



PIAGGIO & C.s.p.a.



SPARE PARTS CATALOGUE



750 X Polizia/PA 2A Serie 750 1995-2001

Chassis prefix: ZGULX154

Engine prefix:

750 X

GU027



Index

Products.....	4
Part reference.....	5
FRAME.....	11
Drawing 33.01 - Side cases.....	11
Drawing 33.02 - Front body.....	13
Drawing 33.03 - Central body - Saddle.....	15
Drawing 33.04 - Bevel gear.....	18
Drawing 33.05 - Dashboard.....	21
Drawing 33.06 - Blue headlight/horns.....	22
Drawing 33.07 - Headlight/Horn.....	24
Drawing 33.08 - Taillight.....	25
Drawing 33.09 - Air filter.....	26
Drawing 33.10 - Swing arm.....	28
Drawing 33.11 - Electrical system.....	29
Drawing 33.12 - Handlebar - Controls.....	31
Drawing 33.13 - Front mudguard.....	33
Drawing 33.14 - Rear body - Mudguard.....	36
Drawing 33.15 - Front bumper kit.....	38
Drawing 33.16 - Cradle-Foot rests-Stands.....	39
Drawing 33.17 - Rear brake caliper.....	41
Drawing 33.18 - Front master cilinder.....	42
Drawing 33.19 - Rear master cylinder.....	43
Drawing 33.20 - Front wheel<LX16499.....	45
Drawing 33.21 - Front wheel LX16500>.....	46
Drawing 33.22 - Rear wheel.....	48
Drawing 33.23 - Front shock absorber.....	49
Drawing 33.24 - Front/rear shock absorber.....	51
Drawing 33.25 - Frame.....	53
Drawing 33.26 - Rome Police top box.....	55
Drawing 33.27 - Digiplex electrical system.....	56
Drawing 33.29 - Fuel supply.....	58
Drawing 33.37 - Exhaust unit.....	59
ENGINE.....	60
Drawing 34.28 - Drive shaft.....	60
Drawing 34.30 - Gear box.....	61
Drawing 34.31 - Carburettor.....	64
Drawing 34.32 - Crankcase.....	66
Drawing 34.33 - Timing system.....	68
Drawing 34.34 - Clutch.....	70
Drawing 34.35 - Bosch ignition.....	72
Drawing 34.36 - Ducati ignition.....	73
Drawing 34.38 - Starter motor.....	74
Drawing 34.39 - Oil pump.....	75



750 X
GU027 - 750 X Polizia/PA 2A Serie 750 1995-2001

Chassis prefix: ZGULX154
Engine prefix:

Drawing 34.40 - Transmission cage.....	76
Drawing 34.41 - Cylinder head.....	78



750 X
GU027 - 750 X Polizia/PA 2A Serie 750 1995-2001

Chassis prefix: ZGULX154
Engine prefix:

Products

Code	Validity
no products	



Code	Drawing Nr.	Pos.	Code	Drawing Nr.	Pos.	Code	Drawing Nr.	Pos.
GU00823923140	33.09	27	GU14712459	34.35	2	GU19113960	33.09	4
GU00823931070	33.05	15	GU14717600	33.27	18	GU19114060	33.09	1
GU00823931077	33.02	10	GU14747455	33.11	6	GU19114360	33.29	10
GU00823931077	33.03	39	GU14768650	33.05	6	GU19114460	33.29	13
GU00823942090	33.09	26	GU14768650	33.07	4	GU19114680	33.29	12
GU00823946060	33.11	25	GU14769200	33.05	13	GU19115580	33.29	5
GU00823950050	33.19	12	GU14931650	34.31	32	GU19146422	34.39	1
GU00823956060	33.03	10	GU14934650	34.31	11	GU19149800	34.39	18
GU01474630	33.14	3	GU17451750	33.15	8	GU19152200	34.39	11
GU03704540	33.11	1	GU17658260	33.13	16	GU19157800	33.19	13
GU03743380	33.06	1	GU17658260	33.17	17	GU19201120	34.40	15
GU10054100	34.30	12	GU17658460	33.17	16	GU19202320	34.40	29
GU10054100	34.30	42	GU17659850	33.17	20	GU19203460	34.34	29
GU10214301	34.30	27	GU17661052	33.19	11	GU19207220	34.40	11
GU10214302	34.30	27	GU17704300	34.35	11	GU19208220	34.40	27
GU10214303	34.30	27	GU17712400	34.35	1	GU19210760	34.34	20
GU10214304	34.30	27	GU17718350	33.27	19	GU19211160	34.30	41
GU10214305	34.30	27	GU17719900	34.35	5	GU19211361	34.30	8
GU10528900	33.04	11	GU17750520	33.11	17	GU19211460	34.30	6
GU10528900	33.04	9	GU17937450	34.31	22	GU19211861	34.30	5
GU10528900	34.32	22	GU18144350	34.39	16	GU19212900	34.30	15
GU10528900	34.40	23	GU18161150	34.39	21	GU19213661	34.30	14
GU10934900	34.31	38	GU18577850	33.02	30	GU19213720	34.30	17
GU12087001	34.34	10	GU18941750	33.15	11	GU19213760	34.34	22
GU12154200	34.32	33	GU19001200	34.32	15	GU19214660	34.30	11
GU12154200	34.40	12	GU19002020	34.32	9	GU19214860	34.30	21
GU12433000	33.16	27	GU19002020	34.40	16	GU19215161	34.30	22
GU12434001	33.16	4	GU19003602	34.32	20	GU19215460	34.30	3
GU12616101	33.21	3	GU19003800	34.32	8	GU19218061	34.30	25
GU12616102	33.21	3	GU19007700	34.32	17	GU19218062	34.30	9
GU12616103	33.21	3	GU19015020	34.32	5	GU19231020	34.30	35
GU12717600	33.11	26	GU19016320	34.32	10	GU19231220	34.30	34
GU12937200	34.31	10	GU19017000	33.16	14	GU19234420	34.30	30
GU13021900	34.32	36	GU19018920	34.39	10	GU19234600	34.30	31
GU13933100	34.31	17	GU19021360	34.41	18	GU19235800	34.40	8
GU13934600	34.31	36	GU19021920	34.41	7	GU19237800	34.40	13
GU13934700	34.31	37	GU19023700	34.41	10	GU19256920	34.30	48
GU13936200	34.31	26	GU19025280	33.37	8	GU19258220	34.30	49
GU13936300	34.31	27	GU19025300	33.27	28	GU19327601	33.10	5
GU13936600	34.31	30	GU19025300	34.41	6	GU19327701	33.10	2
GU13936700	34.31	31	GU19025460	33.37	7	GU19328801	33.10	3
GU13937800	34.31	25	GU19027500	34.33	15	GU19350700	33.04	22
GU13937900	34.31	21	GU19030500	34.33	7	GU19351100	33.04	4
GU14086000	34.34	9	GU19032080	34.33	10	GU19351401	33.04	16
GU14086100	34.34	11	GU19032380	34.33	11	GU19351900	33.04	2
GU14090201	34.34	13	GU19032980	34.33	14	GU19352300	33.04	23
GU14090400	34.34	14	GU19032980	34.41	25	GU19352401	33.04	31
GU14217901	33.19	18	GU19034000	34.33	8	GU19353500	33.04	24
GU14217901	34.34	31	GU19036082	34.33	1	GU19355121	33.04	34
GU14217901	34.34	6	GU19036183	34.33	2	GU19355200	33.04	35
GU14217901	34.40	7	GU19037820	34.41	8	GU19355202	33.04	36
GU14423800	33.09	23	GU19045861	34.33	25	GU19355300	33.04	33
GU14423800	33.16	28	GU19054521	34.33	17	GU19355300	34.30	32
GU14494600	33.24	15	GU19055700	34.33	23	GU19355301	33.04	33
GU14516700	33.24	13	GU19058021	34.33	19	GU19355302	33.04	33
GU14517000	33.24	14	GU19058220	34.33	20	GU19355303	33.04	33
GU14547800	33.10	14	GU19060763	34.28	11	GU19355304	33.04	33
GU14577850	33.02	4	GU19061063	34.28	12	GU19355305	33.04	33
GU14609650	33.11	24	GU19062261	34.28	4	GU19355306	33.04	33
GU14609650	33.12	7	GU19065400	34.28	2	GU19355307	33.04	33
GU14615901	33.10	20	GU19067700	34.28	18	GU19355308	33.04	33
GU14615901	33.21	12	GU19083462	34.34	2	GU19355309	33.04	33
GU14615901	33.24	28	GU19111060	33.09	5	GU19355320	33.04	40
GU14615901	33.26	8	GU19111160	33.09	6	GU19355321	33.04	40
GU14615901	34.28	19	GU19112960	33.09	3	GU19355322	33.04	40
GU14634400	33.22	11	GU19113460	33.09	9	GU19355323	33.04	40
GU14704205	34.35	12	GU19113760	33.09	7	GU19355324	33.04	40



Code	Drawing Nr.	Pos.	Code	Drawing Nr.	Pos.	Code	Drawing Nr.	Pos.
GU19355325	33.04	40	GU23159671	33.09	17	GU27128115	33.37	18
GU19355326	33.04	40	GU23200370	34.40	10	GU27133515	33.12	22
GU19355327	33.04	40	GU23202074	34.30	28	GU27152885	34.32	32
GU19355328	33.04	40	GU23208272	34.40	27	GU27153085	34.39	14
GU19355329	33.04	40	GU23210570	34.30	1	GU27157420	33.09	21
GU19355400	33.04	21	GU23211372	34.30	8	GU27159360	33.09	20
GU19355402	33.04	21	GU23212070	34.30	2	GU27250815	34.30	45
GU19355404	33.04	21	GU23213870	34.40	5	GU27251015	33.19	2
GU19355406	33.04	21	GU23213872	34.40	5	GU27251015	34.30	46
GU19355408	33.04	21	GU23214071	34.30	24	GU27257715	34.30	53
GU19355410	33.04	21	GU23214571	34.30	20	GU27350410	33.04	13
GU19355411	33.04	21	GU23214572	34.30	20	GU27356910	33.22	9
GU19355412	33.04	21	GU23215270	34.30	23	GU27357411	33.04	41
GU19355413	33.04	21	GU23217800	34.33	28	GU27418215	33.25	10
GU19356320	33.04	19	GU23328081	33.10	7	GU27429515	33.16	13
GU19356700	33.04	30	GU23548080	33.10	8	GU274343757	33.13	1
GU19356760	34.34	24	GU23548180	33.10	9	GU27436875	33.13	3
GU19356801	33.04	28	GU23555280	33.24	4	GU27438716	33.14	2
GU19357660	33.04	25	GU23555281	33.24	3	GU27440210	33.16	10
GU19433000	33.09	22	GU23557690	33.24	11	GU27441110	33.16	22
GU19434000	33.16	18	GU23610370	33.20	1	GU27441310	33.16	11
GU19547000	33.10	12	GU23610870	33.20	15	GU27443210	33.16	12
GU19603015	33.12	18	GU23610870	33.21	16	GU27493170	33.23	10
GU19603515	33.12	4	GU23630370	33.22	1	GU27494070	33.23	15
GU19609600	33.03	45	GU23630770	33.22	17	GU27504915	33.24	16
GU19609600	33.09	33	GU23631170	33.22	14	GU27522570	33.23	37
GU19615235	33.20	2	GU23631470	33.22	13	GU27522670	33.23	30
GU19632501	33.22	4	GU23653011	33.17	1	GU27525415	33.23	20
GU19632502	33.22	5	GU23707100	33.06	14	GU27530501	33.23	1
GU19705900	33.25	13	GU23742890	33.06	3	GU27530504	33.23	6
GU19705900	33.27	24	GU23743392	33.06	2	GU27530505	33.23	7
GU19707100	33.11	10	GU23768310	33.05	3	GU27530506	33.23	8
GU19718000	33.19	28	GU23934870	34.31	1	GU27530509	33.23	16
GU19718000	33.29	14	GU23991572	34.40	30	GU27530510	33.23	17
GU19748000	33.11	9	GU25656100	33.17	8	GU27530511	33.23	18
GU19768580	33.05	9	GU25656100	33.18	12	GU27530520	33.23	40
GU19782520	33.25	2	GU25656100	33.19	8	GU27530521	33.23	39
GU19934480	34.31	20	GU27001136	34.32	25	GU27530522	33.23	38
GU19934600	34.31	7	GU27001636	34.32	24	GU27530523	33.23	31
GU19934960	34.31	2	GU27004985	34.32	28	GU27530530	33.23	35
GU19935080	34.31	12	GU27020820	34.41	24	GU27530531	33.23	41
GU19935580	34.31	3	GU27022060	34.41	19	GU27530575	33.23	12
GU19935750	34.31	4	GU27037521	34.33	4	GU27530576	33.23	13
GU19936000	34.31	6	GU27045420	34.33	27	GU27530578	33.23	22
GU19937180	34.31	13	GU27053463	34.33	16	GU27530579	33.23	23
GU19938580	34.31	14	GU27053464	34.33	16	GU27530580	33.23	24
GU19939980	34.31	19	GU27060860	34.28	15	GU27530581	33.23	25
GU19941095	33.15	9	GU27061285	34.28	13	GU27530582	33.23	26
GU19941495	33.15	10	GU27061385	34.28	14	GU27530583	33.23	27
GU20060220	34.28	10	GU27061585	34.28	3	GU27530584	33.23	28
GU20085720	34.34	8	GU27061885	34.28	17	GU27530585	33.23	29
GU20108120	33.27	5	GU27062060	34.28	6	GU27530586	33.23	34
GU20147710	34.39	17	GU27064185	34.28	1	GU27530587	33.23	36
GU20147810	34.39	4	GU27065660	34.28	7	GU27530591	33.23	32
GU20148410	34.39	5	GU27066460	34.28	9	GU27530592	33.23	33
GU20148610	34.39	6	GU27066560	34.28	8	GU27530593	33.19	16
GU20208520	34.30	58	GU27080160	34.34	1	GU27576016	33.02	6
GU20236220	34.30	57	GU27084460	34.34	4	GU27604815	33.18	5
GU20354621	33.04	18	GU27103415	33.03	28	GU27609685	33.09	28
GU20716720	33.27	11	GU27103515	33.03	30	GU27611210	33.20	4
GU20721610	33.27	6	GU27113985	33.09	24	GU27616110	33.20	14
GU20909920	33.14	25	GU27117775	33.12	11	GU27616110	33.22	16
GU20999520	34.30	38	GU27121915	33.37	5	GU27616111	33.20	14
GU20999520	34.30	60	GU27122915	33.37	4	GU27616111	33.22	16
GU23093870	33.12	16	GU27123415	33.37	16	GU27616112	33.20	14
GU23112674	33.29	1	GU27123915	33.37	3	GU27616112	33.22	16
GU23112675	33.29	2	GU27126615	33.37	17	GU27616113	33.20	14



Code	Drawing Nr.	Pos.	Code	Drawing Nr.	Pos.	Code	Drawing Nr.	Pos.
GU27616113	33.22	16	GU29577860	33.01	4	GU31101930	33.03	15
GU27616310	33.20	10	GU29703800	34.35	6	GU31101931	33.03	15
GU27631250	33.22	15	GU29711460	34.36	5	GU31103835	33.03	41
GU27633910	33.22	8	GU29711960	34.36	11	GU31105330	33.03	4
GU27634110	33.04	39	GU30135200	33.12	20	GU31105830	33.03	5
GU27635811	33.17	3	GU30251025	33.19	2	GU31106630	33.03	11
GU27651315	33.13	15	GU304344101	33.13	1	GU31110715	33.09	8
GU27652350	33.18	13	GU30477101	33.11	14	GU31110815	33.09	10
GU27654650	33.18	14	GU30477200	33.11	19	GU31111265	33.09	29
GU27657110	33.17	6	GU30530510	34.38	3	GU31112630	33.29	1
GU27658215	33.24	18	GU30530511	34.38	4	GU31112631	33.29	2
GU27658415	33.24	17	GU30530512	34.38	9	GU31112965	33.09	31
GU27658575	33.18	10	GU30602500	33.12	13	GU31114165	33.09	11
GU27659050	33.18	17	GU30603800	33.12	2	GU31115037	33.29	3
GU27659150	33.18	18	GU30605560	33.12	12	GU31115038	33.29	4
GU27659515	33.19	14	GU30605680	33.18	4	GU31117565	33.12	9
GU27661115	33.18	3	GU30606900	33.12	3	GU31117715	33.12	11
GU27663615	33.18	20	GU30607910	33.12	10	GU31117715	33.12	11
GU27664075	33.18	6	GU30611460	33.21	10	GU31117815	33.12	11
GU27667515	33.19	3	GU30613760	33.21	18	GU31120730	33.37	1
GU27668015	33.19	7	GU30658561	33.17	6	GU31120731	33.37	2
GU27675016	33.19	5	GU30660180	33.18	1	GU31132865	33.12	21
GU27677015	33.19	1	GU30667030	33.19	6	GU31153481	33.09	16
GU27704815	33.11	3	GU30714201	34.36	3	GU31158250	34.39	15
GU27740515	33.07	1	GU30716500	33.27	10	GU31192530	33.02	14
GU27743715	33.07	14	GU30717410	33.27	20	GU31200231	34.40	17
GU27760410	33.05	12	GU30730711	34.38	1	GU31200431	34.34	26
GU27761515	33.05	2	GU30732200	33.11	13	GU31200831	34.40	1
GU27767275	33.05	4	GU30732400	33.11	16	GU31206500	33.04	10
GU27768185	33.05	11	GU30732400	33.27	23	GU31206500	34.40	22
GU27900015	33.14	24	GU30732560	33.11	15	GU31350231	33.10	1
GU27933720	34.31	18	GU30732560	33.27	22	GU31350331	33.04	1
GU27934315	34.31	8	GU30738060	33.12	19	GU31351200	33.04	6
GU27935960	34.31	5	GU30738860	33.12	5	GU31351200	34.40	24
GU27999060	34.32	35	GU30743700	33.07	14	GU31400136	33.25	1
GU28004950	34.32	30	GU30749860	33.18	7	GU31400137	33.25	1
GU28103260	33.03	34	GU30756100	33.11	18	GU31420331	33.16	1
GU28113650	33.09	2	GU30769430	33.12	23	GU31422136	33.16	2
GU28157950	33.03	8	GU30769830	33.12	24	GU31430335	33.16	3
GU28157950	33.03	9	GU30970200	33.14	27	GU31432036	33.16	17
GU28238261	34.30	59	GU31000331	34.32	1	GU31433835	33.06	12
GU28252060	33.16	24	GU31001431	34.32	14	GU31434334	33.13	1
GU28258160	34.30	52	GU31003431	34.32	26	GU31434335	33.13	1
GU28461300	33.03	23	GU31003531	34.32	19	GU31434336	33.13	1
GU28461345	33.03	27	GU31003766	33.04	8	GU31434339	33.13	1
GU28462645	33.24	26	GU31003766	34.32	21	GU31434735	33.13	22
GU28500745	33.24	25	GU31003766	34.34	36	GU31436635	33.13	2
GU28584845	33.01	10	GU31003766	34.40	26	GU31436636	33.13	2
GU28613560	33.21	19	GU31016050	34.39	20	GU31436637	33.13	2
GU28614100	33.21	14	GU31021900	34.41	12	GU31436835	33.13	3
GU28618860	33.21	20	GU31022131	34.41	1	GU31437035	33.14	1
GU28659700	33.17	21	GU31022231	34.41	2	GU31439235	33.25	17
GU28660278	33.18	2	GU31023531	34.41	9	GU31439335	33.25	16
GU28704545	33.11	1	GU31037015	34.33	13	GU31439937	33.01	22
GU28707050	33.11	2	GU31038015	34.33	5	GU31450335	33.15	1
GU28727200	33.11	7	GU31045015	34.33	26	GU31450435	33.15	2
GU28742560	33.11	12	GU31060131	34.41	17	GU31460537	33.03	22
GU28745761	33.05	23	GU31060616	34.28	16	GU31460935	33.14	5
GU28747449	33.11	6	GU31064165	34.28	1	GU31463635	33.25	15
GU28747960	33.11	11	GU31067965	34.34	5	GU31463935	33.01	2
GU28917570	33.02	12	GU31093035	33.12	15	GU31464330	33.25	26
GU28917571	33.02	12	GU311002301	33.03	1	GU314664301	33.14	4
GU28923400	33.14	7	GU31100235	33.03	1	GU31466435	33.14	4
GU28929940	33.14	25	GU31100236	33.03	1	GU31466436	33.14	4
GU29108550	33.03	8	GU31100237	33.03	1	GU31466439	33.14	4
GU29217960	34.36	7	GU31100238	33.03	1	GU31466837	33.13	3
GU29487762	33.26	2	GU31100239	33.03	1	GU31472635	33.01	1



Code	Drawing Nr.	Pos.	Code	Drawing Nr.	Pos.	Code	Drawing Nr.	Pos.
GU31476235	33.03	19	GU31593039	33.12	17	GU31934460	34.31	20
GU314762351	33.03	19	GU31594136	33.12	26	GU31945435	33.03	40
GU31476236	33.03	19	GU31594236	33.12	25	GU31991036	34.32	39
GU31476237	33.03	19	GU31600335	33.12	1	GU31991037	34.32	39
GU31476238	33.03	19	GU31610365	33.21	1	GU31999565	34.32	34
GU31476239	33.03	19	GU31613335	33.20	5	GU31999581	34.39	8
GU31476335	33.03	21	GU31613335	33.22	2	GU35214300	33.10	13
GU314763351	33.03	21	GU31613635	33.21	17	GU35755780	33.05	20
GU31476336	33.03	21	GU31614130	33.20	9	GU37703805	34.36	2
GU31476337	33.03	21	GU31615260	33.21	5	GU37712405	34.36	1
GU31476338	33.03	21	GU31619865	33.21	9	GU39238100	34.30	43
GU31476339	33.03	21	GU31620365	33.21	4	GU39611601	33.20	13
GU31477435	33.25	20	GU31633330	33.22	10	GU39611601	33.21	2
GU31479430	33.25	21	GU31634130	33.17	5	GU39741150	33.19	29
GU31483935	33.01	7	GU31634230	33.17	4	GU39762501	33.05	14
GU31485635	33.01	8	GU31654660	33.17	2	GU39937600	34.31	24
GU31485735	33.01	5	GU31658330	33.24	23	GU43934000	34.31	35
GU31485736	33.01	5	GU31659160	33.17	12	GU45212400	33.02	31
GU31485737	33.01	5	GU31659260	33.17	13	GU50740600	33.03	20
GU31485738	33.01	5	GU31659260	33.18	19	GU51105401	33.03	12
GU31485739	33.01	5	GU31659735	33.17	21	GU51105600	33.03	14
GU31486035	33.01	9	GU31659760	33.13	21	GU51105900	33.03	13
GU31487037	33.26	5	GU31667635	33.19	4	GU51921400	33.03	36
GU31487137	33.26	6	GU31712365	34.36	9	GU55234700	34.40	20
GU31487637	33.26	1	GU31717061	33.27	21	GU55611700	33.21	24
GU31487836	33.26	3	GU31721465	33.27	1	GU61013800	33.02	27
GU31487837	33.26	4	GU31722065	33.27	7	GU61013800	33.03	7
GU31488437	33.26	7	GU31723835	33.27	2	GU61013800	33.08	12
GU31489935	33.01	6	GU31728030	33.02	8	GU61013800	33.11	21
GU31490236	33.24	1	GU31735330	33.05	17	GU61013800	33.13	17
GU31490237	33.24	1	GU31735630	33.05	18	GU61013800	33.15	13
GU31501635	33.05	1	GU31743335	33.06	1	GU61013800	33.29	9
GU31501730	33.05	16	GU31743340	33.06	1	GU61013800	33.37	10
GU31502335	33.24	24	GU31743341	33.06	1	GU61025100	33.37	6
GU31522537	33.23	37	GU31743535	33.06	4	GU61027200	34.41	23
GU31522637	33.23	30	GU31743537	33.06	4	GU61036801	34.41	3
GU31526336	33.23	14	GU31743537	33.06	5	GU61038100	34.33	6
GU31526636	33.23	21	GU31743635	33.06	5	GU61054900	34.33	18
GU31540231	33.10	11	GU31743735	33.06	9	GU61108400	33.09	19
GU31544160	33.10	23	GU31744035	33.06	13	GU61108500	33.09	25
GU31550235	33.24	2	GU31745735	33.05	21	GU61108500	33.27	27
GU31575335	33.02	1	GU31745735	33.06	11	GU61238200	34.30	39
GU315753351	33.02	1	GU31746035	33.06	8	GU61270300	33.04	26
GU31575336	33.02	1	GU31746036	33.06	10	GU61270300	33.17	10
GU31575339	33.02	1	GU31747136	33.11	4	GU61270300	34.32	6
GU31576135	33.07	17	GU31747137	33.11	4	GU61270300	34.34	35
GU31577235	33.02	2	GU31747138	33.11	4	GU61270300	34.41	21
GU31578534	33.02	13	GU31747236	33.11	5	GU61609630	33.11	24
GU31578535	33.02	13	GU31747237	33.11	5	GU62436500	33.17	15
GU315785351	33.02	13	GU31747239	33.11	5	GU65663500	33.19	10
GU31578536	33.02	13	GU31747330	33.11	23	GU65758970	33.05	8
GU31578539	33.02	13	GU31750630	33.07	5	GU65933600	34.31	15
GU31578636	33.02	11	GU31750630	33.08	4	GU65933700	34.31	28
GU31578636	33.02	11	GU31753230	33.07	9	GU66103415	33.25	3
GU31583935	33.13	19	GU31753730	33.07	6	GU66103915	33.03	2
GU31584435	33.13	9	GU31753730	33.08	6	GU66109715	33.03	3
GU31584436	33.13	9	GU31756937	33.07	21	GU66478610	33.02	16
GU31584439	33.13	9	GU31762561	33.21	22	GU66478610	33.03	33
GU31584530	33.13	8	GU31766930	33.05	5	GU66478610	33.13	12
GU31584535	33.13	8	GU31900035	33.14	24	GU66478610	33.14	14
GU31584539	33.13	8	GU31917330	33.03	37	GU66500510	33.23	4
GU31584630	33.13	14	GU31917535	33.05	22	GU66530501	33.23	3
GU31592935	33.12	6	GU31920535	33.13	24	GU66530504	33.23	9
GU31592937	33.12	6	GU31922235	33.02	33	GU66530505	33.23	11
GU31592939	33.12	6	GU31922530	33.05	19	GU66740915	33.08	1
GU31593036	33.12	17	GU31923935	33.05	25	GU89000001	33.03	1
GU31593037	33.12	17	GU31926035	33.05	24	GU89000002	33.03	19

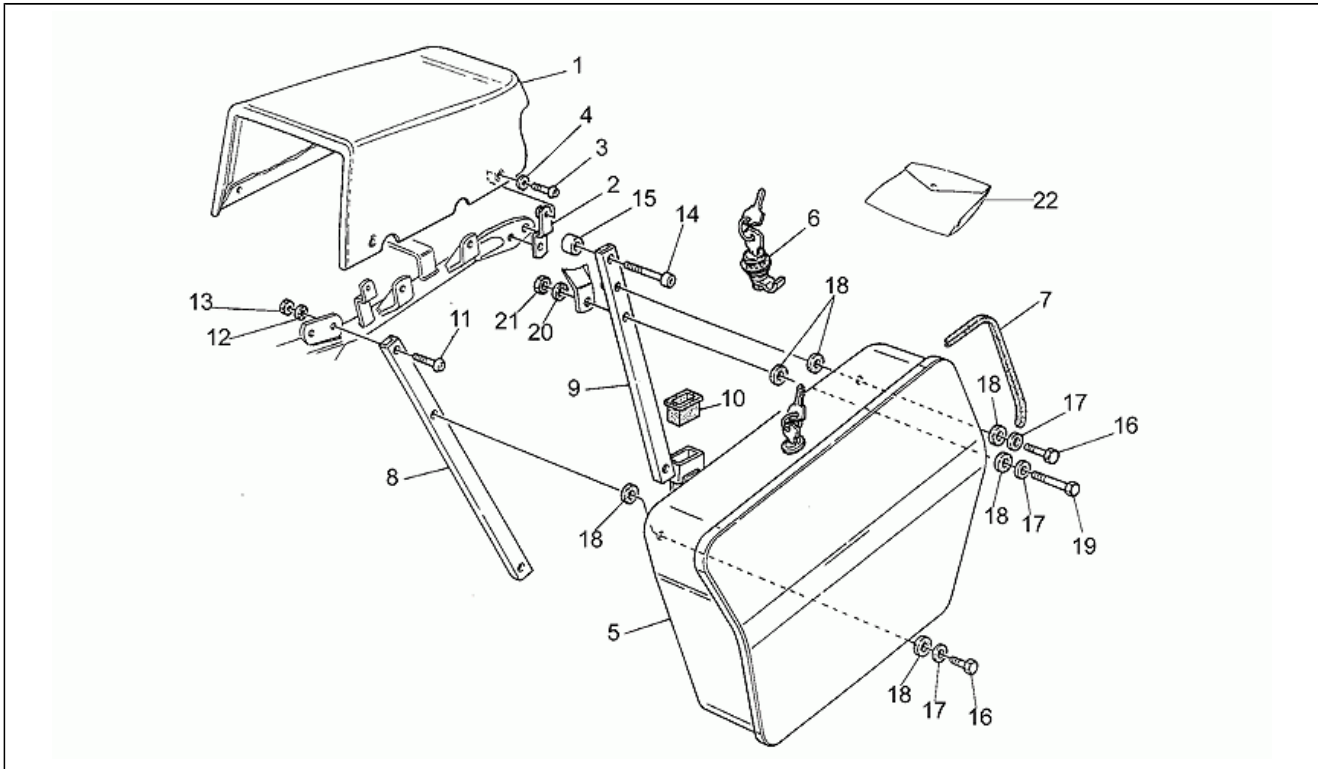


Code	Drawing Nr.	Pos.	Code	Drawing Nr.	Pos.	Code	Drawing Nr.	Pos.
GU89000003	33.03	21	GU92201220	34.30	16	GU92630206	33.13	20
GU89000005	33.13	1	GU92201225	34.34	28	GU92630206	33.14	26
GU89000006	33.13	8	GU92204215	34.40	2	GU92630206	33.27	4
GU89000007	33.13	9	GU92204217	33.20	3	GU92630206	34.35	7
GU89000008	33.12	17	GU92204217	33.22	7	GU92630210	33.16	26
GU89000009	33.12	6	GU92204218	33.22	6	GU92630506	33.03	44
GU89000010	33.02	13	GU92204221	33.21	6	GU92630508	33.21	13
GU89000012	33.02	1	GU92218417	34.30	10	GU92630508	33.25	29
GU89000013	33.14	4	GU92230320	34.30	13	GU92660601	33.02	17
GU89000125	33.01	5	GU92234716	34.30	26	GU92660601	34.36	14
GU89000368	33.02	13	GU92249220	33.04	32	GU92660801	33.03	29
GU90271018	34.33	12	GU92249223	33.04	20	GU92680060	33.02	28
GU90271020	34.30	33	GU92249225	33.24	12	GU92700071	33.19	30
GU90271022	33.21	21	GU92251023	34.30	7	GU92750061	33.02	32
GU90271117	34.30	29	GU92252210	34.39	3	GU92781082	33.10	19
GU90271121	34.30	19	GU92252235	33.04	5	GU92781082	33.37	9
GU90271127	34.30	4	GU92295708	33.18	8	GU93110060	33.01	18
GU90272023	33.10	4	GU92296726	34.39	7	GU93110060	33.02	7
GU90272075	34.34	3	GU92297909	34.30	36	GU93110060	33.13	13
GU90280005	33.25	25	GU92601002	33.18	22	GU93110060	33.14	12
GU90353009	34.41	4	GU92601206	33.19	21	GU93180105	33.10	21
GU90353029	34.33	24	GU92601206	33.19	25	GU93180220	34.34	27
GU90353030	33.04	17	GU92601206	33.37	20	GU93180245	34.41	22
GU90400616	34.34	21	GU92601210	33.16	16	GU93301175	33.11	8
GU90401530	34.32	11	GU92602204	33.14	11	GU93301175	33.27	25
GU90402840	34.32	18	GU92602206	33.01	21	GU93301315	33.06	15
GU90402841	34.40	3	GU92602206	33.02	21	GU93305018	33.09	18
GU90403245	34.34	19	GU92602206	33.12	14	GU93305032	33.29	11
GU90403247	33.04	38	GU92602206	34.30	54	GU93305074	33.10	10
GU90403547	33.04	3	GU92602208	33.01	13	GU93450105	33.07	3
GU90405367	34.32	13	GU92602208	33.03	35	GU93450120	33.05	7
GU90407590	33.04	15	GU92602208	34.32	7	GU93450127	33.07	7
GU90706035	33.02	5	GU92602208	34.34	25	GU93450127	33.08	5
GU90706076	33.04	42	GU92602208	34.38	12	GU93450140	33.05	10
GU90706111	34.39	22	GU92602210	33.10	18	GU93450224	33.08	3
GU90706140	34.40	4	GU92602210	33.25	7	GU93450231	33.07	2
GU90706141	33.19	31	GU92602316	33.20	12	GU94321067	34.40	21
GU90706141	34.30	56	GU92602316	33.22	12	GU94321099	33.10	6
GU90706170	34.34	12	GU92602406	34.33	9	GU94321105	34.34	16
GU90706178	34.36	8	GU92602411	33.07	12	GU94322215	33.16	7
GU90706188	33.04	29	GU92602411	33.08	8	GU95000204	33.14	9
GU90706188	34.30	18	GU92602411	33.24	10	GU95000205	33.03	18
GU90706203	33.04	7	GU92602508	34.34	15	GU95000205	33.09	14
GU90706203	34.40	25	GU92602510	34.39	19	GU95000206	33.02	24
GU90706235	34.34	23	GU92602512	34.40	14	GU95000206	33.07	16
GU90706282	34.32	29	GU92602516	33.21	8	GU95000206	33.13	5
GU90706444	34.32	27	GU92603010	34.41	11	GU95000206	33.14	17
GU90706552	33.04	37	GU92603516	34.36	4	GU95000206	33.17	19
GU90714082	33.09	32	GU92630104	33.27	14	GU95000206	33.27	26
GU91180627	34.35	15	GU92630105	33.06	7	GU95000206	33.37	13
GU91180721	33.15	14	GU92630105	33.09	15	GU95000206	34.30	55
GU91180802	33.15	7	GU92630105	34.35	16	GU95000206	34.35	14
GU91180802	33.24	20	GU92630106	33.07	18	GU95000208	33.25	12
GU91180817	33.01	15	GU92630106	33.12	8	GU95000208	33.25	27
GU91180817	33.16	21	GU92630106	33.13	7	GU95000210	33.16	8
GU91181003	33.18	21	GU92630106	33.14	16	GU95001206	33.13	5
GU91181114	33.16	6	GU92630106	33.27	17	GU95001206	33.13	6
GU91181114	33.19	15	GU92630106	34.30	44	GU95001206	34.36	13
GU91181407	33.24	5	GU92630108	33.14	22	GU95004204	33.25	18
GU91182007	33.21	23	GU92630108	33.16	23	GU95004204	33.27	13
GU91182010	34.30	40	GU92630108	33.17	14	GU95004205	33.27	9
GU91182027	33.21	15	GU92630108	33.20	8	GU95004206	33.19	23
GU91551062	33.08	9	GU92630108	33.25	28	GU95004206	33.27	16
GU91551131	33.14	6	GU92630108	33.37	21	GU95004206	34.39	23
GU91600450	34.36	10	GU92630110	33.16	9	GU95004208	33.15	6
GU92201070	33.04	14	GU92630206	33.06	7	GU95004208	33.20	7
GU92201120	34.40	28	GU92630206	33.11	22	GU95004208	33.25	30



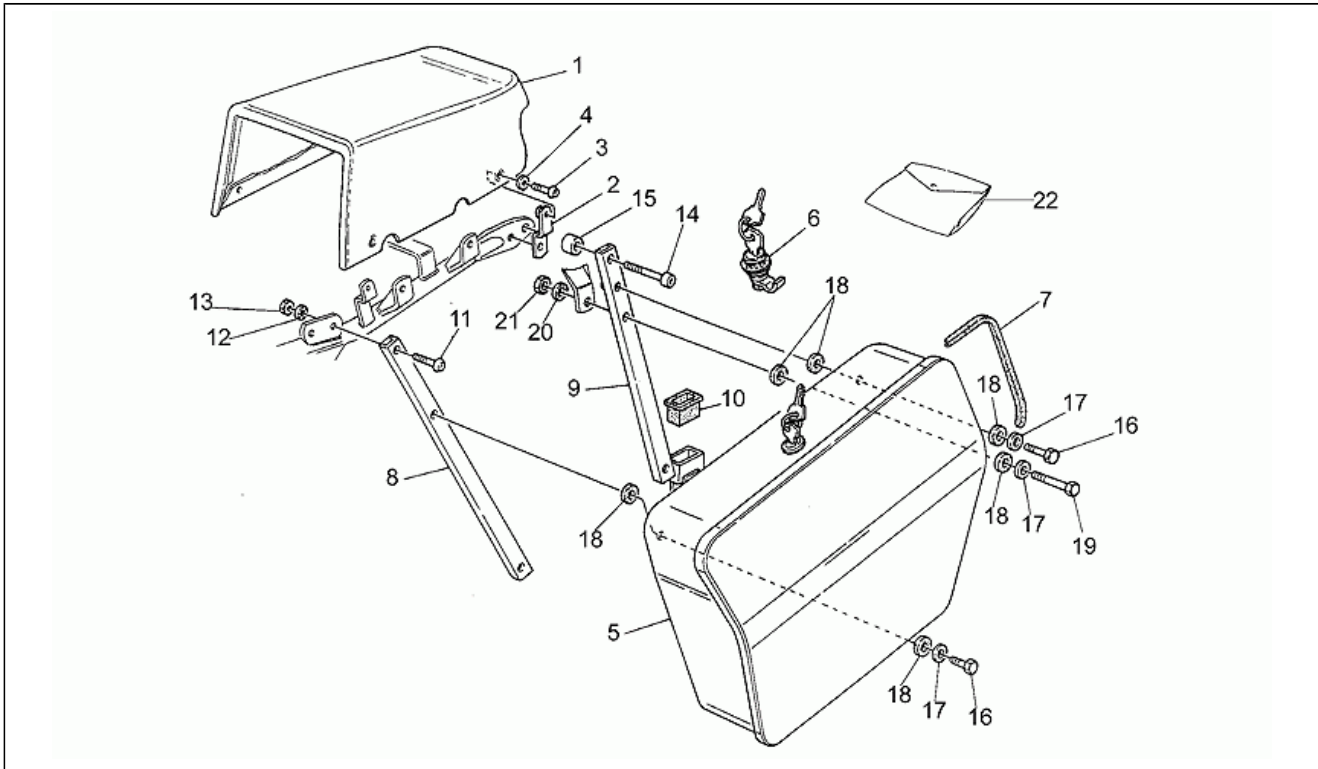
Code	Drawing Nr.	Pos.	Code	Drawing Nr.	Pos.	Code	Drawing Nr.	Pos.
GU95004208	34.38	11	GU96451430	34.32	3	GU98610330	34.34	32
GU95004210	33.10	17	GU96451560	34.32	2	GU98610330	34.40	18
GU95004210	34.34	37	GU96506042	34.41	5	GU98610335	34.32	23
GU95004217	33.20	11	GU96508055	33.04	12	GU98610335	34.40	18
GU95004217	33.21	7	GU96508055	34.32	4	GU98610345	33.13	4
GU95007208	33.10	22	GU96508145	34.41	20	GU98610435	34.34	33
GU95007210	33.07	10	GU96510181	34.41	15	GU98610435	34.40	19
GU95007210	33.16	15	GU96510214	34.41	14	GU98610445	33.01	14
GU95007210	33.24	6	GU98052245	34.35	13	GU98610445	33.16	20
GU95007210	33.25	9	GU98052325	34.30	50	GU98610450	34.34	34
GU95021105	33.03	17	GU98052350	33.13	4	GU98610550	33.15	3
GU95021105	33.09	13	GU98052435	34.38	10	GU98612312	33.13	18
GU95021105	34.35	4	GU98052460	33.21	11	GU98612325	33.29	8
GU95021106	33.01	20	GU98052470	33.20	6	GU98612425	33.17	9
GU95021106	33.02	23	GU98054116	33.25	32	GU98612425	33.22	3
GU95021106	33.03	26	GU98054214	33.09	12	GU98612525	33.25	5
GU95021106	33.19	24	GU98054214	33.19	26	GU98620222	33.27	8
GU95021106	33.37	14	GU98054216	33.03	16	GU98620245	34.35	3
GU95021106	34.30	51	GU98054314	34.34	30	GU98620265	34.36	6
GU95021108	33.01	12	GU98054314	34.39	12	GU98620335	33.23	19
GU95021108	33.02	20	GU98054316	33.03	24	GU98620335	33.24	19
GU95021110	33.07	11	GU98054316	34.34	7	GU98620335	34.39	9
GU95021110	33.08	7	GU98054320	33.01	16	GU98620345	33.19	17
GU95021110	33.25	31	GU98054320	33.14	19	GU98620350	33.15	12
GU95100059	33.19	27	GU98054322	33.07	15	GU98620360	33.27	15
GU95100116	33.29	7	GU98054322	33.08	10	GU98620440	33.24	21
GU95100118	33.08	11	GU98054340	33.01	19	GU98620545	33.10	16
GU95100118	34.35	10	GU98054340	33.07	20	GU98622310	33.11	20
GU95100119	33.02	18	GU98054416	33.25	11	GU98622314	34.40	6
GU95100120	33.06	16	GU98054535	33.16	5	GU98622314	34.40	9
GU95100121	33.03	43	GU98072330	33.19	22	GU98622316	33.03	6
GU95100121	33.07	13	GU98072555	33.25	14	GU98622320	34.36	12
GU95100121	33.13	6	GU98072565	33.16	19	GU98622416	33.02	25
GU95100139	33.03	25	GU98074312	33.13	23	GU98622420	33.25	4
GU95100141	33.01	17	GU98074316	33.37	19	GU98622430	33.03	31
GU95100141	33.07	19	GU98074320	33.19	20	GU98812416	33.24	9
GU95100141	33.14	15	GU98074420	33.37	12	GU98812420	33.24	7
GU95100235	33.14	21	GU98074530	33.18	15	GU98812420	33.25	19
GU95100250	33.17	11	GU98110202	33.25	8	GU98820435	33.14	20
GU95100250	33.18	21	GU98200214	33.18	9	GU98822316	34.33	21
GU95100251	33.17	11	GU98200410	33.14	8	GU99105117	33.16	25
GU95100251	33.18	21	GU98230612	33.17	18	GU99200413	33.09	30
GU95100256	33.24	22	GU98230612	34.35	8	GU99210319	33.02	19
GU95100256	33.37	11	GU98230616	33.03	32	GU99220316	33.02	3
GU95100337	33.16	29	GU98230616	33.13	10			
GU95100523	33.10	24	GU98230619	33.02	26			
GU95100709	34.32	31	GU98230622	33.13	11			
GU95120105	33.15	4	GU98230622	33.27	3			
GU95120105	33.25	6	GU98230630	33.14	18			
GU95129080	33.14	10	GU98230822	33.15	5			
GU95129100	34.35	9	GU98230822	33.24	27			
GU95129115	34.33	22	GU98230830	33.01	11			
GU95129180	33.18	16	GU98230830	33.26	9			
GU95129180	34.32	38	GU98270621	33.02	29			
GU95129180	34.41	13	GU98290513	33.06	6			
GU95129260	33.19	19	GU98290516	33.06	6			
GU95129260	34.30	47	GU98290608	33.37	15			
GU95187006	34.39	13	GU98310611	33.29	6			
GU95401218	33.25	24	GU98326014	33.02	15			
GU95500222	33.10	25	GU98326016	33.01	3			
GU95500222	34.34	18	GU98326016	33.03	42			
GU95520316	34.30	37	GU98326016	33.14	13			
GU95780271	34.34	17	GU98610125	33.27	12			
GU95990027	33.19	9	GU98610325	34.32	16			
GU95990028	33.17	7	GU98610325	34.41	16			
GU95990028	33.18	11	GU98610330	33.15	15			
GU96451316	33.02	22	GU98610330	34.32	37			

Assembly	FRAME
Code	33.01
Description	Side cases
Revision	1



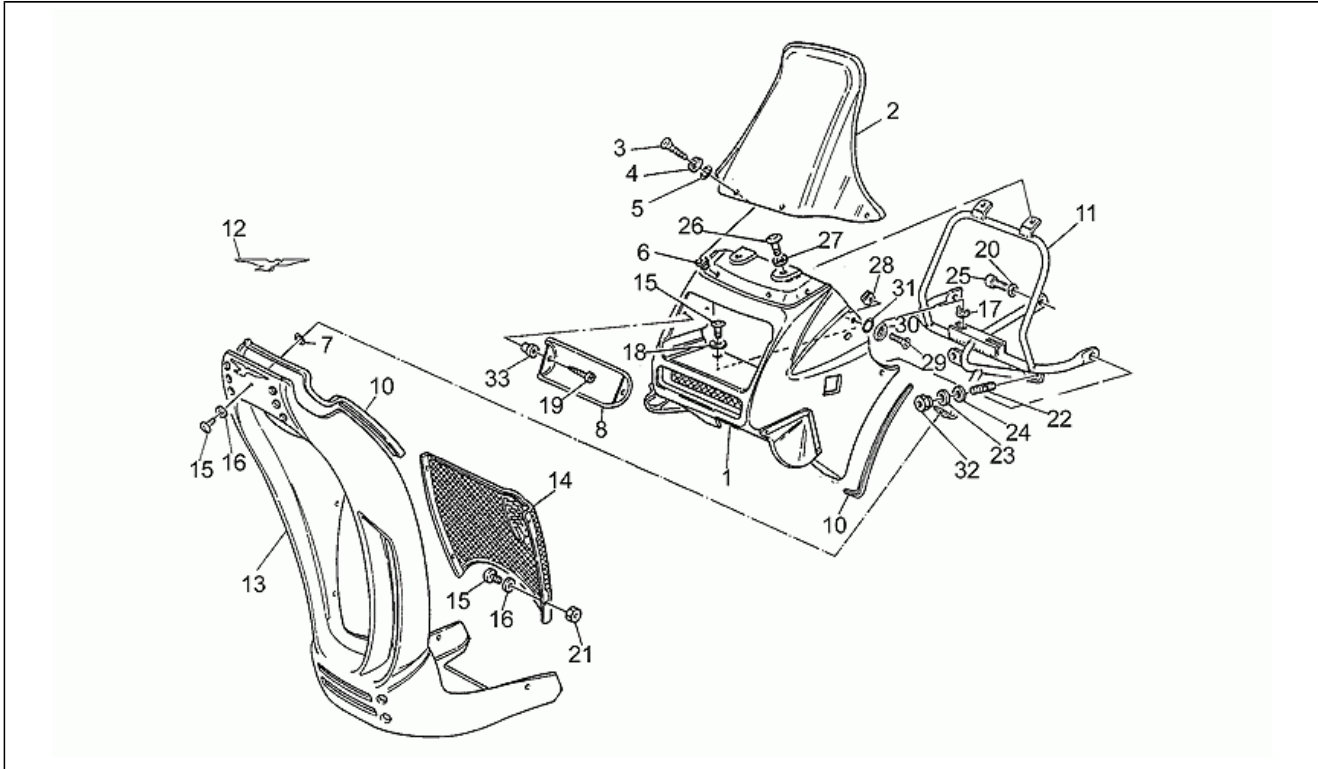
Pos.	Code	Description	Q.ty	Variants
1	GU31472635	Radio cover, blank	1	
2	GU31463935	Clamp	2	Color:Police Cyan[p.c]
3	GU98326016	Screw	4	Color:Milk white 410[m.w]
4	GU29577860	Washer	4	
5	GU31485735	Side case assy.,sky blue/white	1	Color:Police Cyan[p.c]
5	GU31485736	Side case assy., white	1	Color:Milk white 410[m.w]
5	GU31485737	Side case assy.,wh./blue band	1	Color:Milk white 410[m.w]
5	GU31485738	Side case assy.,wh./black band	1	Color:Milk white 410[m.w]
5	GU31485739	Side case assy., navy blue	1	Color: Carabinieri Blue 240[c.b] Technical Specifications:See spare parts comm.n.003 of 1998[00398N]
5	GU89000125	Side case assy., navy blue	1	Color: Roma Blue 230[r.b] Technical Specifications:See spare parts comm.n.003 of 1998[00398N]
6	GU31489935	Lock	1	
7	GU31483935	Gasket	1	
8	GU31485635	Front bracket	1	
9	GU31486035	Rear bracket	1	
10	GU28584845	Rubber spacer	1	
11	GU98230830	Screw	1	
12	GU95021108	Spring washer	2	
13	GU92602208	Nut M8X1,25	2	
14	GU98610445	Screw	1	
15	GU91180817	Spacer	1	
16	GU98054320	Hex screw M6X20	4	
17	GU95100141	Washer 6,4x12x1,2	5	
18	GU93110060	Rubber spacer	10	
19	GU98054340	Screw	1	
20	GU95021106	Notched washer	1	

Assembly	FRAME
Code	33.01
Description	Side cases
Revision	1



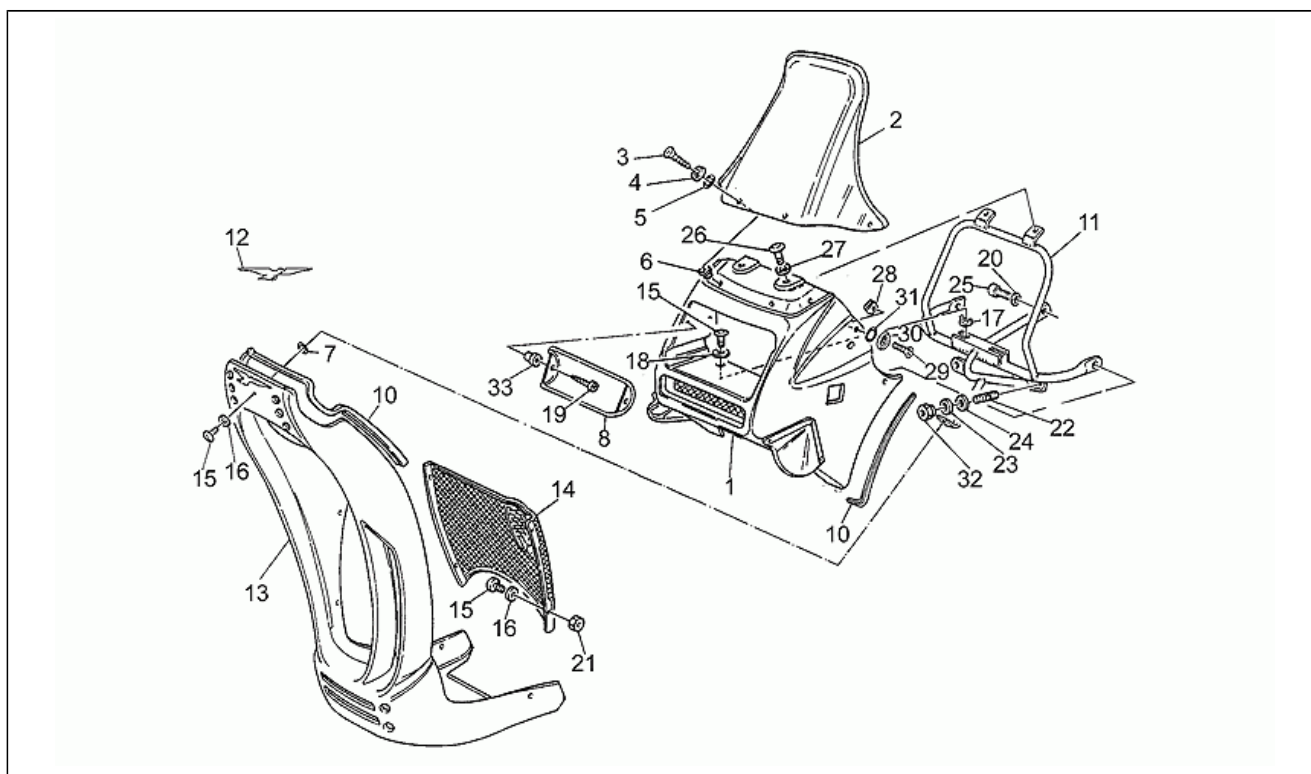
Pos.	Code	Description	Q.ty	Variants
21	GU92602206	Nut	1	
22	GU31439937	Safety closing kit	1	Technical Specifications: See spare parts comm.n.038 of 2000[03800N], From frame LX16500[T2]

Assembly	FRAME
Code	33.02
Description	Front body
Revision	1



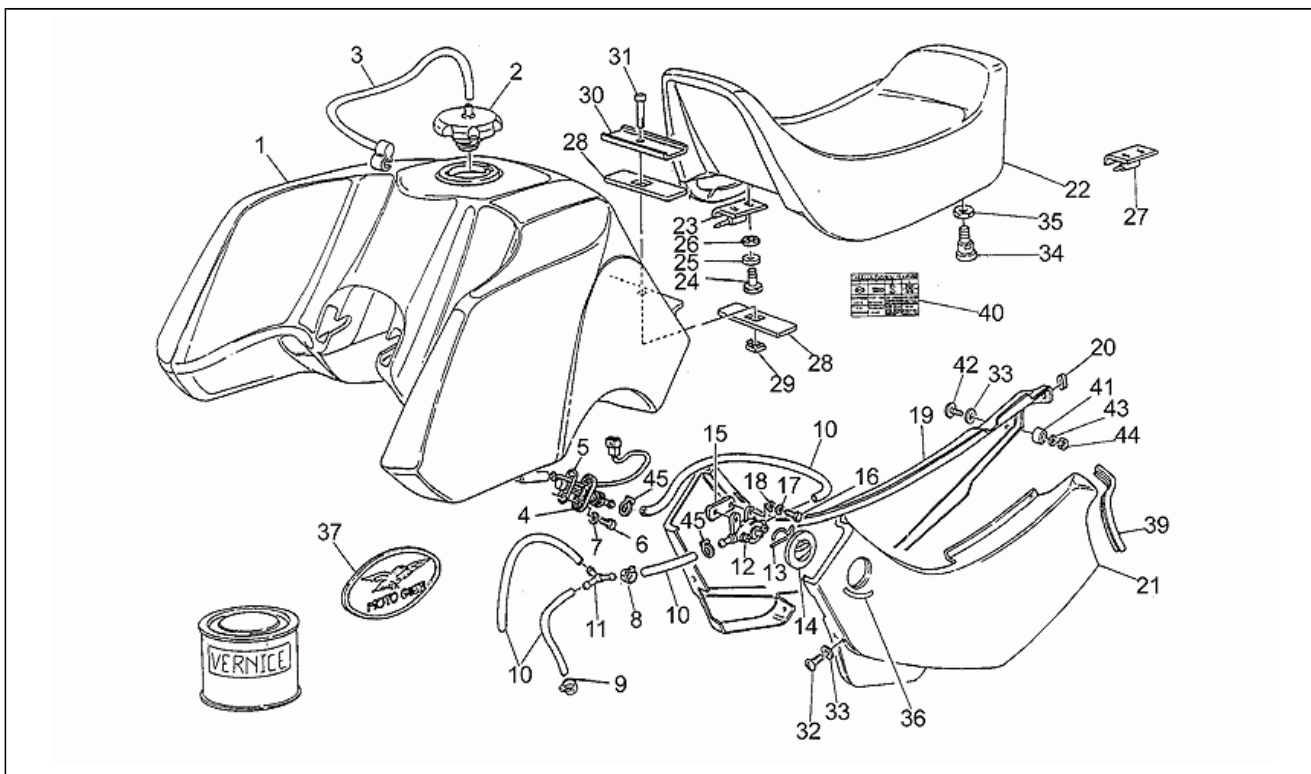
Pos.	Code	Description	Q.ty	Variants
1	GU31575335	Windshield	1	Color:Police Cyan[p.c]
1	GU315753351	Headlight windshield blank	1	Color:Blank[gr]
1	GU31575336	Windshield	1	Color:Milk white 410[m.w]
1	GU31575339	Windshield	1	Color: Carabinieri Blue 240[c.b] Technical Specifications:See spare parts comm.n.003 of 1998[00398N]
1	GU89000012	Windshield	1	Color: Roma Blue 230[r.b] Technical Specifications:See spare parts comm.n.003 of 1998[00398N]
2	GU31577235	Windscreen	1	
3	GU99220316	Self-tap screw	2	
4	GU14577850	Washer	2	
5	GU90706035	O-ring	2	
6	GU27576016	Threaded insert	2	
7	GU93110060	Rubber spacer	5	
8	GU31728030	Grid	1	
10	GU00823931077	Gasket	1	
11	GU31578636	Winndshield support	1	Technical Specifications:For generator/regolator DUCATI[D]
11	GU31578636	Winndshield support	1	
12	GU28917570	"Aquila" decal, white	1	
12	GU28917571	"Aquila" decal, gold	1	
13	GU31578534	Pillar	1	Color: Blank[gr] Technical Specifications:See spare parts comm.n.038 of 2000[03800N], From frame LX16500[T2]
13	GU31578535	Pillar	1	Color: Police Cyan[p.c] Technical Specifications:Until frame <LX16499[T1]
13	GU315785351	Pillar	1	Color: Blank[gr] Technical Specifications:Until frame <LX16499[T1]
13	GU31578536	Pillar	1	Color:Milk white 410[m.w]
13	GU31578539	Pillar	1	Color: Carabinieri Blue 240[c.b]

Assembly	FRAME
Code	33.02
Description	Front body
Revision	1



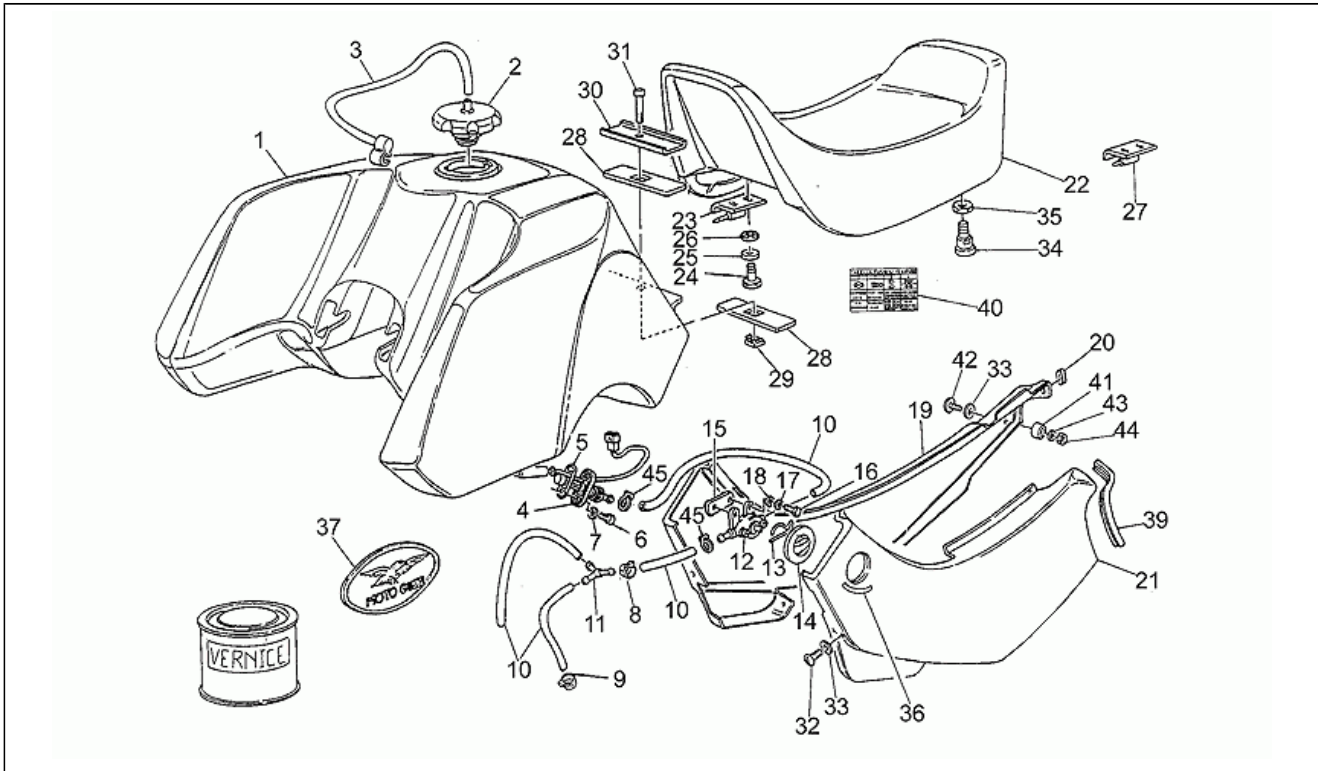
Pos.	Code	Description	Q.ty	Variants
				Technical Specifications: See spare parts comm.n.003 of 1998[00398N]
13	GU89000010	Pillar	1	Color: Roma Blue 230[r.b] Technical Specifications: See spare parts comm.n.003 of 1998[00398N]
13	GU89000368	Pillar	1	Color: Police Cyan[p.c] Technical Specifications: See spare parts comm.n.038 of 2000[03800N], From frame LX16500[T2]
14	GU31192530	Grid	1	
15	GU98326014	Screw	13	
16	GU66478610	Nylon washer 6X17X1	9	
17	GU92660601	Captive nut	2	
18	GU95100119	Washer 6,25X11X1	2	
19	GU99210319	Self-tap screw	2	
20	GU95021108	Spring washer	2	
21	GU92602206	Nut	4	
22	GU96451316	Stud bolt	2	
23	GU95021106	Notched washer	2	
24	GU95000206	Washer	2	
25	GU98622416	Screw	2	
26	GU98230619	Hex socket screw M6x18	4	
27	GU61013800	Special washer	4	
28	GU92680060	Clip	4	
29	GU98270621	Screw	2	
30	GU18577850	Washer	2	
31	GU45212400	O-ring	2	
32	GU92750061	Nut	2	
33	GU31922235	Block	2	

Assembly	FRAME
Code	33.03
Description	Central body - Saddle
Revision	1



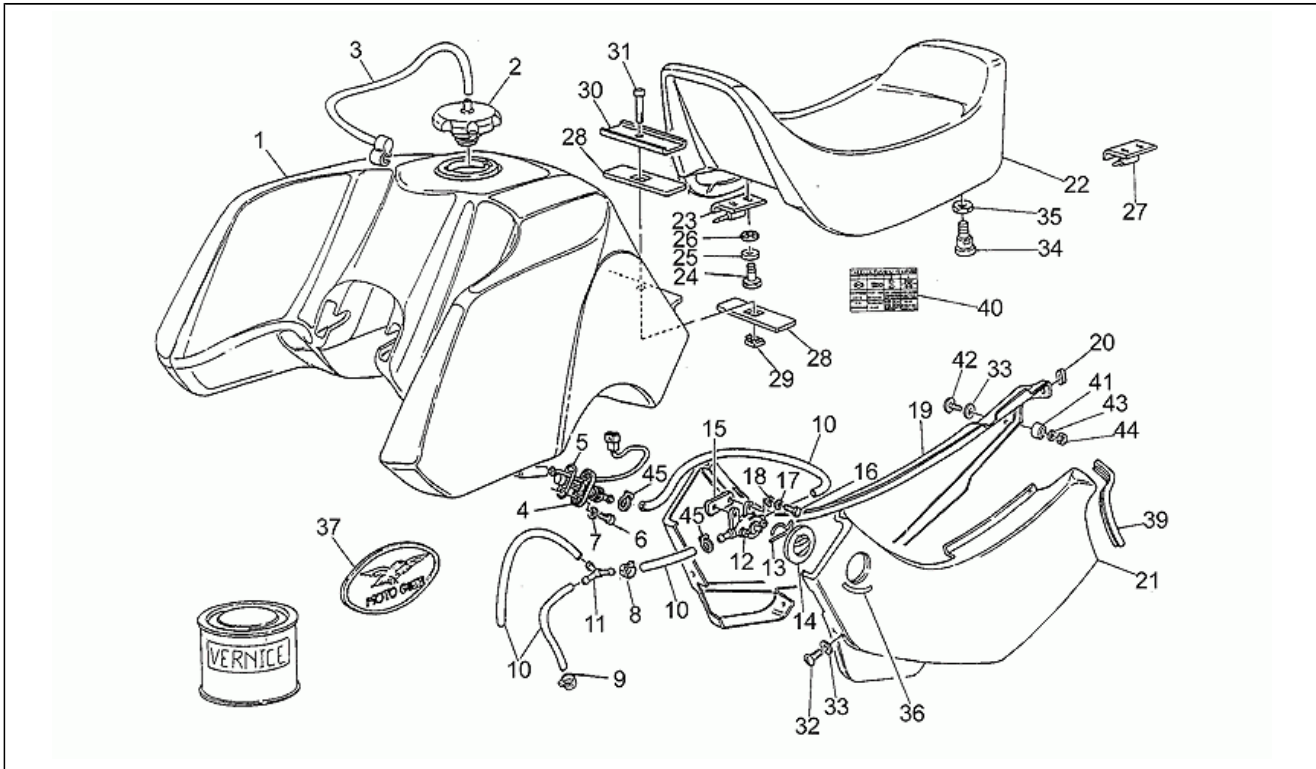
Pos.	Code	Description	Q.ty	Variants
1	GU311002301	Fuel tank blank	1	Color:Blank[gr]
1	GU31100235	Fuel tank, sky blue/white	1	Color:Police Cyan[p.c]
1	GU31100236	Fuel tank white	1	Color:Milk white 410[m.w]
1	GU31100237	Fuel tank, white/Rome blue	1	Color:Milk white 410[m.w]
1	GU31100238	Fuel tank, white/black	1	Color:Milk white 410[m.w]
1	GU31100239	Fuel tank, Carabinieri blue	1	Color: Carabinieri Blue 240[c.b] Technical Specifications:See spare parts comm.n.003 of 1998[00398N]
1	GU89000001	Fuel tank, Rome blue	1	Color: Roma Blue 230[r.b] Technical Specifications:See spare parts comm.n.003 of 1998[00398N]
2	GU66103915	Fuel filler cap	1	
3	GU66109715	Breather pipe	1	
4	GU31105330	Fuel cock	1	
5	GU31105830	Gasket	1	
6	GU98622316	Hex socket screw M6X16	2	
7	GU61013800	Special washer	2	
8	GU28157950	Hose clip 12,5x8	3	Technical Specifications:See spare parts comm.n.038 of 2000[03800N], From frame LX16500[T2]
8	GU29108550	Hose clip 11,5x6	3	Technical Specifications:Until frame <LX16499[T1]
9	GU28157950	Hose clip 12,5x8	2	
10	GU00823956060	Pipe SAEJ30R76X121/4"	1	Technical Specifications:See spare parts comm.n.038 of 2000[03800N], From frame LX16500[T2]
11	GU31106630	3-way union	1	
12	GU51105401	Fuel cock	1	
13	GU51105900	Spring	1	
14	GU51105600	Cock control	1	
15	GU31101930	Plate	1	Technical Specifications:Until frame <LX16410[T3]
15	GU31101931	Plate	1	Technical Specifications:See spare parts comm.n.038 of 2000[03800N], From frame LX16411[T4]

Assembly	FRAME
Code	33.03
Description	Central body - Saddle
Revision	1



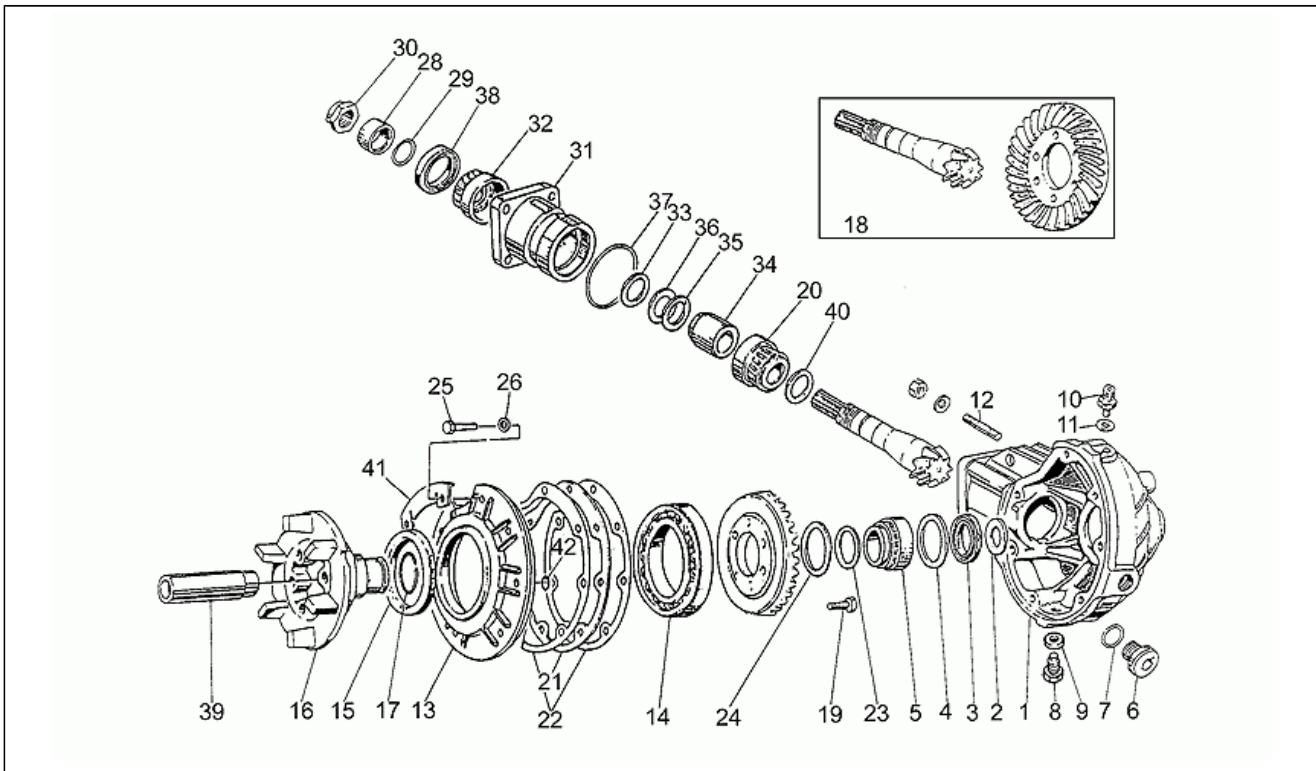
Pos.	Code	Description	Q.ty	Variants
16	GU98054216	Screw	2	
17	GU95021105	Notched washer	2	
18	GU95000205	Washer	2	
19	GU31476235	RH side panel, sky blue/white	1	Color: Police Cyan[p.c]
19	GU314762351	RH body panel blank	1	Color: Blank[gr]
19	GU31476236	RH side panel, white	1	Color: Milk white 410[m.w]
19	GU31476237	RH side panel, white/Rome blue	1	Color: Milk white 410[m.w]
19	GU31476238	RH side panel, white/black	1	Color: Milk white 410[m.w]
19	GU31476239	RH side panel,Carabinieri blue	1	Color: Carabinieri Blue 240[c.b] Technical Specifications: See spare parts comm.n.003 of 1998[00398N]
19	GU89000002	RH side panel, Rome blue	1	Color: Roma Blue 230[r.b] Technical Specifications: See spare parts comm.n.003 of 1998[00398N]
20	GU50740600	Rubber spacer	1	
21	GU31476335	LH side panel, sky blue/white	1	Color: Police Cyan[p.c]
21	GU314763351	LH body panel blank	1	Color: Blank[gr]
21	GU31476336	LH side panel, white	1	Color: Milk white 410[m.w]
21	GU31476337	LH side panel, white/Rome blue	1	Color: Milk white 410[m.w]
21	GU31476338	LH side panel, white/black	1	Color: Milk white 410[m.w]
21	GU31476339	LH side panel,Carabinieri blue	1	Color: Carabinieri Blue 240[c.b] Technical Specifications: See spare parts comm.n.003 of 1998[00398N]
21	GU89000003	LH side panel, Rome blue	1	Color: Roma Blue 230[r.b] Technical Specifications: See spare parts comm.n.003 of 1998[00398N]
22	GU31460537	Single-seater saddle	1	Technical Specifications: See spare parts comm.n.038 of 2000[03800N], From frame LX16500[T2]
23	GU28461300	Front saddle hinge	1	
24	GU98054316	Hex screw M6X16	4	

Assembly	FRAME
Code	33.03
Description	Central body - Saddle
Revision	1



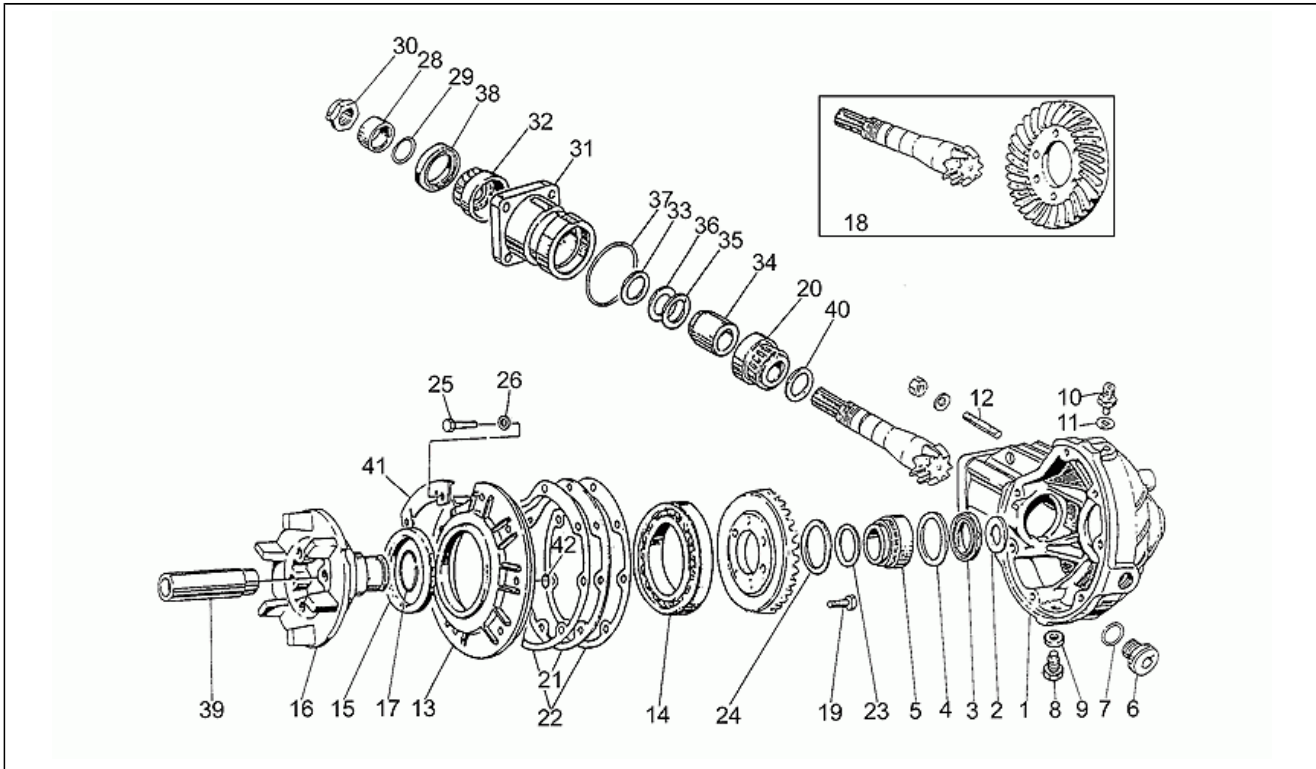
Pos.	Code	Description	Q.ty	Variants
25	GU95100139	Washer 6,5X17X1.5	4	
26	GU95021106	Notched washer	4	
27	GU28461345	Rear saddle hinge	1	
28	GU27103415	Rubber spacer	2	
29	GU92660801	Captive nut	1	
30	GU27103515	Plate	1	
31	GU98622430	Screw M8X30	1	
32	GU98230616	Screw	4	
33	GU66478610	Nylon washer 6X17X1	6	
34	GU28103260	Stud bolt	1	
35	GU92602208	Nut M8X1,25	1	
36	GU51921400	"On-Off" decal	1	
37	GU31917330	"MotoGuzzi" dec.	2	
39	GU00823931077	Gasket	1	
40	GU31945435	Sticker "schema fusibili"	1	
41	GU31103835	Drift	2	Technical Specifications: See technical comm.n.296 of 1995[29695C]
42	GU98326016	Screw	2	Technical Specifications: See technical comm.n.296 of 1995[29695C]
43	GU95100121	Washer 5,3x10x0,5	2	Technical Specifications: See technical comm.n.296 of 1995[29695C]
44	GU92630506	Self-locking nut M6X1	2	Technical Specifications: See technical comm.n.296 of 1995[29695C]
45	GU19609600	Hose clamp	3	

Assembly	FRAME
Code	33.04
Description	Bevel gear
Revision	1



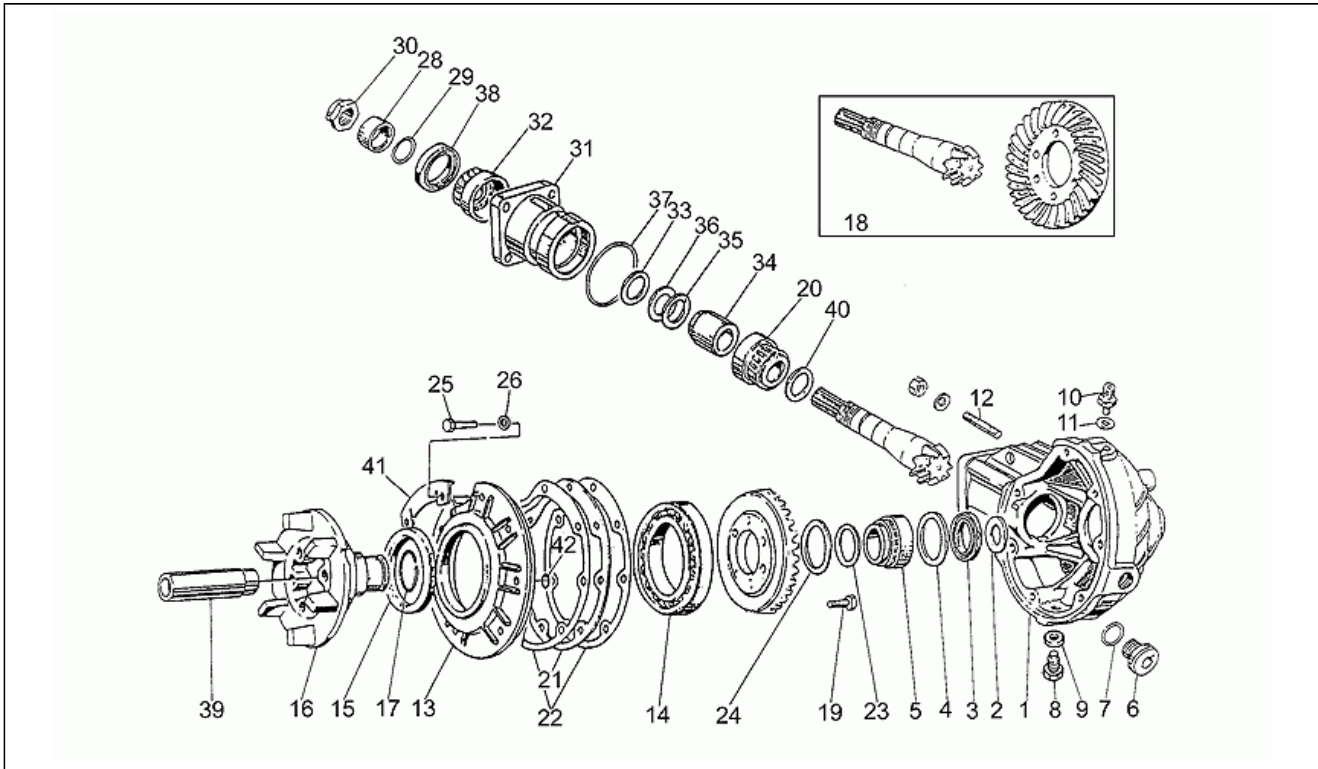
Pos.	Code	Description	Q.ty	Variants
1	GU31350331	Transmission cover	1	
2	GU19351900	Clearance washer	1	
3	GU90403547	Gasket ring 35x47x7	1	
4	GU19351100	Clearance washer	1	
5	GU92252235	Roller bearing 35x50x17	1	
6	GU31351200	Oil filler plug	1	
7	GU90706203	O-ring 20,24x2,62	1	
8	GU31003766	Oil unload plug M10X1	1	
9	GU10528900	Gasket	1	
10	GU31206500	Breather plug	1	
11	GU10528900	Gasket	1	
12	GU96508055	Stud bolt	4	
13	GU27350410	Cover	1	
14	GU92201070	Ball bearing 70x110x13	1	
15	GU90407590	Gasket ring 75x90x8	1	
16	GU19351401	Pin	1	
17	GU90353030	Stop ring	1	
18	GU20354621	Bevel gear Z=8/31	1	Technical Specifications: See spare parts comm.n.038 of 2000[03800N]
19	GU19356320	Screw	6	
20	GU92249223	Tap.roller bearing	1	
21	GU19355400	Spacer 0,8 mm	1	
21	GU19355402	Spacer 0,9 mm	1	
21	GU19355404	Spacer 1 mm	1	
21	GU19355406	Spacer 1,1 mm	1	
21	GU19355408	Spacer 1,2 mm	1	
21	GU19355410	Spacer 1,3 mm	1	
21	GU19355411	Spacer 1,4 mm	1	

Assembly	FRAME
Code	33.04
Description	Bevel gear
Revision	1



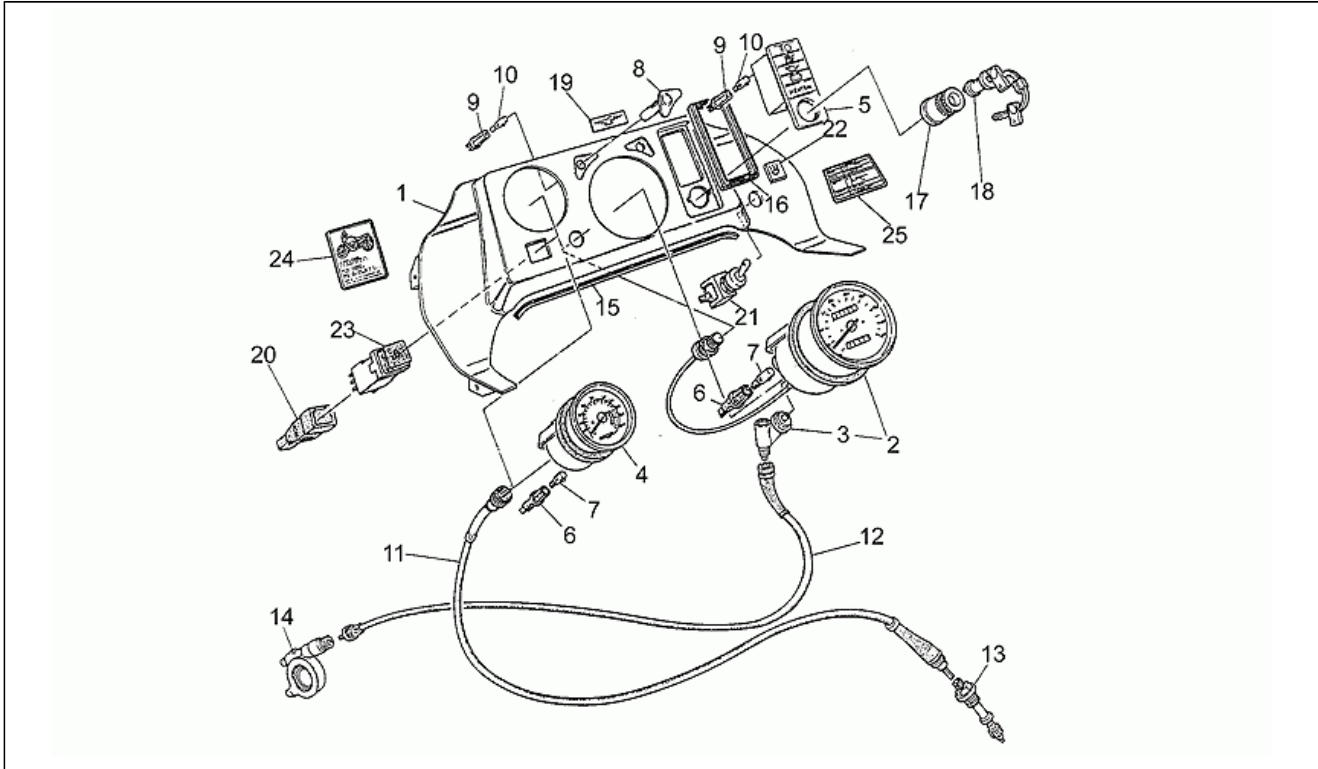
Pos.	Code	Description	Q.ty	Variants
21	GU19355412	Spacer 1,5 mm	1	
21	GU19355413	Spacer 1,6 mm	1	
22	GU19350700	Gasket	2	
23	GU19352300	Thrust washer	1	
24	GU19353500	Thrust washer	1	
25	GU19357660	Screw M8X25	7	
26	GU61270300	Spring washer 8x15x0,3	7	
28	GU19356801	Spacer	1	
29	GU90706188	Gasket ring 18,77X1,78	1	
30	GU19356700	Nut	1	
31	GU19352401	Bearing casing	1	
32	GU92249220	Roller bearing 20x47x14	1	
33	GU19355300	Spacer 1 mm	2	
33	GU19355301	Spacer 1,1 mm	2	
33	GU19355302	Spacer 1,2 mm	2	
33	GU19355303	Spacer 1,3 mm	2	
33	GU19355304	Spacer 1,4 mm	2	
33	GU19355305	Spacer 1,5 mm	2	
33	GU19355306	Spacer 1,6 mm	2	
33	GU19355307	Spacer 1,7 mm	2	
33	GU19355308	Spacer 1,8 mm	2	
33	GU19355309	Spacer 1,9 mm	2	
34	GU19355121	Spacer	1	
35	GU19355200	Shim 0,1 mm	1	
36	GU19355202	Shim 0,15 mm	1	
37	GU90706552	Gasket ring	1	
38	GU90403247	Gasket ring	1	
39	GU27634110	Spacer	2	

Assembly	FRAME
Code	33.04
Description	Bevel gear
Revision	1



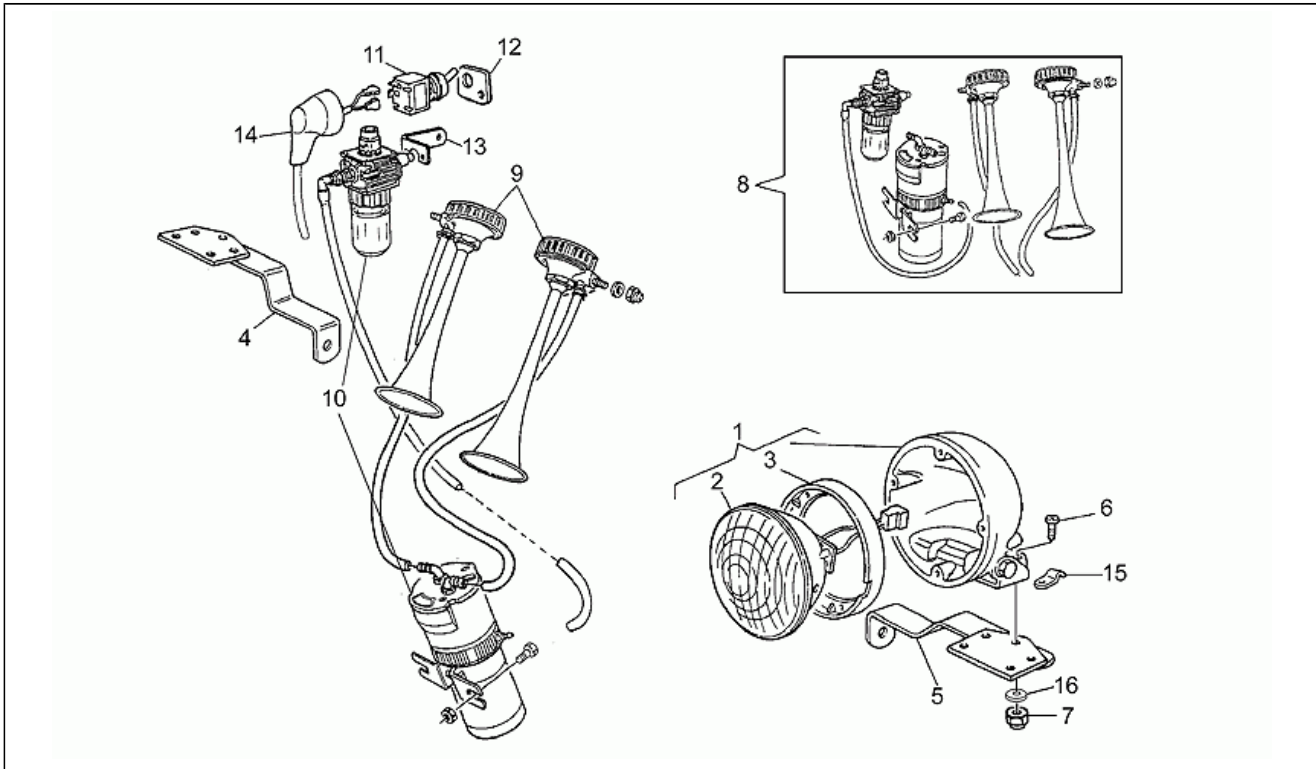
Pos.	Code	Description	Q.ty	Variants
40	GU19355320	Spacer 1 mm	1	
40	GU19355321	Spacer 1,1 mm	1	
40	GU19355322	Spacer 1,2 mm	1	
40	GU19355323	Spacer 1,3 mm	1	
40	GU19355324	Spacer 1,4 mm	1	
40	GU19355325	Spacer 1,5 mm	1	
40	GU19355326	Spacer 1,6 mm	1	
40	GU19355327	Spacer 1,7 mm	1	
40	GU19355328	Spacer 1,8 mm	1	
40	GU19355329	Spacer 1,9 mm	1	
41	GU27357411	Plate	1	
42	GU90706076	O-ring	2	

Assembly	FRAME
Code	33.05
Description	Dashboard
Revision	1



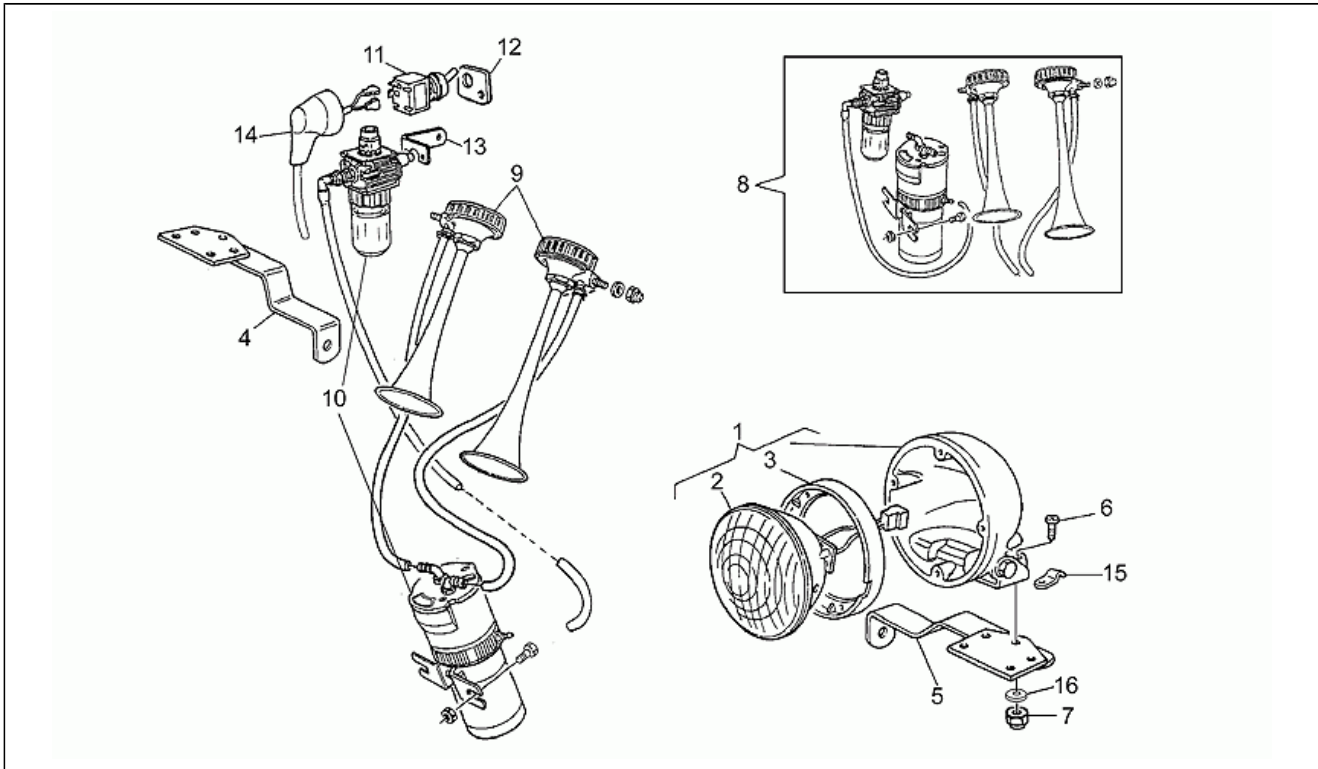
Pos.	Code	Description	Q.ty	Variants
1	GU31501635	Dashboard lower support	1	
2	GU27761515	Speedometer	1	
3	GU23768310	Gear 60°	1	
4	GU27767275	Tachometer	1	
5	GU31766930	Indicator light box	1	
6	GU14768650	Lampholder	2	
7	GU93450120	Lamp 12v-3w	2	
8	GU65758970	Blinker indicator light holder	2	
9	GU19768580	Lampholder	7	
10	GU93450140	Lamp 12V-1,2W	7	
11	GU27768185	Rev counter transmission	1	
12	GU27760410	Speedometer transmission	1	
13	GU14769200	Gear Z=14	1	
14	GU39762501	Odometer gear	1	
15	GU00823931070	Gasket	1	
16	GU31501730	Gasket	1	
17	GU31735330	Switch	1	
18	GU31735630	Main switch	1	
19	GU31922530	"Aquila" decal	1	
20	GU35755780	Rubber protection	1	
21	GU31745735	Strobo lights switch	1	
22	GU31917535	"Lights" decal	1	
23	GU28745761	Turn indicator switch	1	
24	GU31926035	Tyre pressure decal	1	
25	GU31923935	Filling decal	1	

Assembly	FRAME
Code	33.06
Description	Blue headlight/horns
Revision	1



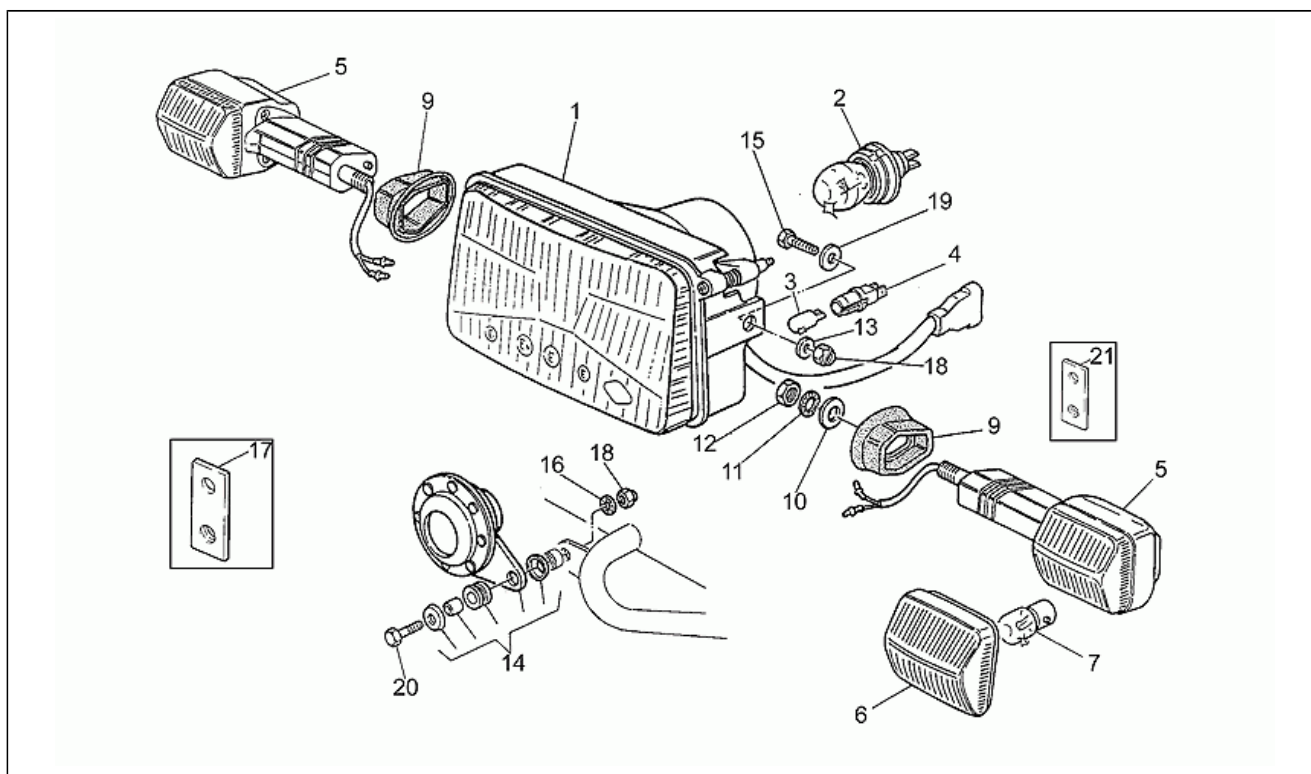
Pos.	Code	Description	Q.ty	Variants
1	GU03743380	strobe light, blue	2	Technical Specifications: See spare parts comm.n.038 of 2000[03800N], Brand SONORA[S], From frame LX16500[T2]
1	GU31743335	Halogen light assy., blue CPU	2	Technical Specifications: Brand VAMA[V]
1	GU31743340	Halogen light assy., blue	2	Technical Specifications: See spare parts comm.n.014 of 1997[01497N], Brand SONORA[S], Until frame <LX16499[T1]
1	GU31743341	Halogen light assy., red	2	Technical Specifications: See spare parts comm.n.038 of 2000[03800N], Brand SONORA[S], From frame LX16500[T2]
2	GU23743392	Additional halogen light, blue CPU	2	
3	GU23742890	Light frame	2	
4	GU31743535	RH support plate	1	Technical Specifications: Brand VAMA[V]
4	GU31743537	Support plate	1	Technical Specifications: See spare parts comm.n.014 of 1997[01497N], Brand SONORA[S]
5	GU31743537	Support plate	1	Technical Specifications: See spare parts comm.n.014 of 1997[01497N], Brand SONORA[S]
5	GU31743635	LH support plate	1	Technical Specifications: Brand VAMA[V]
6	GU98290513	Screw	4	
6	GU98290516	Screw	2	
7	GU92630105	Nut	6	Technical Specifications: Brand VAMA[V]
7	GU92630206	Nut M6x1	2	Technical Specifications: See spare parts comm.n.014 of 1997[01497N], Brand SONORA[S]
8	GU31746035	Horn unit	1	
9	GU31743735	Horns with pipe	1	
10	GU31746036	Electrical compressor	1	
11	GU31745735	Strobe lights switch	1	
12	GU31433835	Switch support	1	
13	GU31744035	Plate	1	
14	GU23707100	Cap	1	
15	GU93301315	U-bolt	1	

Assembly	FRAME
Code	33.06
Description	Blue headlight/horns
Revision	1



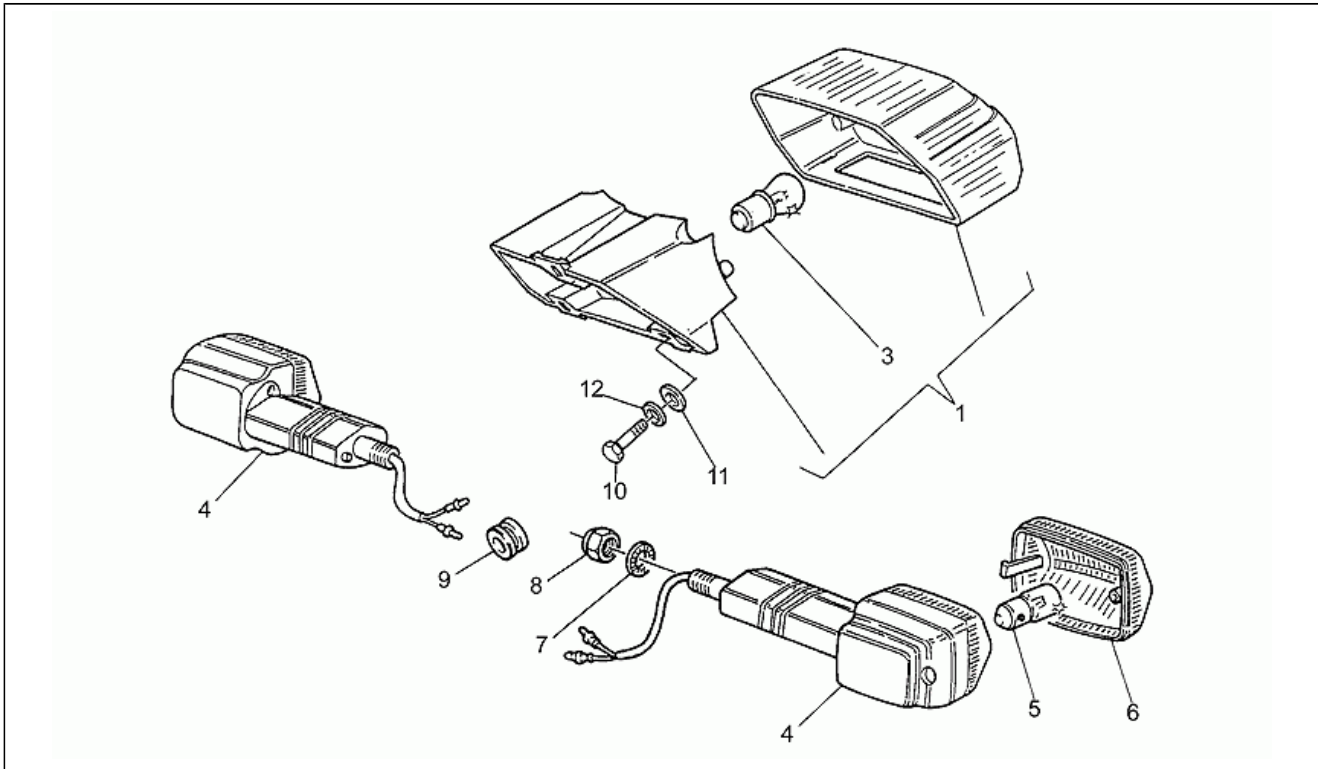
Pos.	Code	Description	Q.ty	Variants
16	GU95100120	Washer	2	Technical Specifications: See spare parts comm.n.014 of 1997[01497N], Brand SONORA[S]

Assembly	FRAME
Code	33.07
Description	Headlight/Horn
Revision	1



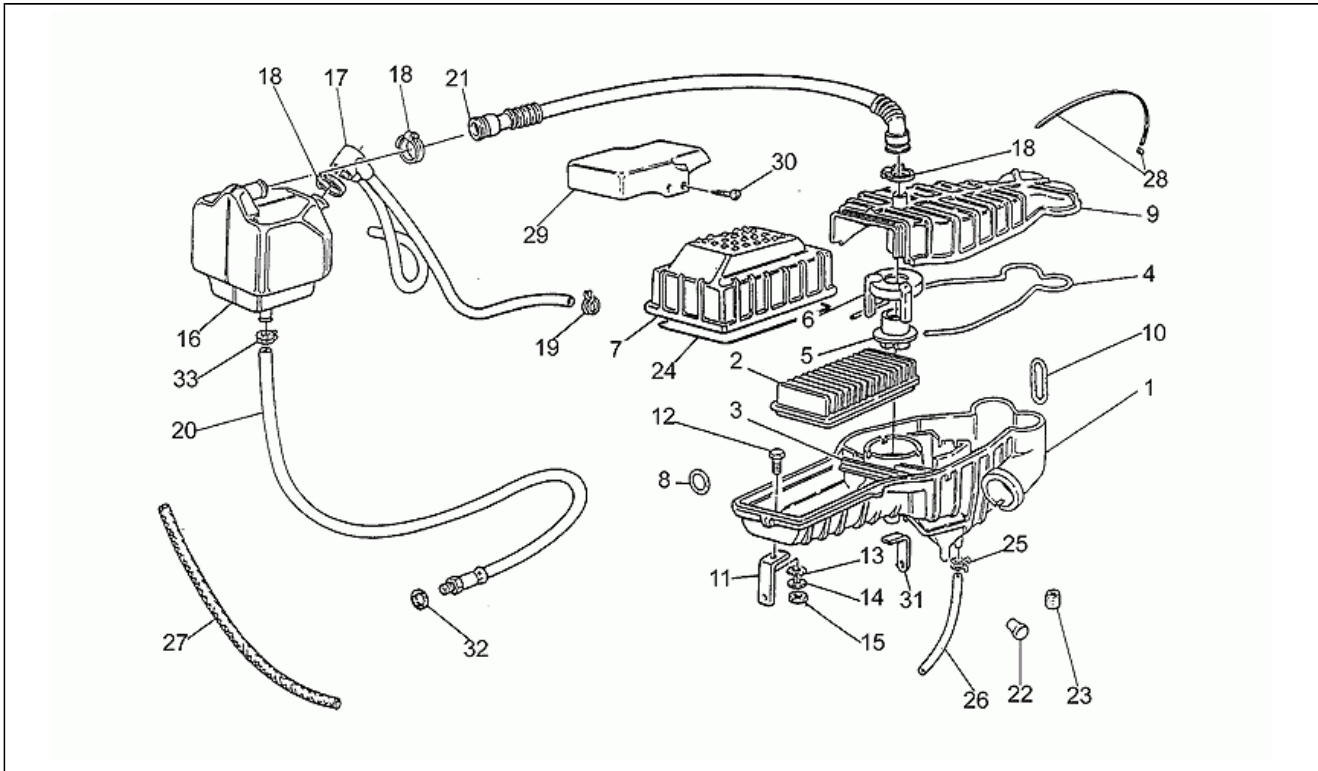
Pos.	Code	Description	Q.ty	Variants
1	GU27740515	Headlight	1	
2	GU93450231	Lamp 12V 45/40W	1	
3	GU93450105	Lamp 12V-5W	1	
4	GU14768650	Lampholder	1	
5	GU31750630	Blinker	2	
6	GU31753730	Blinker lens	2	
7	GU93450127	Lamp 12V-10W	2	
9	GU31753230	Blinker support	2	
10	GU95007210	Washer	2	
11	GU95021110	Notched washer	2	
12	GU92602411	Nut	2	
13	GU95100121	Washer 5,3x10x0,5	2	
14	GU27743715	Horn	1	Technical Specifications: 1A Series, brand CEV[1A]
14	GU30743700	Horn	1	Technical Specifications: See spare parts comm.n.014 of 1997[01497N], 2A Series, brand VOXBELL[2A]
15	GU98054322	Hex screw M6x22	3	
16	GU95000206	Washer	1	
17	GU31576135	Plate	1	Technical Specifications: 1A Series, brand CEV[1A]
18	GU92630106	Nut M6x1	3	
19	GU95100141	Washer 6,4x12x1,2	2	
20	GU98054340	Screw	1	
21	GU31756937	Plate	1	Technical Specifications: See spare parts comm.n.014 of 1997[01497N], 2A Series, brand VOXBELL[2A]

Assembly	FRAME
Code	33.08
Description	Taillight
Revision	1



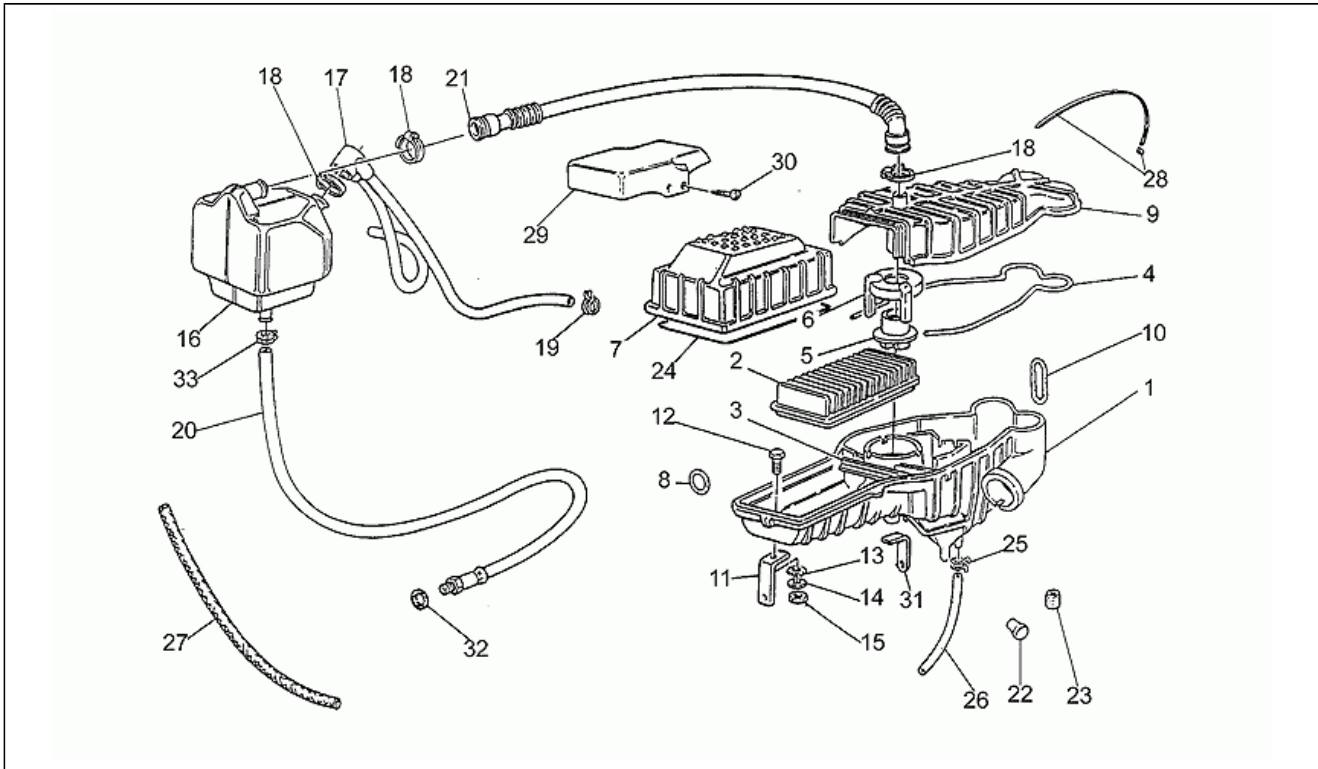
Pos.	Code	Description	Q.ty	Variants
1	GU66740915	Taillight	1	
3	GU93450224	Lamp 12V/5-21W	1	
4	GU31750630	Blinker	2	
5	GU93450127	Lamp 12V-10W	2	
6	GU31753730	Blinker lens	2	
7	GU95021110	Notched washer	2	
8	GU92602411	Nut	2	
9	GU91551062	Rubber spacer	1	
10	GU98054322	Hex screw M6X22	3	
11	GU95100118	Washer 6,2X18X1	3	
12	GU61013800	Special washer	3	

Assembly	FRAME
Code	33.09
Description	Air filter
Revision	1



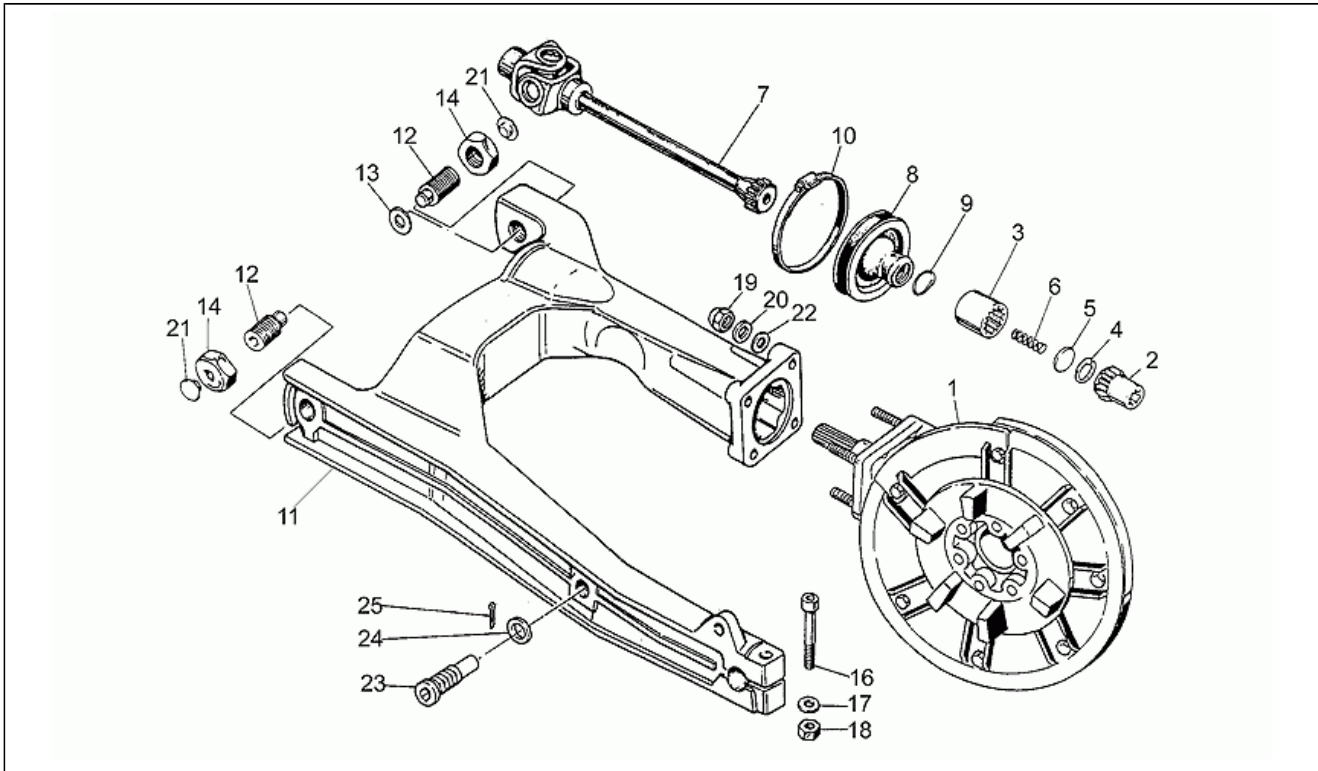
Pos.	Code	Description	Q.ty	Variants
1	GU19114060	Lower side filter case	1	
2	GU28113650	Air filter	1	
3	GU19112960	Bracket	1	
4	GU19113960	Gasket	1	
5	GU19111060	Protection	1	
6	GU19111160	Cover	1	
7	GU19113760	Filter cover	1	
8	GU31110715	Short spring	3	
9	GU19113460	Upper side filter case	1	
10	GU31110815	Lenght spring	3	
11	GU31114165	Air filter support	1	
12	GU98054214	Screw	1	
13	GU95021105	Notched washer	1	
14	GU95000205	Washer	1	
15	GU92630105	Nut	1	
16	GU31153481	Housing	1	Technical Specifications: See spare parts comm.n.038 of 2000[03800N]
17	GU23159671	Breather	1	Technical Specifications: See spare parts comm.n.038 of 2000[03800N]
18	GU93305018	Hose clamp	3	
19	GU61108400	Hose clamp	2	
20	GU27159360	Breather	1	
21	GU27157420	Pipe	1	
22	GU19433000	Lockup rubber	1	
23	GU14423800	Rubber spacer	1	
24	GU27113985	Gasket	1	
25	GU61108500	Hose clamp D9	1	
26	GU00823942090	Breather pipe	1	

Assembly	FRAME
Code	33.09
Description	Air filter
Revision	1



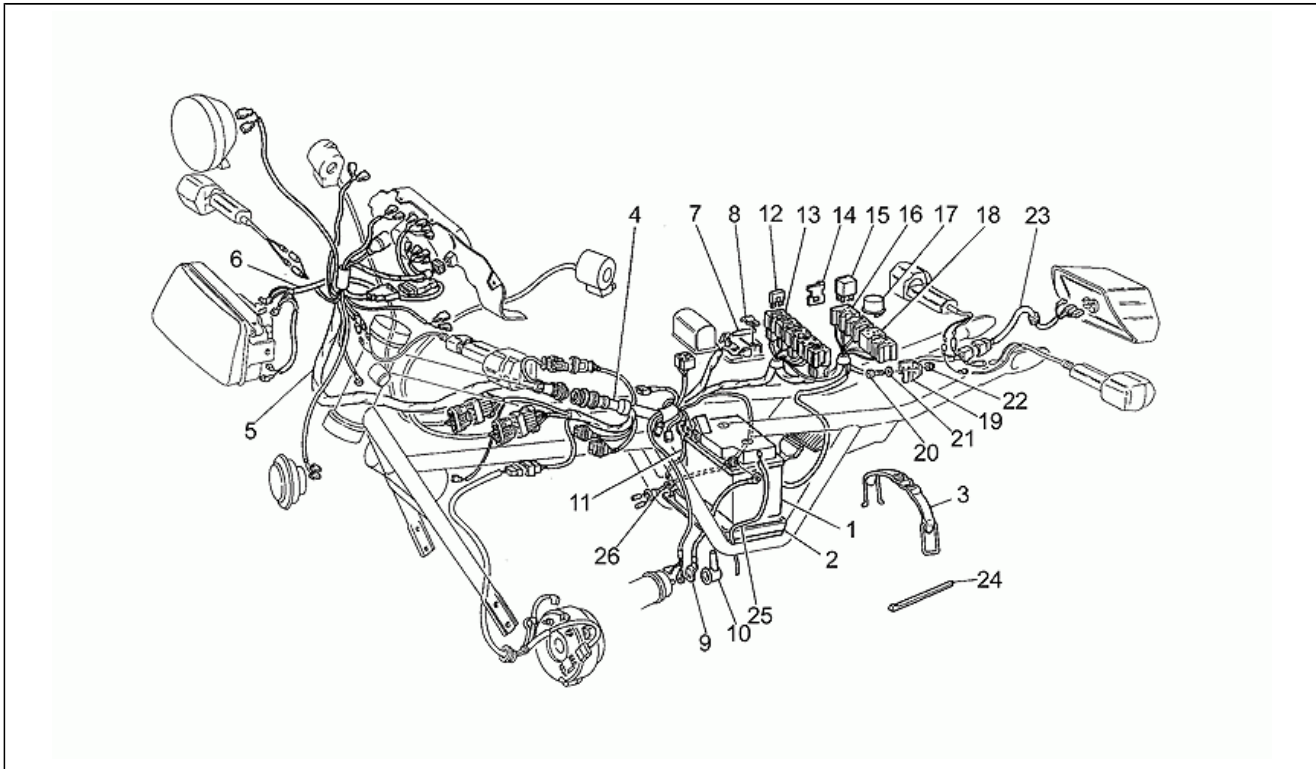
Pos.	Code	Description	Q.ty	Variants
27	GU00823923140	Thermal sheath	1	
28	GU27609685	Hose clamp	1	
29	GU31111265	Guard	1	
30	GU99200413	Self-tap screw	3	
31	GU31112965	Square	1	
32	GU90714082	Gasket	1	
33	GU19609600	Hose clamp	1	

Assembly	FRAME
Code	33.10
Description	Swing arm
Revision	1



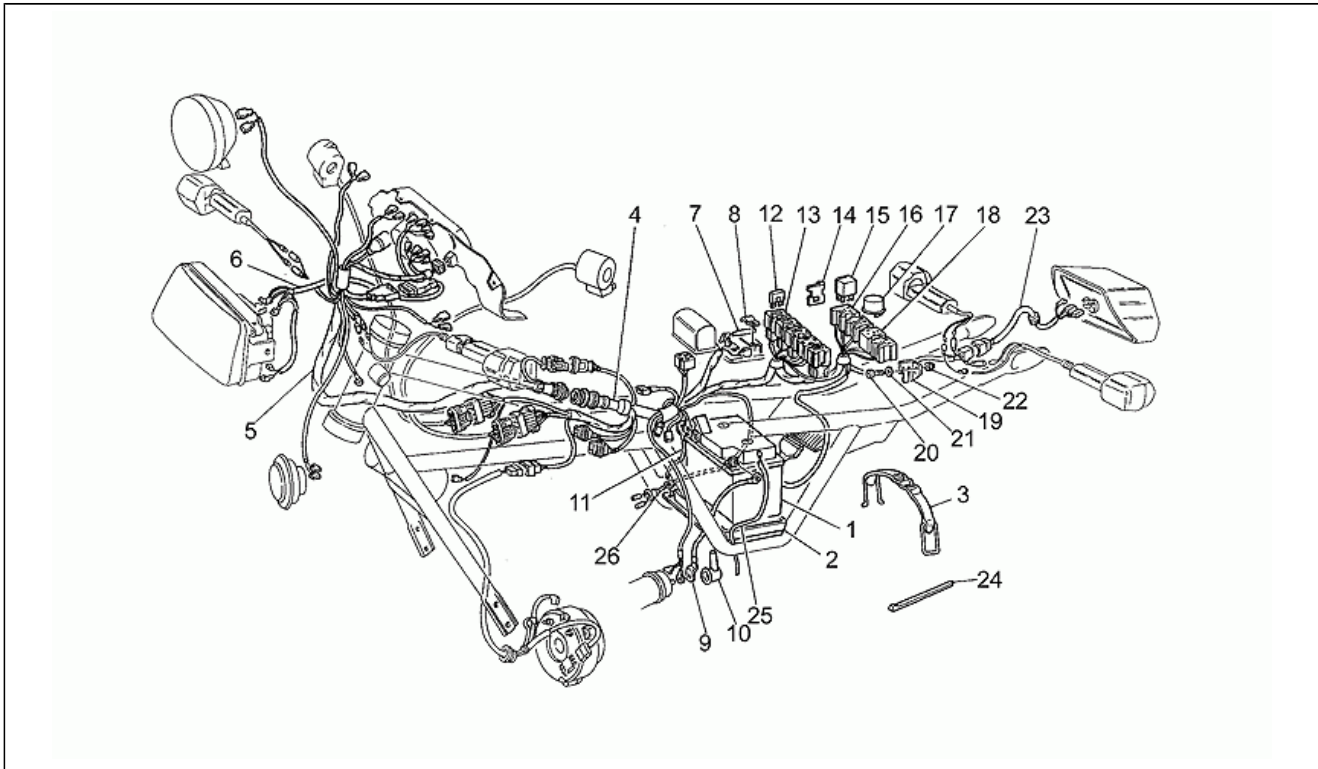
Pos.	Code	Description	Q.ty	Variants
1	GU31350231	Transmission complete	1	
2	GU19327701	Hose	1	
3	GU19328801	Hose	1	
4	GU90272023	Circlip	1	
5	GU19327601	Disc	1	
6	GU94321099	Spring	1	
7	GU23328081	Coupling	1	
8	GU23548080	Protection collar	1	
9	GU23548180	Spring	1	
10	GU93305074	Hose clamp	1	
11	GU31540231	Swing arm	1	Technical Specifications: See spare parts comm.n.029 of 1999[02999N]
12	GU19547000	Pin	2	
13	GU35214300	Spacer	1	
14	GU14547800	Nut	2	
16	GU98620545	Screw	1	
17	GU95004210	Washer 10,2x18x2	1	
18	GU92602210	Nut	1	
19	GU92781082	Cap nut	4	
20	GU14615901	Washer 8,4X13X0,8	4	
21	GU93180105	Plug	2	
22	GU95007208	Washer	4	
23	GU31544160	Pin	1	Technical Specifications: See spare parts comm.n.029 of 1999[02999N]
24	GU95100523	Washer 14,5X20X1	1	Technical Specifications: See spare parts comm.n.029 of 1999[02999N]
25	GU95500222	Split pin	1	Technical Specifications: See spare parts comm.n.029 of 1999[02999N]

Assembly	FRAME
Code	33.11
Description	Electrical system
Revision	1



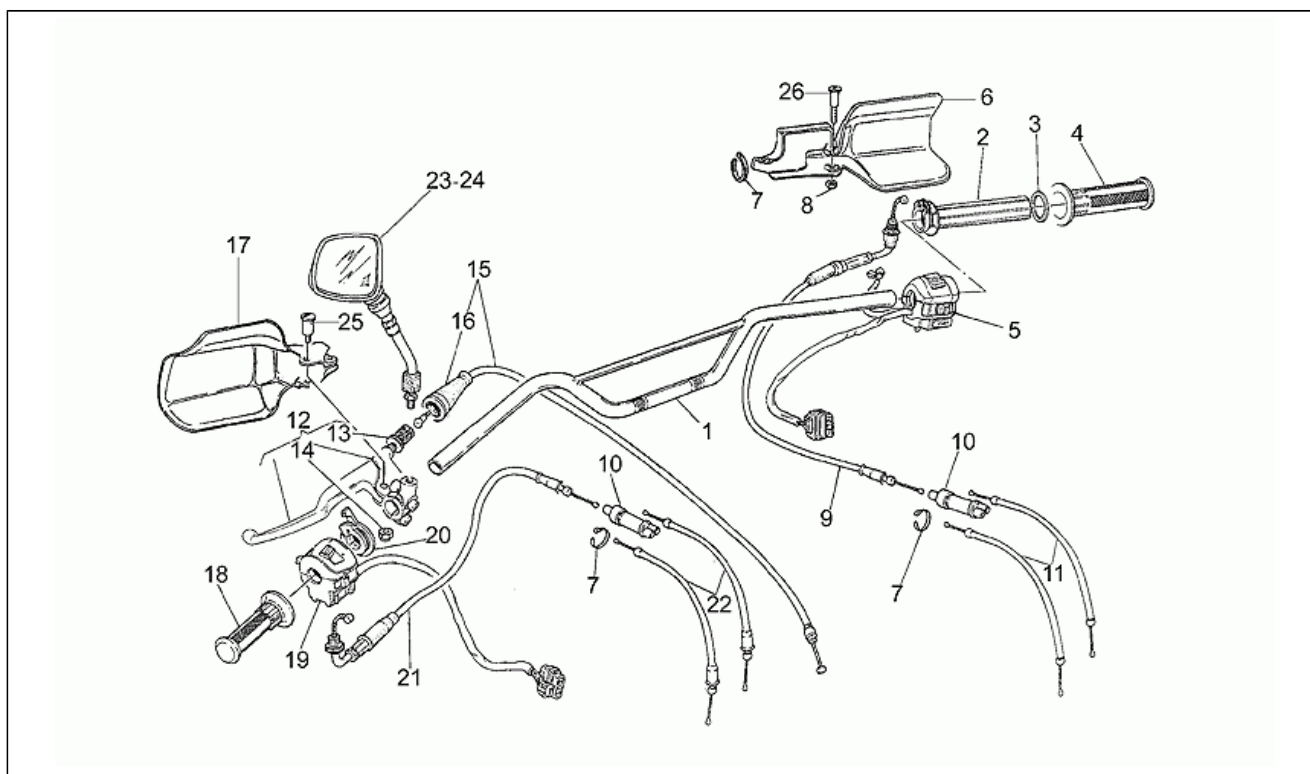
Pos.	Code	Description	Q.ty	Variants
1	GU03704540	Battery Exide 12V-30Ah	1	Technical Specifications: See spare parts comm.n.038 of 2000[03800N]
1	GU28704545	Battery VARTA 530.30 12V-30A	1	
2	GU28707050	Battery holder	1	
3	GU27704815	Plate	1	
4	GU31747136	Electrical system Bosch	1	Technical Specifications: Until frame <LX16499[T1]
4	GU31747137	Electrical system Ducati	1	Technical Specifications: Until frame <LX16499[T1]
4	GU31747138	Electrical system	1	Technical Specifications: See spare parts comm.n.038 of 2000[03800N], From frame LX16500[T2]
5	GU31747236	Headlight wiring w/harness	1	Technical Specifications: Brand VAMA[V]
5	GU31747237	Headlight wiring w/harness	1	Technical Specifications: See spare parts comm.n.014 of 1997[01497N], Brand SONORA[S]
5	GU31747239	Headlight wiring w/harness	1	Technical Specifications: See spare parts comm.n.038 of 2000[03800N], From frame LX16500[T2]
6	GU14747455	Headlight wiring w/harness	1	Technical Specifications: Brand VAMA[V]
6	GU28747449	Headlight wiring w/harness	1	Technical Specifications: See spare parts comm.n.014 of 1997[01497N], Brand SONORA[S]
7	GU28727200	Resistance	1	
8	GU93301175	U-bolt	1	
9	GU19748000	Wire	1	
10	GU19707100	Cap	1	
11	GU28747960	Ground-battery lead	1	
12	GU28742560	Fuse 15A	4	
13	GU30732200	Fuse holder box	4	
14	GU30477101	RH clamp	2	
15	GU30732560	Relay Siemens A302/B1008	3	
16	GU30732400	Relais support	3	
17	GU17750520	Flasher unit	2	
18	GU30756100	Support	2	

Assembly	FRAME
Code	33.11
Description	Electrical system
Revision	1



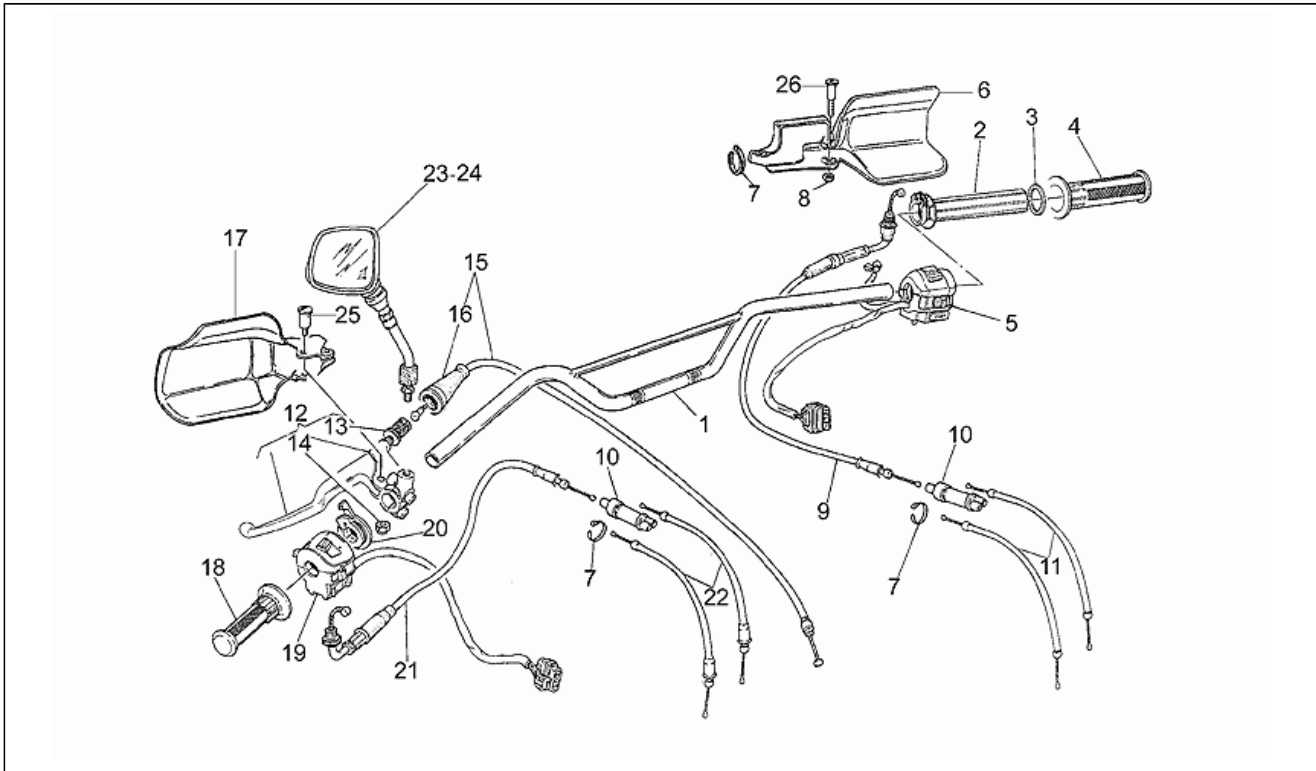
Pos.	Code	Description	Q.ty	Variants
19	GU30477200	LH plate	2	
20	GU98622310	Screw	4	
21	GU61013800	Special washer	4	
22	GU92630206	Nut M6x1	4	
23	GU31747330	Taillight wiring harn.	1	
24	GU14609650	Hose clamp 3,6x20,6	1	
24	GU61609630	Hose clamp	1	
25	GU00823946060	Breather pipe	1	
26	GU12717600	Cap	1	

Assembly	FRAME
Code	33.12
Description	Handlebar - Controls
Revision	1



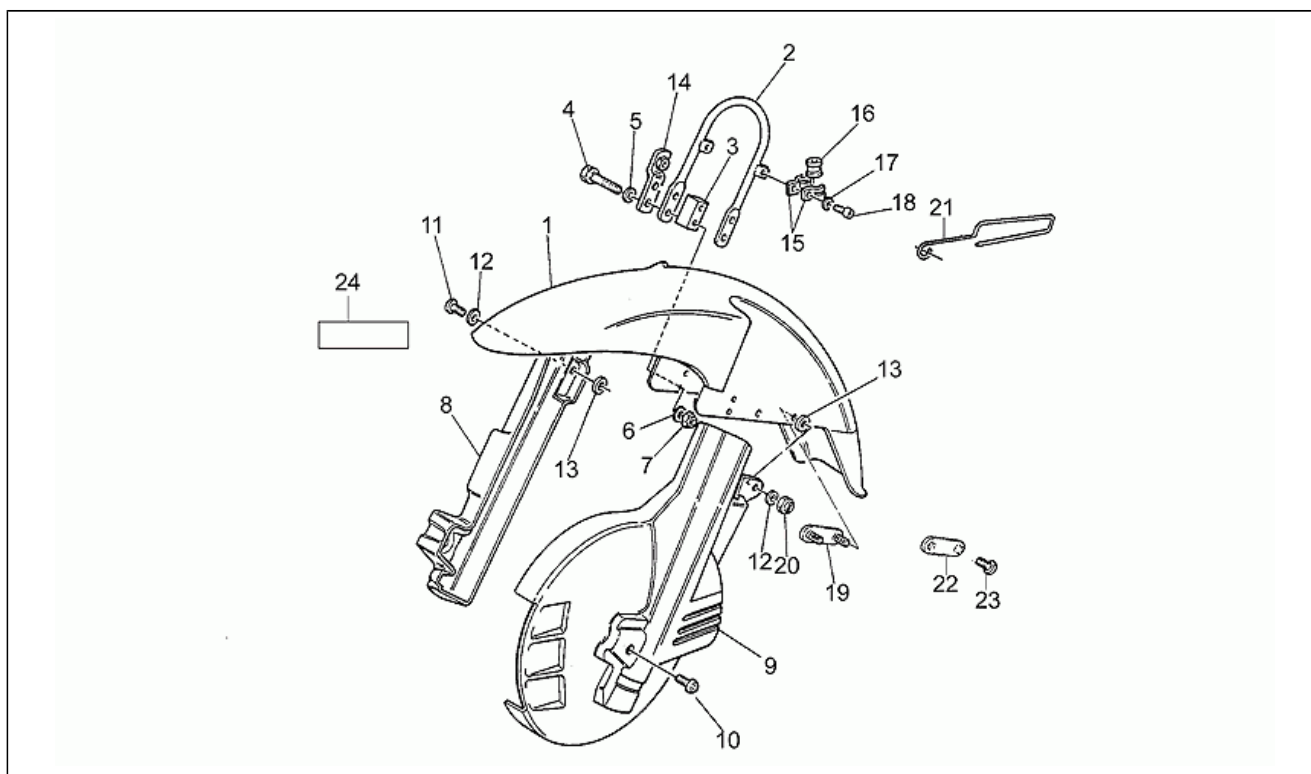
Pos.	Code	Description	Q.ty	Variants
1	GU31600335	Handlebar	1	
2	GU30603800	Throttle pipe w/out hand grip	1	
3	GU30606900	Nylon washer	1	
4	GU19603515	RH hand grip	1	
5	GU30738860	RH lights selector	1	
6	GU31592935	RH handguard	1	Color: Police Cyan[p.c]
6	GU31592937	RH handguard	1	Color: Milk white 410[m.w]
6	GU31592939	RH handguard	1	Color: Carabinieri Blue 240[c.b] Technical Specifications: See spare parts comm.n.003 of 1998[00398N]
6	GU89000009	RH handguard	1	Color: Roma Blue 230[r.b] Technical Specifications: See spare parts comm.n.003 of 1998[00398N]
7	GU14609650	Hose clamp 3,6x20,6	3	
8	GU92630106	Nut M6x1	1	
9	GU31117565	Throttle cable	1	
10	GU30607910	Splitter	2	
11	GU27117775	Throttle cable	2	Technical Specifications: Until frame >LX15529[T5]
11	GU31117715	RH throttle cable	2	Technical Specifications: See technical comm.n.297 of 1995[29795C], From frame LX15530[T6]
11	GU31117715	RH throttle cable	1	Technical Specifications: See spare parts comm.n.033 of 2001[03301N], From frame LX16742[T7]
11	GU31117815	LH throttle cable	1	Technical Specifications: See spare parts comm.n.033 of 2001[03301N], From frame LX16742[T7]
12	GU30605560	Clutch lever cpl.	1	
13	GU30602500	Register	1	
14	GU92602206	Nut	1	
15	GU31093035	Clutch cable	1	
16	GU23093870	Bellows	1	
17	GU31593036	LH handguard	1	Color: Police Cyan[p.c]

Assembly	FRAME
Code	33.12
Description	Handlebar - Controls
Revision	1



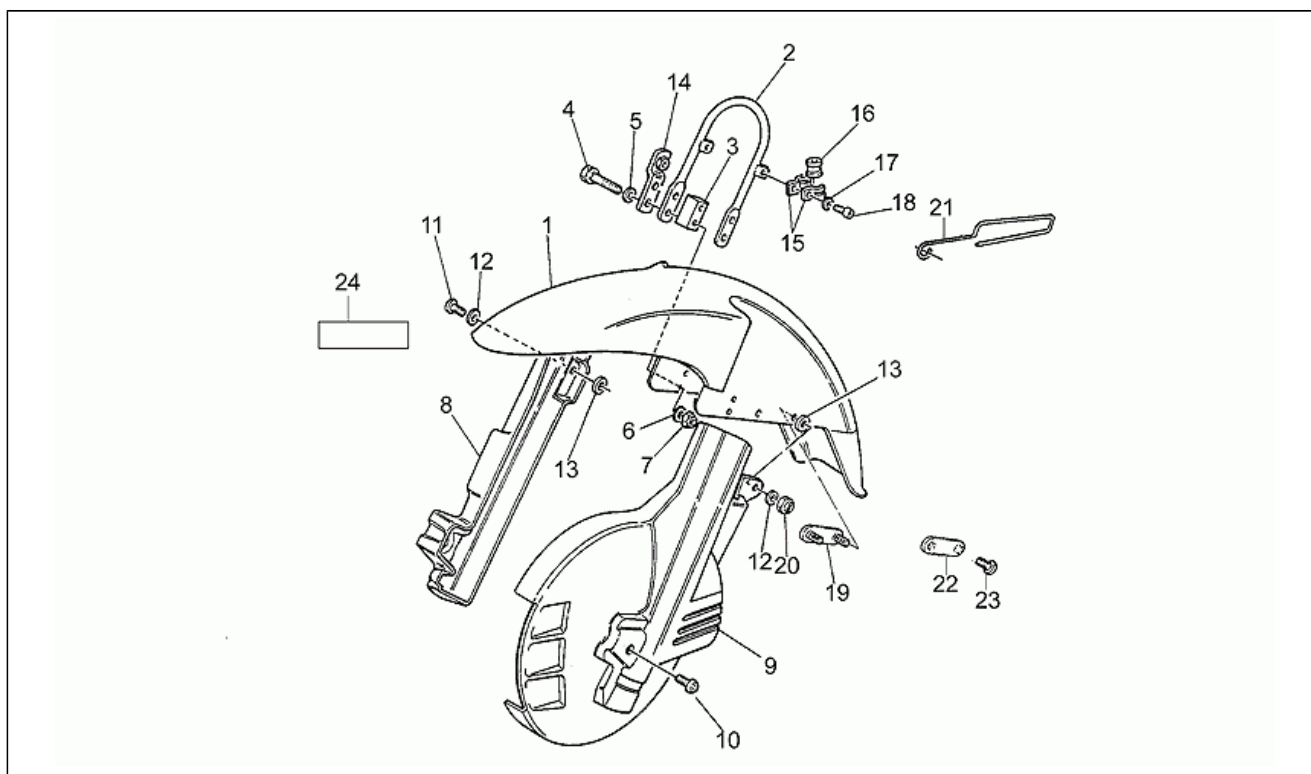
Pos.	Code	Description	Q.ty	Variants
17	GU31593037	LH handguard	1	Color: Milk white 410[m.w]
17	GU31593039	LH handguard	1	Color: Carabinieri Blue 240[c.b] Technical Specifications: See spare parts comm.n.003 of 1998[00398N]
17	GU89000008	LH handguard	1	Color: Roma Blue 230[r.b] Technical Specifications: See spare parts comm.n.003 of 1998[00398N]
18	GU19603015	LH hand grip	1	
19	GU30738060	LH lights selector	1	
20	GU30135200	Choke control	1	
21	GU31132865	Choke cable	1	
22	GU27133515	Choke cable	2	
23	GU30769430	LH rearview mirror	1	Technical Specifications: See technical comm.n.318 of 1996[31896C]
24	GU30769830	RH rearview mirror	1	Technical Specifications: See technical comm.n.318 of 1996[31896C]
25	GU31594236	LH fixing pin	1	Technical Specifications: See spare parts comm.n.038 of 2000[03800N], From frame LX16411[T4]
26	GU31594136	RH fixing pin	1	Technical Specifications: See spare parts comm.n.038 of 2000[03800N], From frame LX16411[T4]

Assembly	FRAME
Code	33.13
Description	Front mudguard
Revision	1



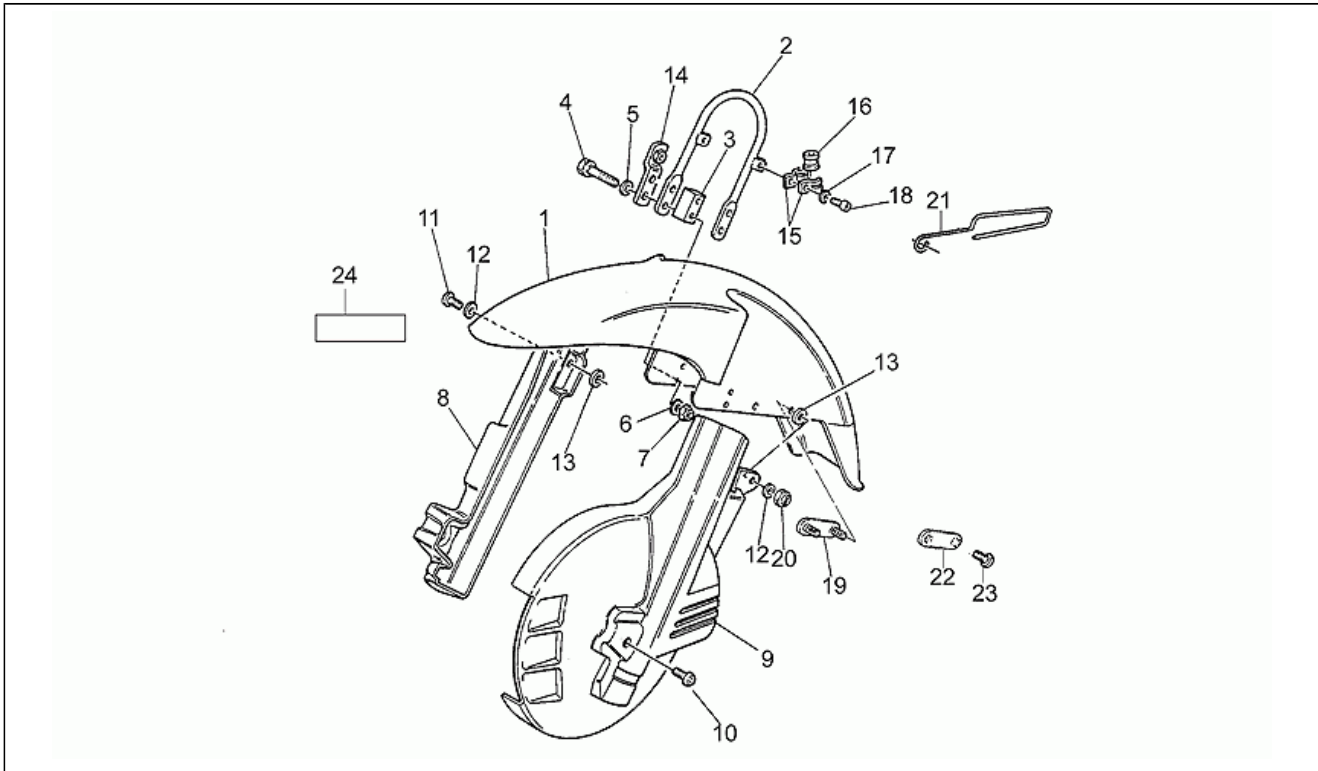
Pos.	Code	Description	Q.ty	Variants
1	GU274343757	Front mudguard	1	Color: Blank[gr] Technical Specifications: Until frame <LX16499[T1]
1	GU304344101	Front mudguard	1	Color: Blank[gr] Technical Specifications: See spare parts comm.n.038 of 2000[03800N], From frame LX16500[T2]
1	GU31434334	Front mudguard	1	Color: Police Cyan[p.c] Technical Specifications: See spare parts comm.n.038 of 2000[03800N], From frame LX16500[T2]
1	GU31434335	Front mudguard	1	Color: Police Cyan[p.c] Technical Specifications: Until frame <LX16499[T1]
1	GU31434336	Front mudguard	1	Color: Milk white 410[m.w]
1	GU31434339	Front mudguard	1	Color: Carabinieri Blue 240[c.b] Technical Specifications: See spare parts comm.n.003 of 1998[00398N]
1	GU89000005	Front mudguard	1	Color: Roma Blue 230[r.b] Technical Specifications: See spare parts comm.n.003 of 1998[00398N]
2	GU31436635	U-bolt	1	Color: Police Cyan[p.c]
2	GU31436636	U-bolt	1	Color: Blank[gr]
2	GU31436637	U-bolt nero	1	Color: Carabinieri Blue 240[c.b], Roma Blue 230[r.b] Technical Specifications: See spare parts comm.n.003 of 1998[00398N]
3	GU27436875	Spacer	2	Color: Milk white 410[m.w]
3	GU31436835	Spacer	2	Color: Police Cyan[p.c]
3	GU31466837	Spacer nero	2	Color: Carabinieri Blue 240[c.b], Roma Blue 230[r.b] Technical Specifications: See spare parts comm.n.003 of 1998[00398N]
4	GU98052350	Screw	4	Technical Specifications: Until frame <LX16499[T1]
4	GU98610345	Screw	4	Technical Specifications: See spare parts comm.n.038 of 2000[03800N], From frame LX16500[T2]
5	GU95000206	Washer	4	Technical Specifications: Until frame <LX16499[T1]

Assembly	FRAME
Code	33.13
Description	Front mudguard
Revision	1



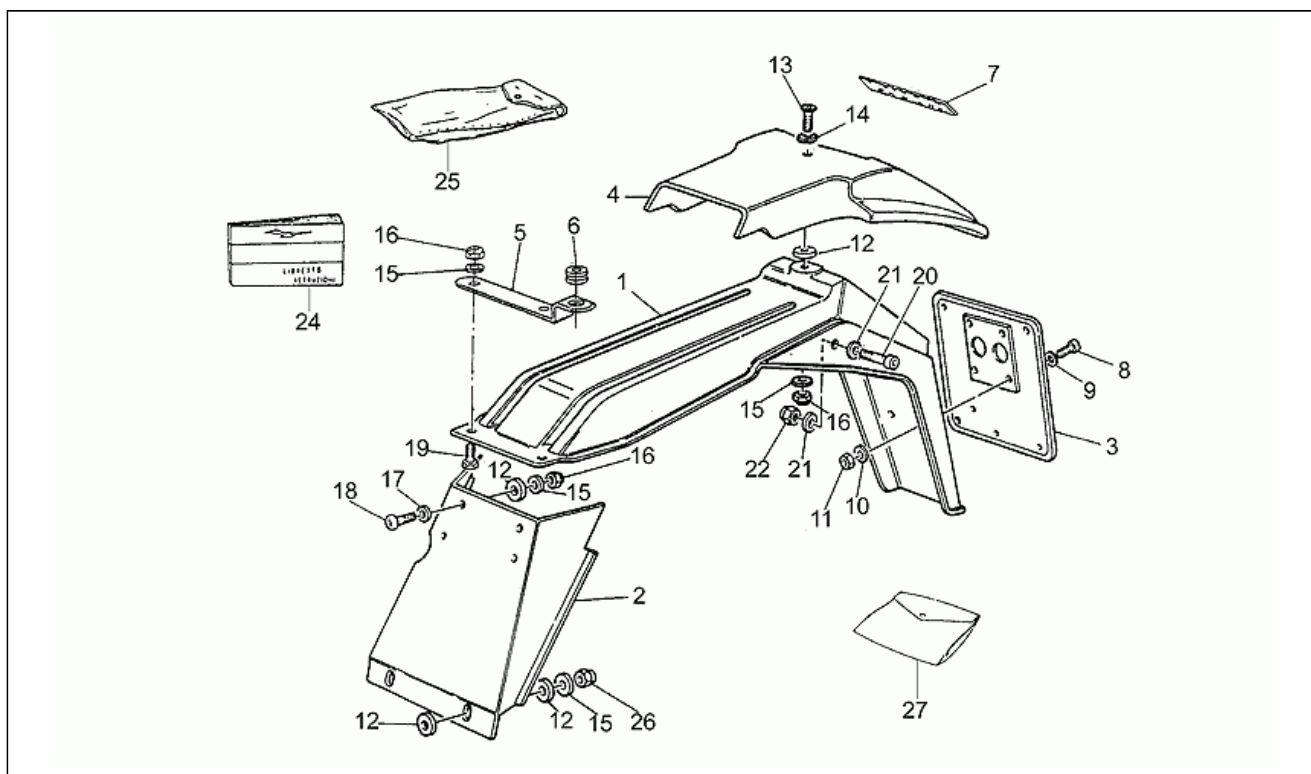
Pos.	Code	Description	Q.ty	Variants
5	GU95001206	Washer	6	Technical Specifications: See spare parts comm.n.038 of 2000[03800N], From frame LX16500[T2]
6	GU95001206	Washer	6	Technical Specifications: See spare parts comm.n.038 of 2000[03800N], From frame LX16500[T2]
6	GU95100121	Washer 5,3x10x0,5	6	Technical Specifications: Until frame <LX16499[T1]
7	GU92630106	Nut M6x1	4	
8	GU31584530	RH protection	1	Color: Milk white 410[m.w]
8	GU31584535	RH protection	1	Color: Police Cyan[p.c]
8	GU31584539	RH protection	1	Color: Carabinieri Blue 240[c.b] Technical Specifications: See spare parts comm.n.003 of 1998[00398N]
8	GU89000006	RH protection	1	Color: Roma Blue 230[r.b] Technical Specifications: See spare parts comm.n.003 of 1998[00398N]
9	GU31584435	Front disc guard	1	Color: Police Cyan[p.c]
9	GU31584436	Front disc guard	1	Color: Milk white 410[m.w]
9	GU31584439	Front disc guard	1	Color: Carabinieri Blue 240[c.b] Technical Specifications: See spare parts comm.n.003 of 1998[00398N]
9	GU89000007	Front disc guard	1	Color: Roma Blue 230[r.b] Technical Specifications: See spare parts comm.n.003 of 1998[00398N]
10	GU98230616	Screw	2	
11	GU98230622	Screw	1	
12	GU66478610	Nylon washer 6X17X1	5	
13	GU93110060	Rubber spacer	5	
14	GU31584630	Plate	1	
15	GU27651315	Hose clamp	4	
16	GU17658260	Ring	2	
17	GU61013800	Special washer	2	
18	GU98612312	Screw	2	

Assembly	FRAME
Code	33.13
Description	Front mudguard
Revision	1



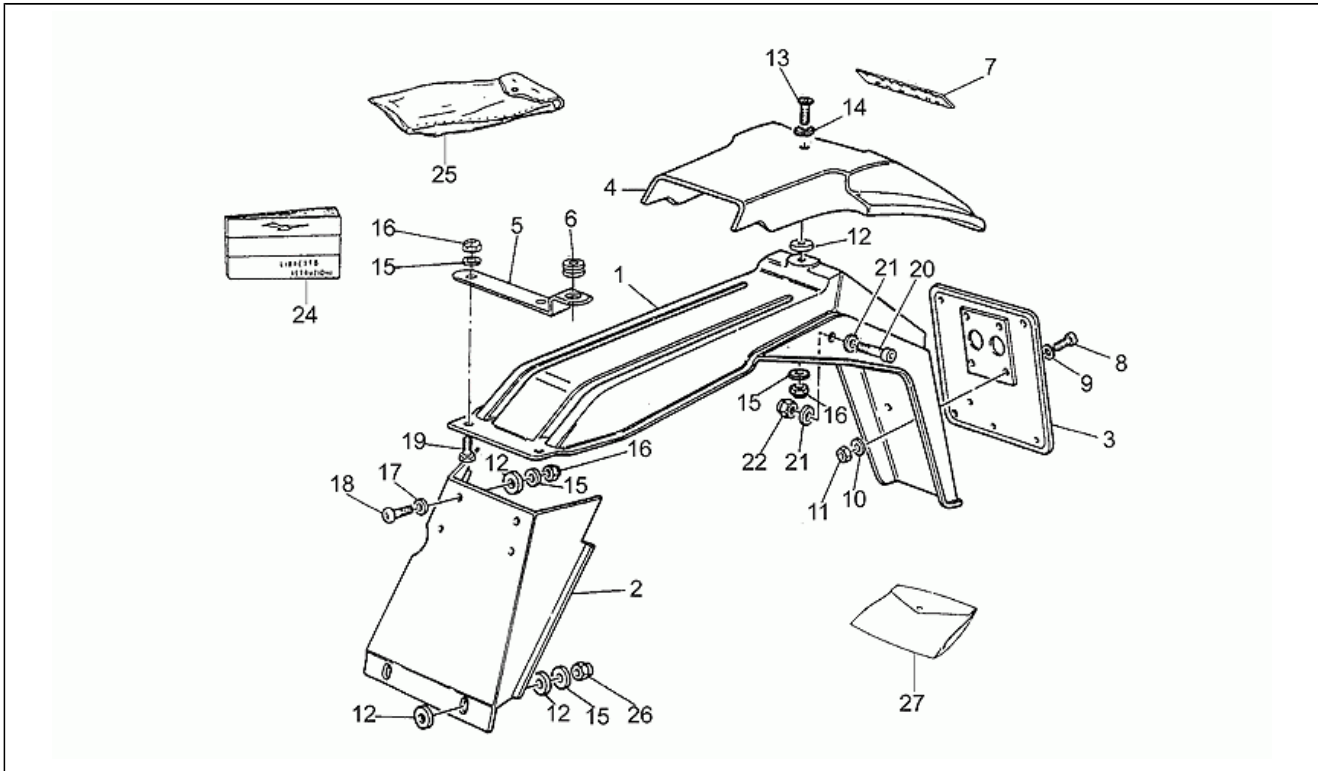
Pos.	Code	Description	Q.ty	Variants
19	GU31583935	Lock plate	1	
20	GU92630206	Nut M6x1	2	
21	GU31659760	Cable-guide	2	
22	GU31434735	Plate	2	Technical Specifications: See spare parts comm.n.038 of 2000[03800N], From frame LX16500[T2]
23	GU98074312	Screw	2	Technical Specifications: See spare parts comm.n.038 of 2000[03800N], From frame LX16500[T2]
24	GU31920535	Front mudguard decal	1	Technical Specifications: See spare parts comm.n.038 of 2000[03800N], From frame LX16500[T2]

Assembly	FRAME
Code	33.14
Description	Rear body - Mudguard
Revision	1



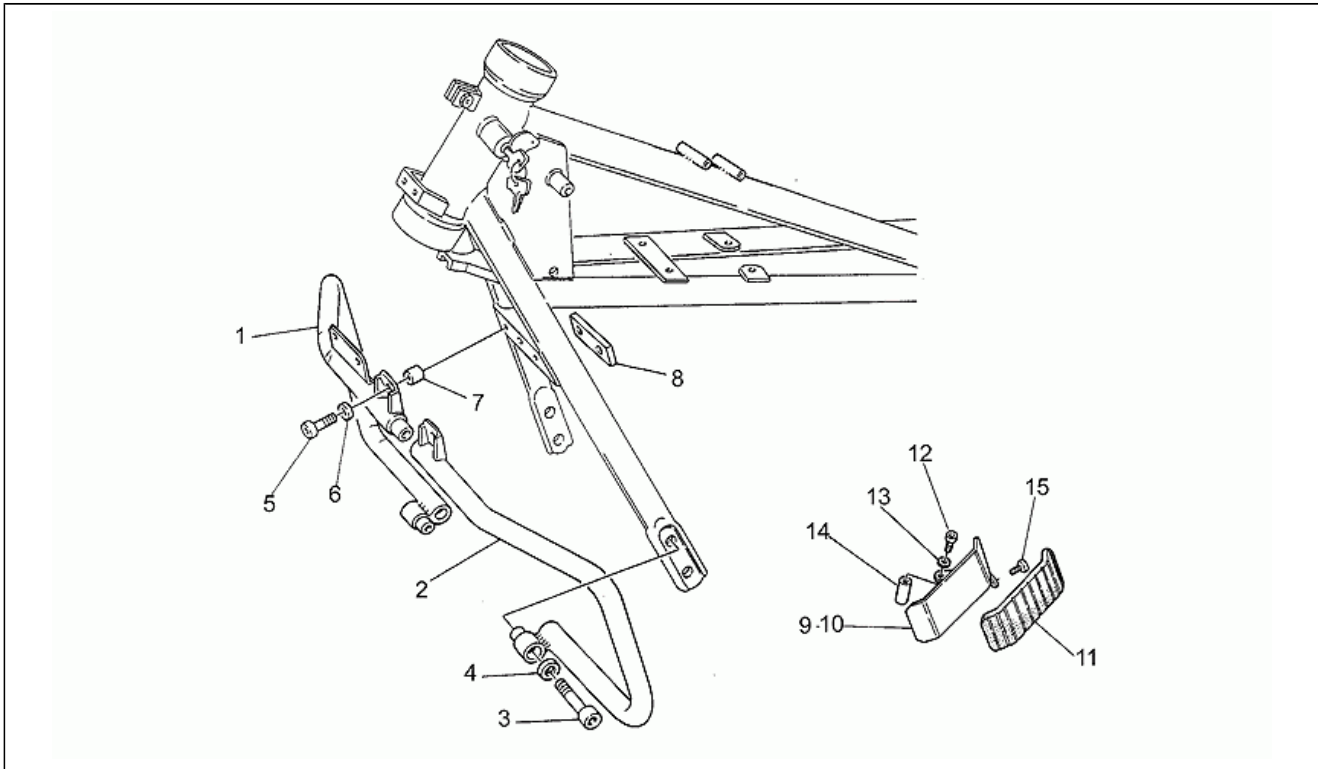
Pos.	Code	Description	Q.ty	Variants
1	GU31437035	Rear mudguard	1	
2	GU27438716	Splash guard	1	
3	GU01474630	Number plate holder	1	Technical Specifications: See spare parts comm.n.038 of 2000[03800N]
4	GU314664301	Rear fairing, blank	1	Color: Blank[gr]
4	GU31466435	Rear fairing, sky blue	1	Color: Police Cyan[p.c]
4	GU31466436	Rear fairing, white	1	Color: Milk white 410[m.w]
4	GU31466439	Rear fairing, Carabinieri blue	1	Color: Carabinieri Blue 240[c.b] Technical Specifications: See spare parts comm.n.003 of 1998[00398N]
4	GU89000013	Rear fairing, Rome blue	1	Color: Roma Blue 230[r.b] Technical Specifications: See spare parts comm.n.003 of 1998[00398N]
5	GU31460935	Clamp	1	
6	GU91551131	Rubber spacer	1	
7	GU28923400	"MotoGuzzi" dec.	1	
8	GU98200410	Screw	4	
9	GU95000204	Washer	4	
10	GU95129080	Washer	4	
11	GU92602204	Nut	4	
12	GU93110060	Rubber spacer	7	
13	GU98326016	Screw	1	
14	GU66478610	Nylon washer 6X17X1	1	
15	GU95100141	Washer 6,4x12x1,2	7	
16	GU92630106	Nut M6x1	5	
17	GU95000206	Washer	2	
18	GU98230630	Screw	2	
19	GU98054320	Hex screw M6X20	2	
20	GU98820435	Screw	2	

Assembly	FRAME
Code	33.14
Description	Rear body - Mudguard
Revision	1



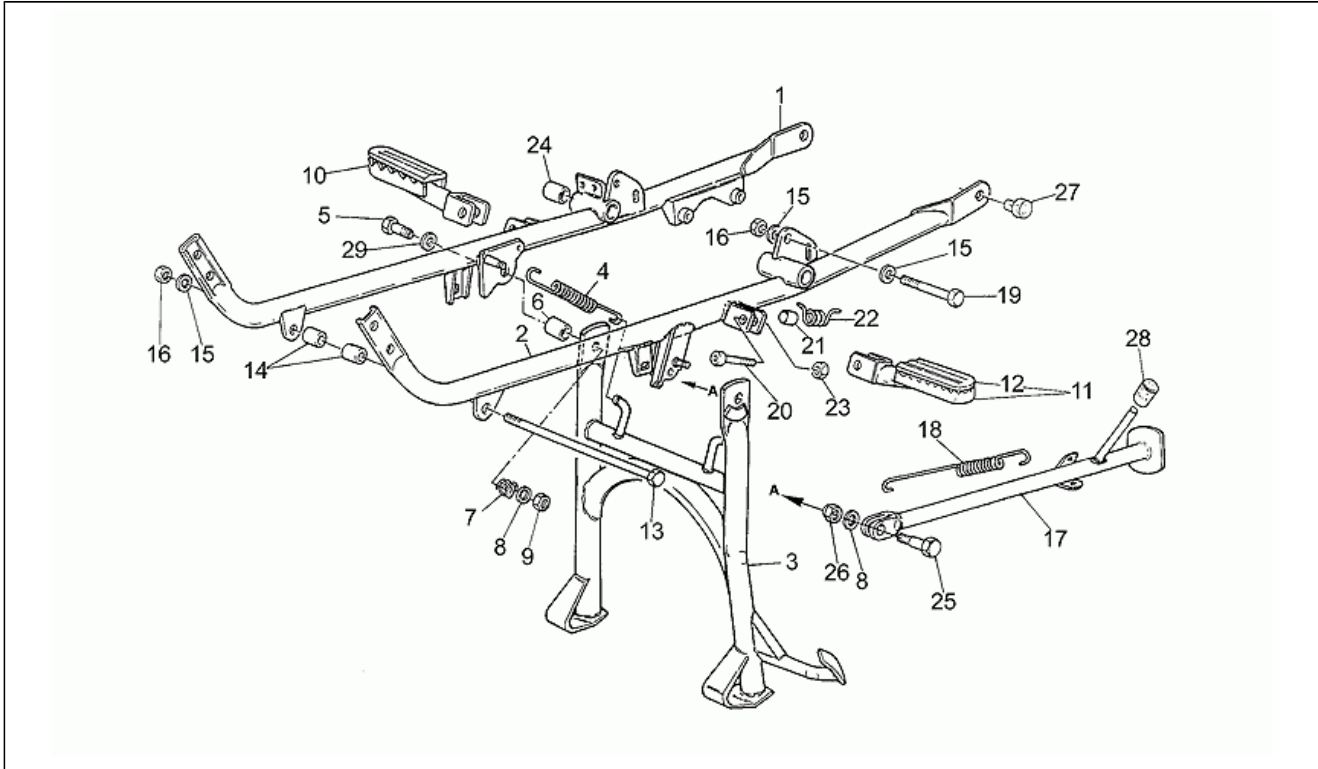
Pos.	Code	Description	Q.ty	Variants
21	GU95100235	Spacer	4	
22	GU92630108	Nut	2	
24	GU27900015	Operator's handbook	1	
24	GU31900035	Operator's handbook	1	Technical Specifications: See spare parts comm.n.038 of 2000[03800N], From frame LX16500[T2]
25	GU20909920	Toolkit	1	Technical Specifications: See spare parts comm.n.038 of 2000[03800N], From frame LX16500[T2]
25	GU28929940	Toolkit	1	Technical Specifications: Until frame <LX16499[T1]
26	GU92630206	Nut M6x1	2	
27	GU30970200	Bike cover	1	Technical Specifications: See spare parts comm.n.038 of 2000[03800N], From frame LX16500[T2]

Assembly	FRAME
Code	33.15
Description	Front bumper kit
Revision	1



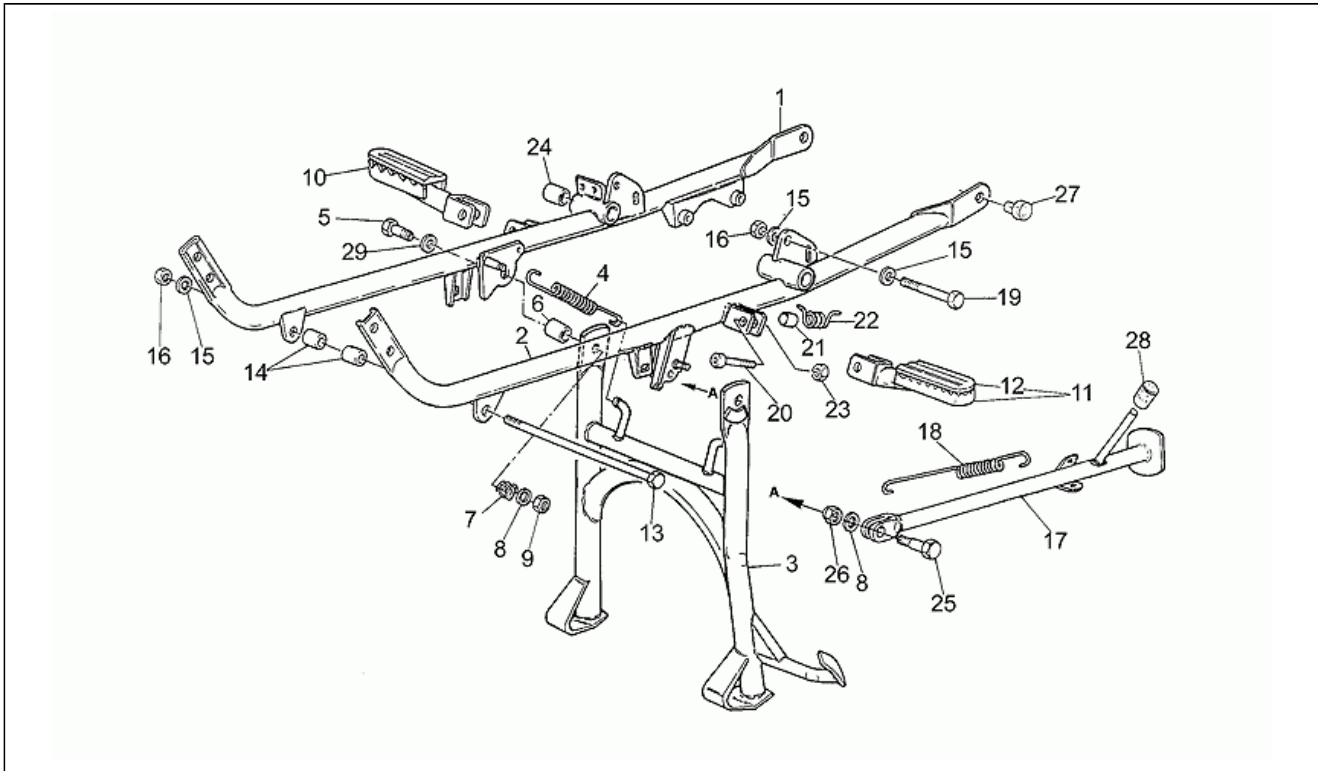
Pos.	Code	Description	Q.ty	Variants
1	GU31450335	RH front bumper	1	
2	GU31450435	LH front bumper	1	
3	GU98610550	Screw	2	
4	GU95120105	Washer	2	
5	GU98230822	Top screw	2	
6	GU95004208	Washer	2	
7	GU91180802	Spacer	2	
8	GU17451750	Plate	1	
9	GU19941095	RH protection	1	
10	GU19941495	LH protection	1	
11	GU18941750	Rubber spacer	2	
12	GU98620350	Hex socket screw M6X50	2	
13	GU61013800	Special washer	2	
14	GU91180721	Spacer	2	
15	GU98610330	Screw M6x30	2	

Assembly	FRAME
Code	33.16
Description	Cradle-Foot rests-Stands
Revision	1



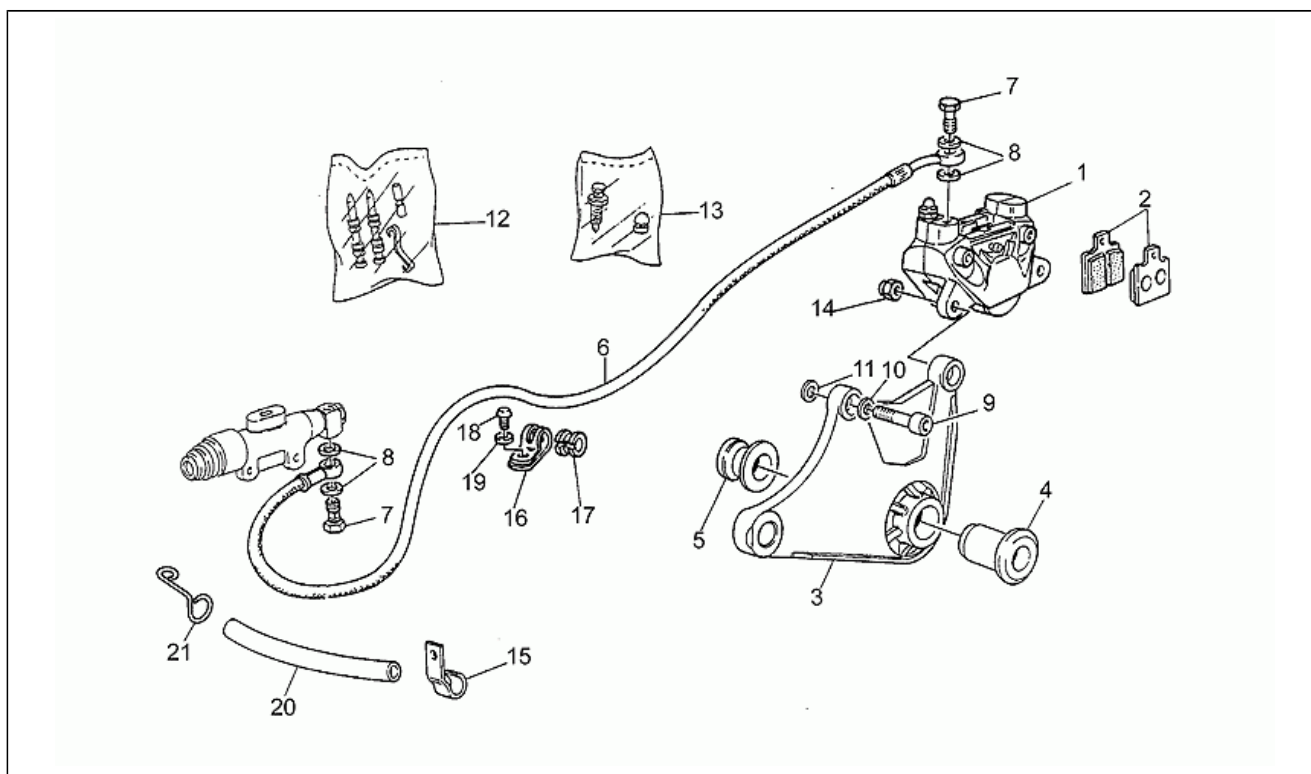
Pos.	Code	Description	Q.ty	Variants
1	GU31420331	RH cradle arm	1	
2	GU31422136	LH cradle arm	1	
3	GU31430335	Central stand	1	
4	GU12434001	Lateral stand spring	1	
5	GU98054535	Hex screw M10X35	2	
6	GU91181114	Spacer	2	
7	GU94322215	Spring	2	
8	GU95000210	Washer	3	
9	GU92630110	Nut M10X1,5	2	
10	GU27440210	RH Foot rests	1	
11	GU27441310	LH Foot rests	1	
12	GU27443210	Footrest rubber	2	
13	GU27429515	Screw	1	
14	GU19017000	Bush	1	
15	GU95007210	Washer	5	
16	GU92601210	Nut	3	
17	GU31432036	Side arm black	1	
18	GU19434000	Spring	2	
19	GU98072565	Screw	2	
20	GU98610445	Screw	2	
21	GU91180817	Spacer	2	
22	GU27441110	Spring	2	
23	GU92630108	Nut	2	
24	GU28252060	Bush 18 mm est.	4	
25	GU99105117	Stand pin	1	
26	GU92630210	Nut	1	
27	GU12433000	Drift	2	
28	GU14423800	Rubber spacer	1	

Assembly	FRAME
Code	33.16
Description	Cradle-Foot rests-Stands
Revision	1



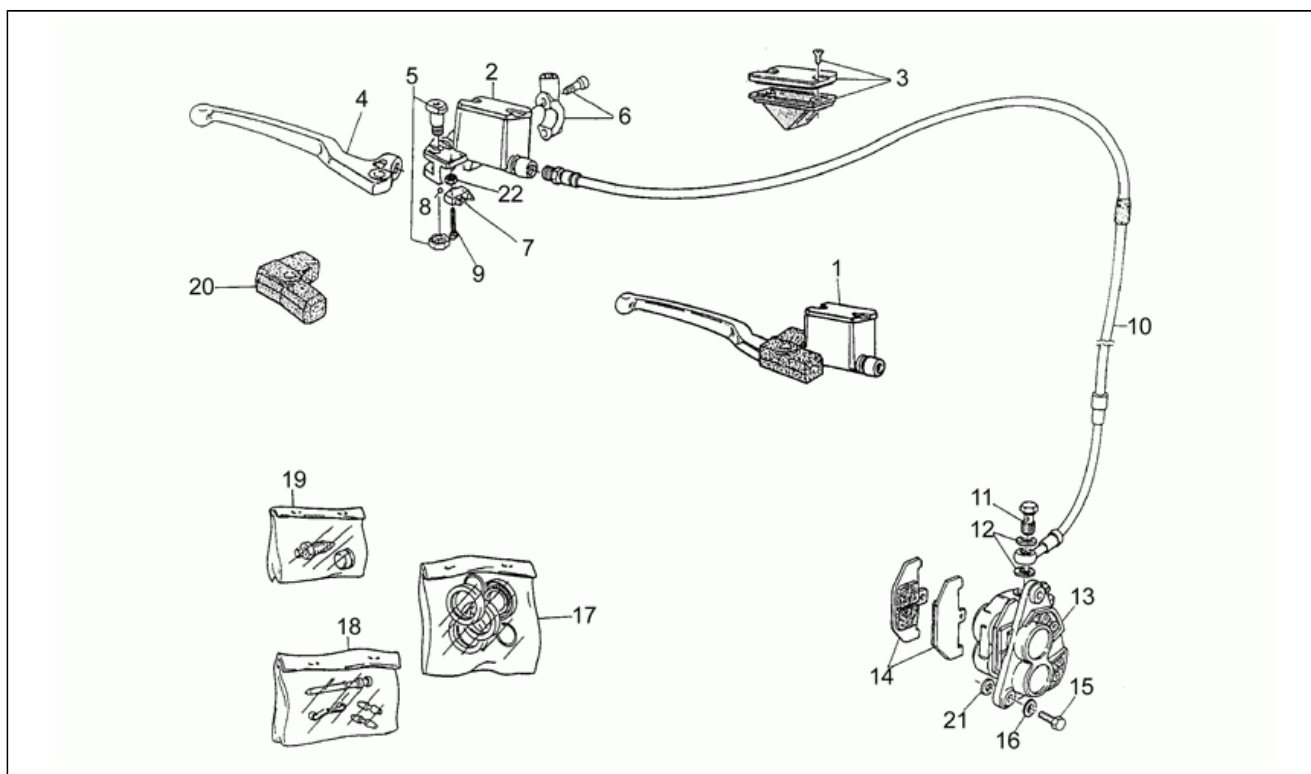
Pos.	Code	Description	Q.ty	Variants
29	GU95100337	Washer	2	

Assembly	FRAME
Code	33.17
Description	Rear brake caliper
Revision	1



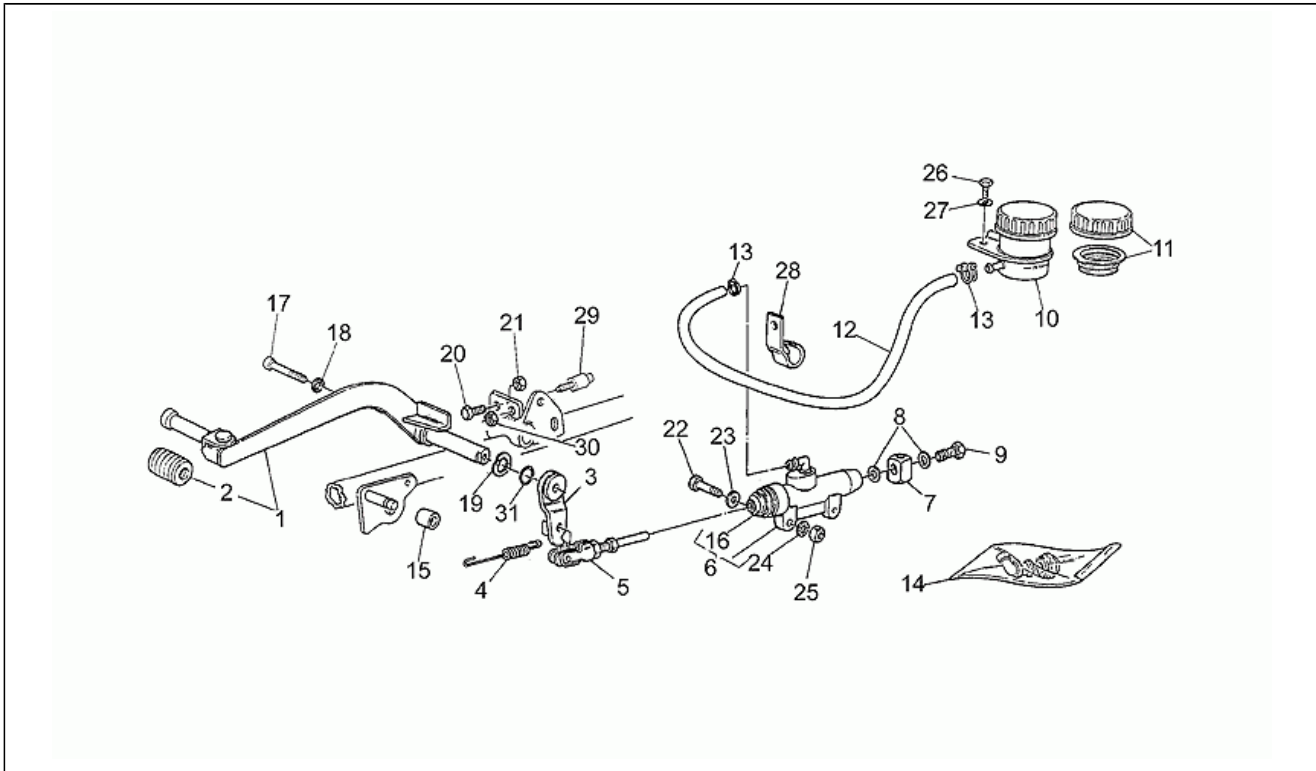
Pos.	Code	Description	Q.ty	Variants
1	GU23653011	Rear brake caliper	1	
2	GU31654660	Pads pair	1	
3	GU27635811	Brake hanger plate	1	
4	GU31634230	Bush	1	
5	GU31634130	Spacer	1	
6	GU27657110	Rear brake hose	1	Technical Specifications: Until frame >LX15529[T5]
6	GU30658561	Rear brake hose	1	Technical Specifications: See technical comm.n.297 of 1995[29795C], From frameLX15530[T6]
7	GU95990028	Oil pipe screw *	2	
8	GU25656100	Gasket	4	
9	GU98612425	Screw	2	
10	GU61270300	Spring washer 8x15x0,3	2	
11	GU95100250	Washer 8,5X18X0,5	1	
11	GU95100251	Washer 8,5X18X0,8	1	
12	GU31659160	Pins+spring BREMBO	1	
13	GU31659260	Bleeder+cap BREMBO D.10	1	
14	GU92630108	Nut	1	
15	GU62436500	Hose clamp	1	
16	GU17658460	Hose clamp	1	
17	GU17658260	Ring	1	
18	GU98230612	Screw	1	
19	GU95000206	Washer	1	
20	GU17659850	Sheath	1	
21	GU28659700	Cable-guide	1	Technical Specifications: Until frame <LX16499[T1]
21	GU31659735	Cable-guide	1	Technical Specifications: See spare parts comm.n.038 of 2000[03800N], From frame LX16500[T2]

Assembly	FRAME
Code	33.18
Description	Front master cilinder
Revision	1



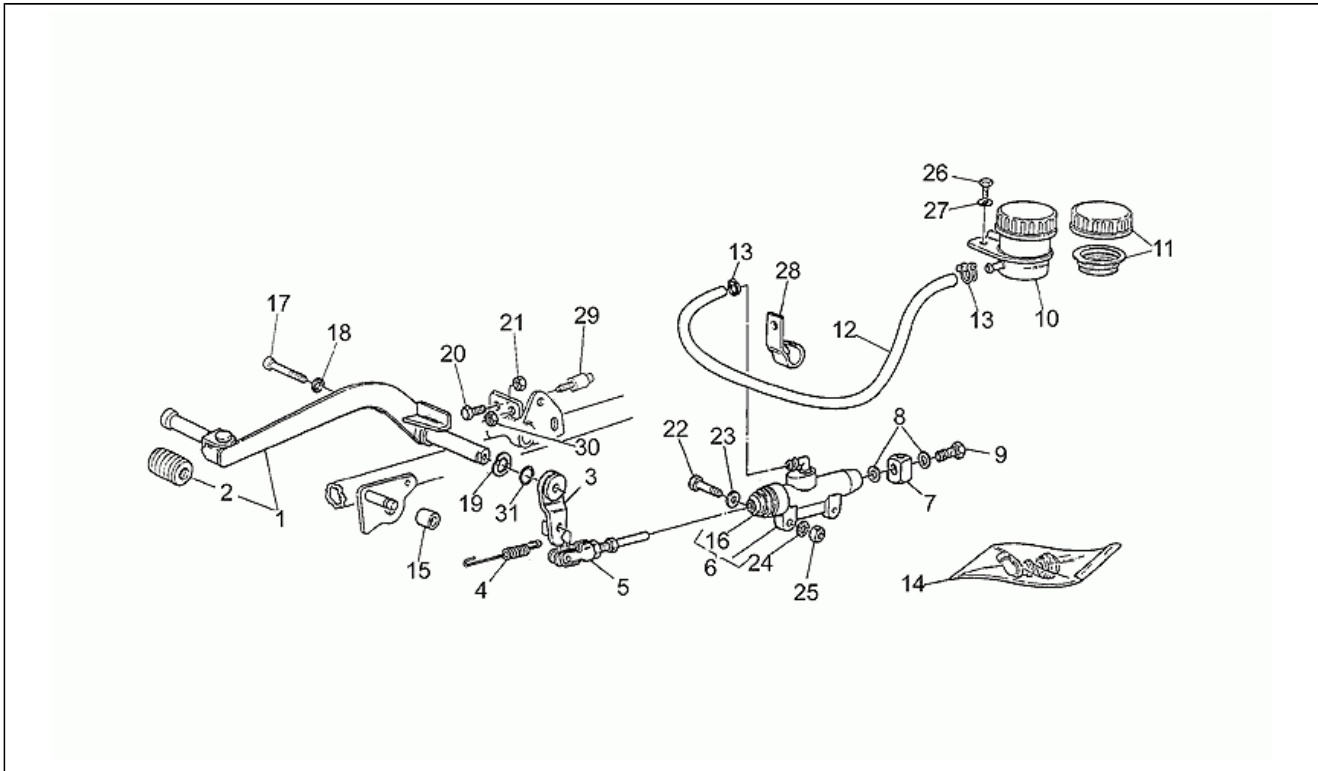
Pos.	Code	Description	Q.ty	Variants
1	GU30660180	Front master cilinder	1	
2	GU28660278	Front master cilinder	1	
3	GU27661115	Pump cover	1	
4	GU30605680	Brake lever	1	
5	GU27604815	Pin	1	
6	GU27664075	Bracket	1	
7	GU30749860	Microswitch	1	
8	GU92295708	Ball	1	
9	GU98200214	Screw	2	
10	GU27658575	Front brake hose	1	
11	GU95990028	Oil pipe screw *	1	
12	GU25656100	Gasket	2	
13	GU27652350	Front brake caliper	1	
14	GU27654650	Pads pair	1	
15	GU98074530	Screw	2	
16	GU95129180	Washer 10,5X18X0,8	2	
17	GU27659050	Brake caliper rev. kit	1	
18	GU27659150	Pins+Caliper springs	1	
19	GU31659260	Bleeder+cap BREMBO D.10	1	
20	GU27663615	Cap	1	
21	GU91181003	Spacer 10,25X20X4	2	Technical Specifications: See spare parts comm.n.038 of 2000[03800N], From frame LX16500[T2]
21	GU95100250	Washer 8,5X18X0,5	1	Technical Specifications: Until frame <LX16499[T1]
21	GU95100251	Washer 8,5X18X0,8	1	Technical Specifications: Until frame <LX16499[T1]
22	GU92601002	Nut	2	

Assembly	FRAME
Code	33.19
Description	Rear master cylinder
Revision	1



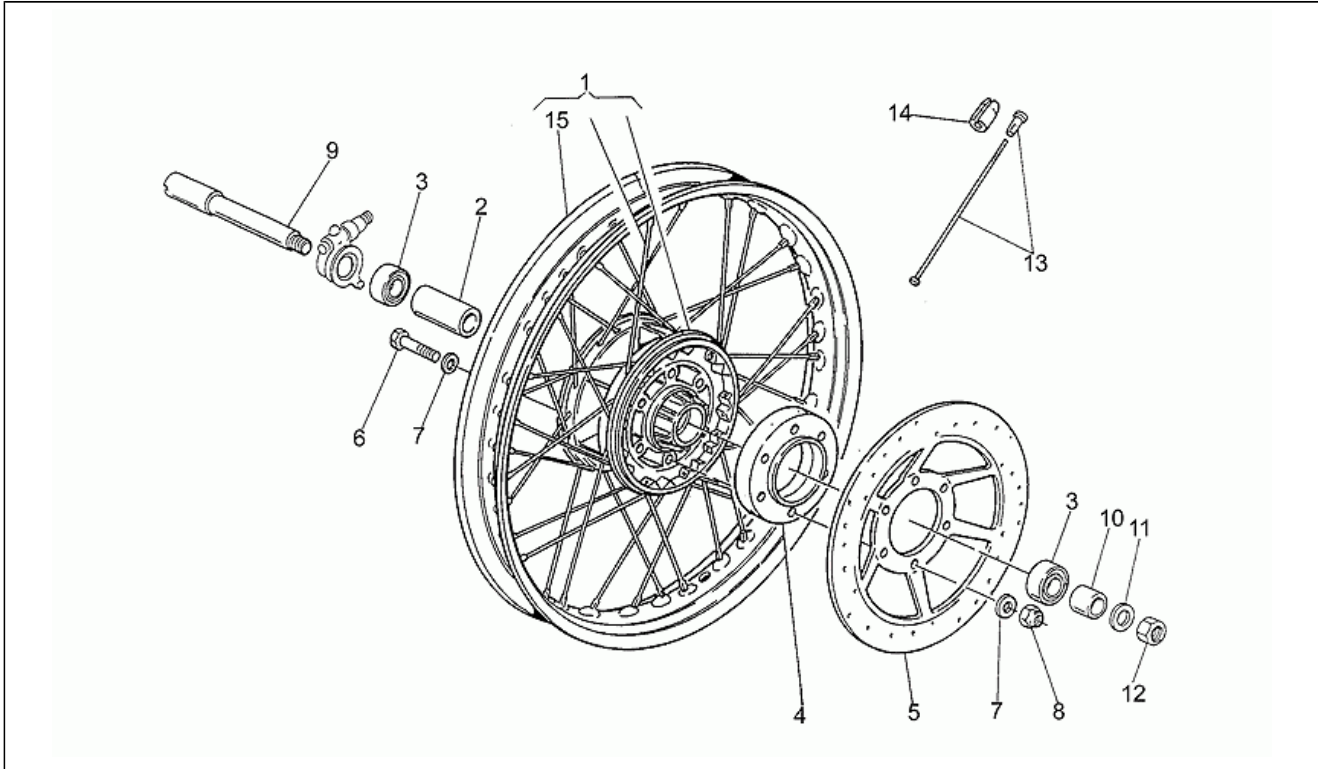
Pos.	Code	Description	Q.ty	Variants
1	GU27677015	Brake lever	1	
2	GU27251015	Rubber spacer	1	Technical Specifications: Until frame <LX16499[T1]
2	GU30251025	Rubber spacer	1	Technical Specifications: See spare parts comm.n.038 of 2000[03800N], From frame LX16500[T2]
3	GU27667515	Lever	1	
4	GU31667635	Spring	1	
5	GU27675016	Master cylinder rod	1	
6	GU30667030	Rear master cylinder	1	
7	GU27668015	Union	1	
8	GU25656100	Gasket	2	
9	GU95990027	Oil pipe screw	1	
10	GU65663500	Brake oil tank	1	
11	GU17661052	Tank cap	1	
12	GU00823950050	Oil pipe	1	
13	GU19157800	Hose clamp	2	
14	GU27659515	Rear brake pump union	1	
15	GU91181114	Spacer	1	
16	GU27530593	Guard	1	
17	GU98620345	Screw M6X45	1	
18	GU14217901	Washer 6,4x10x0,7	1	
19	GU95129260	Spring washer	1	
20	GU98074320	Screw	1	
21	GU92601206	Nut	1	
22	GU98072330	Screw	2	
23	GU95004206	Washer 6,15x11x0,8	2	
24	GU95021106	Notched washer	2	
25	GU92601206	Nut	2	
26	GU98054214	Screw	2	

Assembly	FRAME
Code	33.19
Description	Rear master cylinder
Revision	1



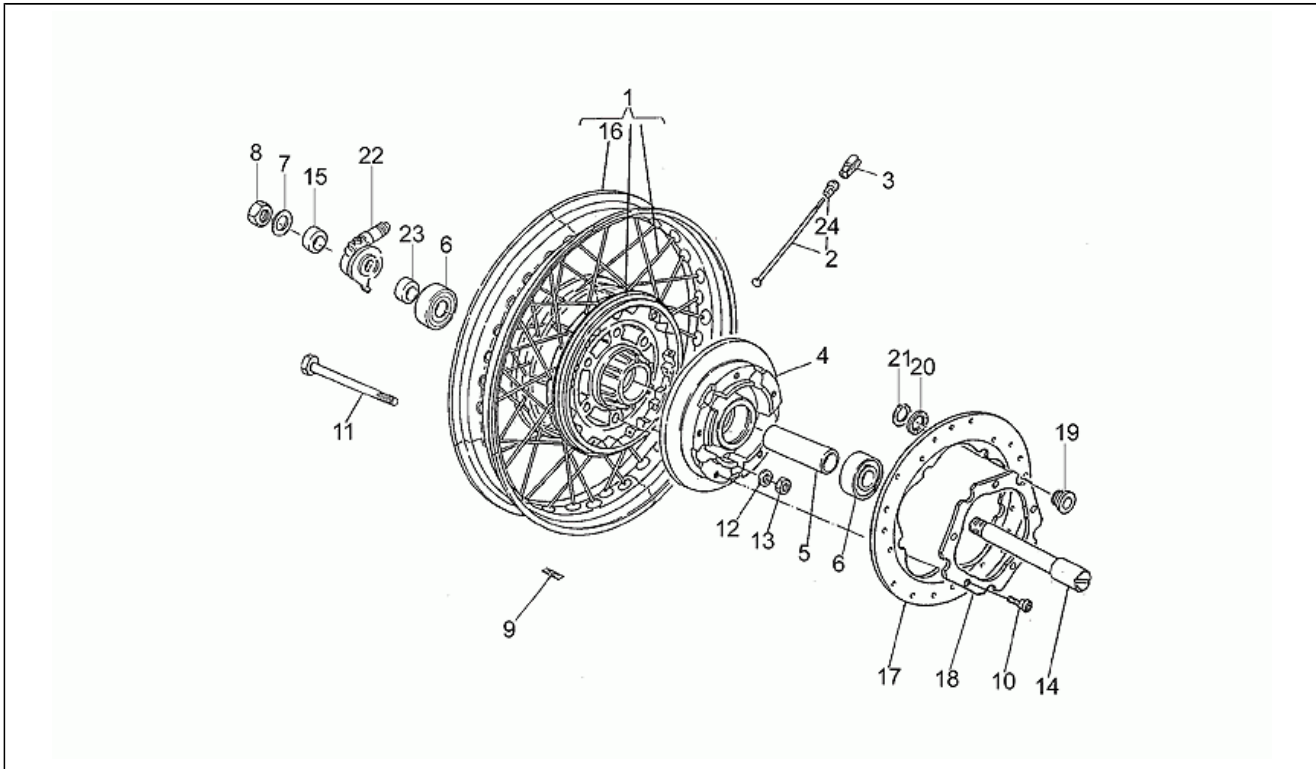
Pos.	Code	Description	Q.ty	Variants
27	GU95100059	Washer 5,25x14x1,5	2	
28	GU19718000	Hose clamp	1	
29	GU39741150	Brake light switch	1	
30	GU92700071	Nut	1	
31	GU90706141	O-ring	2	

Assembly	FRAME
Code	33.20
Description	Front wheel<LX16499
Revision	1



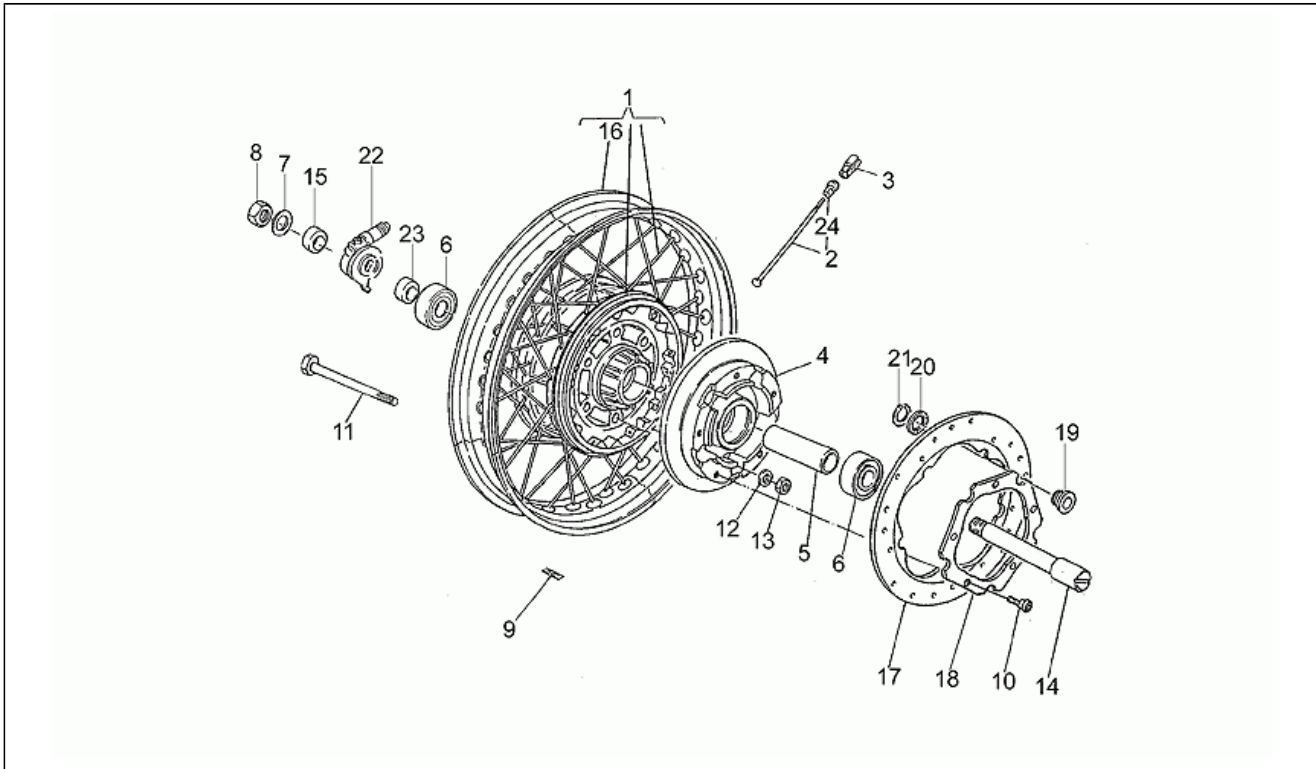
Pos.	Code	Description	Q.ty	Variants
1	GU23610370	Front wheel	1	
2	GU19615235	Spacer	1	
3	GU92204217	Bearing	2	
4	GU27611210	Flange	1	
5	GU31613335	Brake disc	1	
6	GU98052470	Screw	6	
7	GU95004208	Washer	12	
8	GU92630108	Nut	6	
9	GU31614130	Front wheel spindle	1	
10	GU27616310	Spacer	1	
11	GU95004217	Washer 17X27X2	1	
12	GU92602316	Nut M6X1,5	1	
13	GU39611601	Spoke	36	
14	GU27616110	Counterweight 10 gr.	1	
14	GU27616111	Counterweight 15 gr.	1	
14	GU27616112	Counterweight 20 gr.	1	
14	GU27616113	Counterweight 30 gr.	1	
15	GU23610870	Front wheel 2,15x18"	1	

Assembly	FRAME
Code	33.21
Description	Front wheel LX16500>
Revision	1



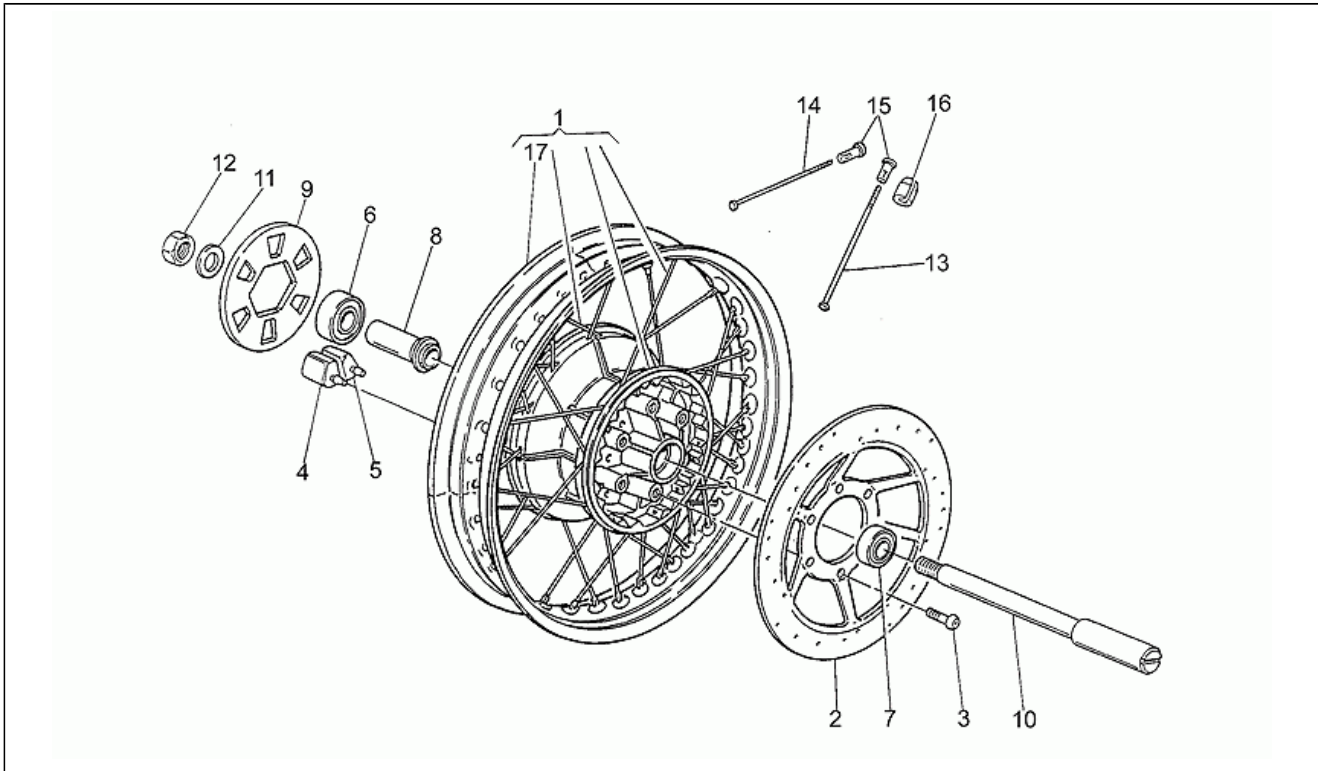
Pos.	Code	Description	Q.ty	Variants
1	GU31610365	Front wheel 2,15x18"	1	Technical Specifications: See spare parts comm.n.038 of 2000[03800N]
2	GU39611601	Spoke	36	Technical Specifications: See spare parts comm.n.038 of 2000[03800N]
3	GU12616101	Counterweight 15 gr.	1	Technical Specifications: See spare parts comm.n.038 of 2000[03800N]
3	GU12616102	Counterweight 20 gr.	1	Technical Specifications: See spare parts comm.n.038 of 2000[03800N]
3	GU12616103	Counterweight 30 gr.	1	Technical Specifications: See spare parts comm.n.038 of 2000[03800N]
4	GU31620365	Flange	1	Technical Specifications: See spare parts comm.n.038 of 2000[03800N]
5	GU31615260	Spacer	1	Technical Specifications: See spare parts comm.n.038 of 2000[03800N]
6	GU92204221	Bearing	2	Technical Specifications: See spare parts comm.n.038 of 2000[03800N]
7	GU95004217	Washer 17X27X2	1	Technical Specifications: See spare parts comm.n.038 of 2000[03800N]
8	GU92602516	Nut M16X1,5	1	Technical Specifications: See spare parts comm.n.038 of 2000[03800N]
9	GU31619865	Name plate "Moto Guzzi"	1	Technical Specifications: See spare parts comm.n.038 of 2000[03800N]
10	GU30611460	Screw	10	Technical Specifications: See spare parts comm.n.038 of 2000[03800N]
11	GU98052460	Screw	5	Technical Specifications: See spare parts comm.n.038 of 2000[03800N]
12	GU14615901	Washer 8,4X13X0,8	5	Technical Specifications: See spare parts comm.n.038 of 2000[03800N]
13	GU92630508	Nut	5	Technical Specifications: See spare parts comm.n.038 of 2000[03800N]
14	GU28614100	Front wheel spindle	1	Technical Specifications: See spare parts comm.n.038 of 2000[03800N]

Assembly	FRAME
Code	33.21
Description	Front wheel LX16500>
Revision	1



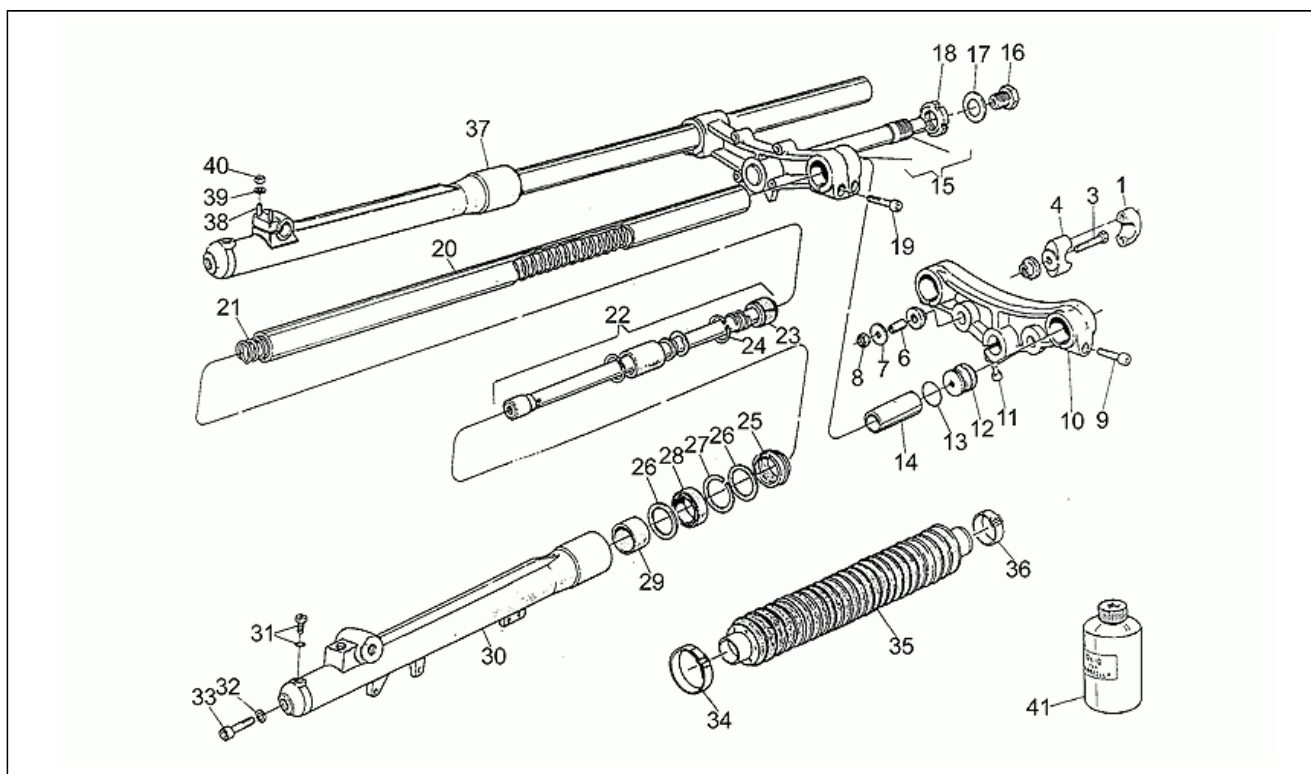
Pos.	Code	Description	Q.ty	Variants
15	GU91182027	Spacer	1	Technical Specifications: See spare parts comm.n.038 of 2000[03800N]
16	GU23610870	Front wheel 2,15x18"	1	Technical Specifications: See spare parts comm.n.038 of 2000[03800N]
17	GU31613635	Front brake disc	2	Technical Specifications: See spare parts comm.n.038 of 2000[03800N]
18	GU30613760	Flange	2	Technical Specifications: See spare parts comm.n.038 of 2000[03800N]
19	GU28613560	Bush	10	Technical Specifications: See spare parts comm.n.038 of 2000[03800N]
20	GU28618860	Belleville spring	10	Technical Specifications: See spare parts comm.n.038 of 2000[03800N]
21	GU90271022	Circlip	10	Technical Specifications: See spare parts comm.n.038 of 2000[03800N]
22	GU31762561	Odometer gear	1	Technical Specifications: See spare parts comm.n.038 of 2000[03800N]
23	GU91182007	Spacer	1	Technical Specifications: See spare parts comm.n.038 of 2000[03800N]
24	GU55611700	Nipple	36	Technical Specifications: See spare parts comm.n.038 of 2000[03800N]

Assembly	FRAME
Code	33.22
Description	Rear wheel
Revision	1



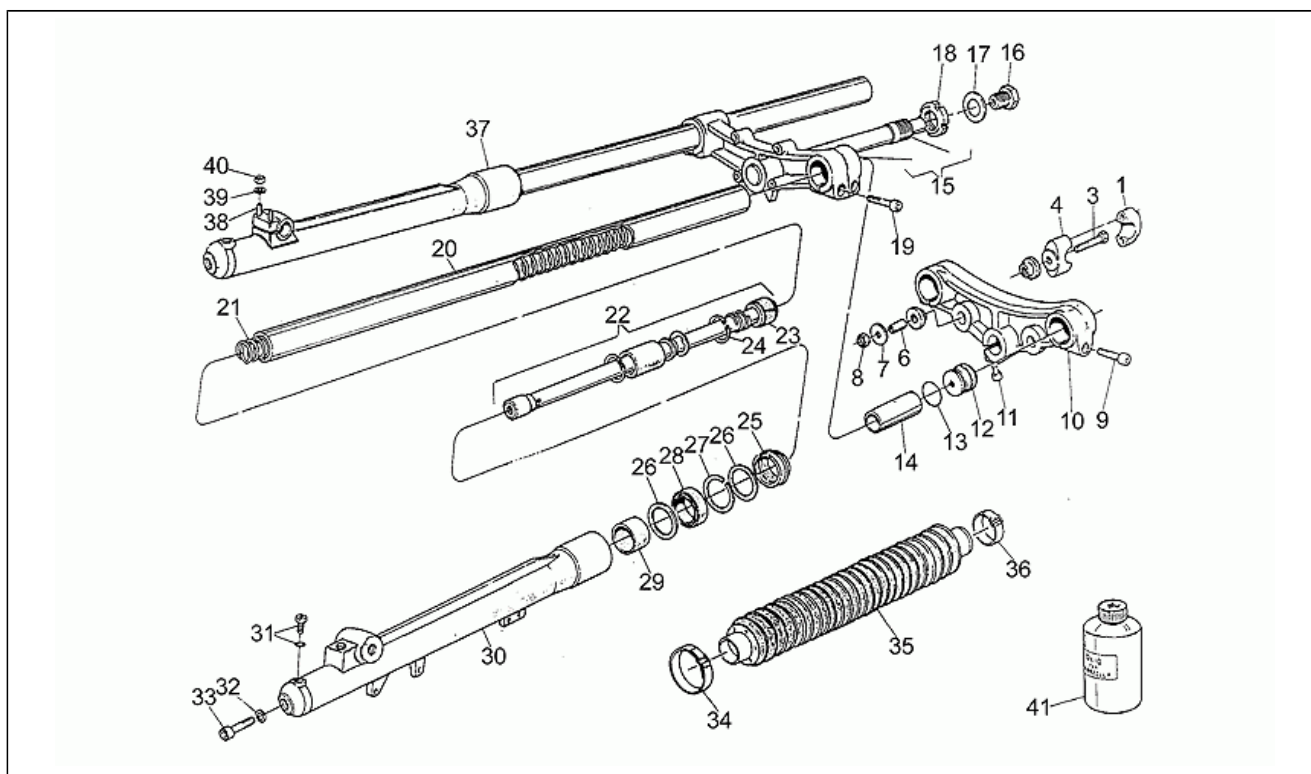
Pos.	Code	Description	Q.ty	Variants
1	GU23630370	Rear wheel	1	
2	GU31613335	Brake disc	1	
3	GU98612425	Screw	6	
4	GU19632501	RH rubber coupling	6	
5	GU19632502	LH rubber coupling	6	
6	GU92204218	Bearing	1	
7	GU92204217	Bearing	1	
8	GU27633910	Spacer	1	
9	GU27356910	Spacer	1	
10	GU31633330	Rear wheel spindle	1	
11	GU14634400	Washer	1	
12	GU92602316	Nut M6X1,5	1	
13	GU23631470	Long spoke	18	
14	GU23631170	Short spoke	18	
15	GU27631250	Nipples	36	
16	GU27616110	Counterweight 10 gr.	1	
16	GU27616111	Counterweight 15 gr.	1	
16	GU27616112	Counterweight 20 gr.	1	
16	GU27616113	Counterweight 30 gr.	1	
17	GU23630770	Rear wheel 250x16"	1	

Assembly	FRAME
Code	33.23
Description	Front shock absorber
Revision	1



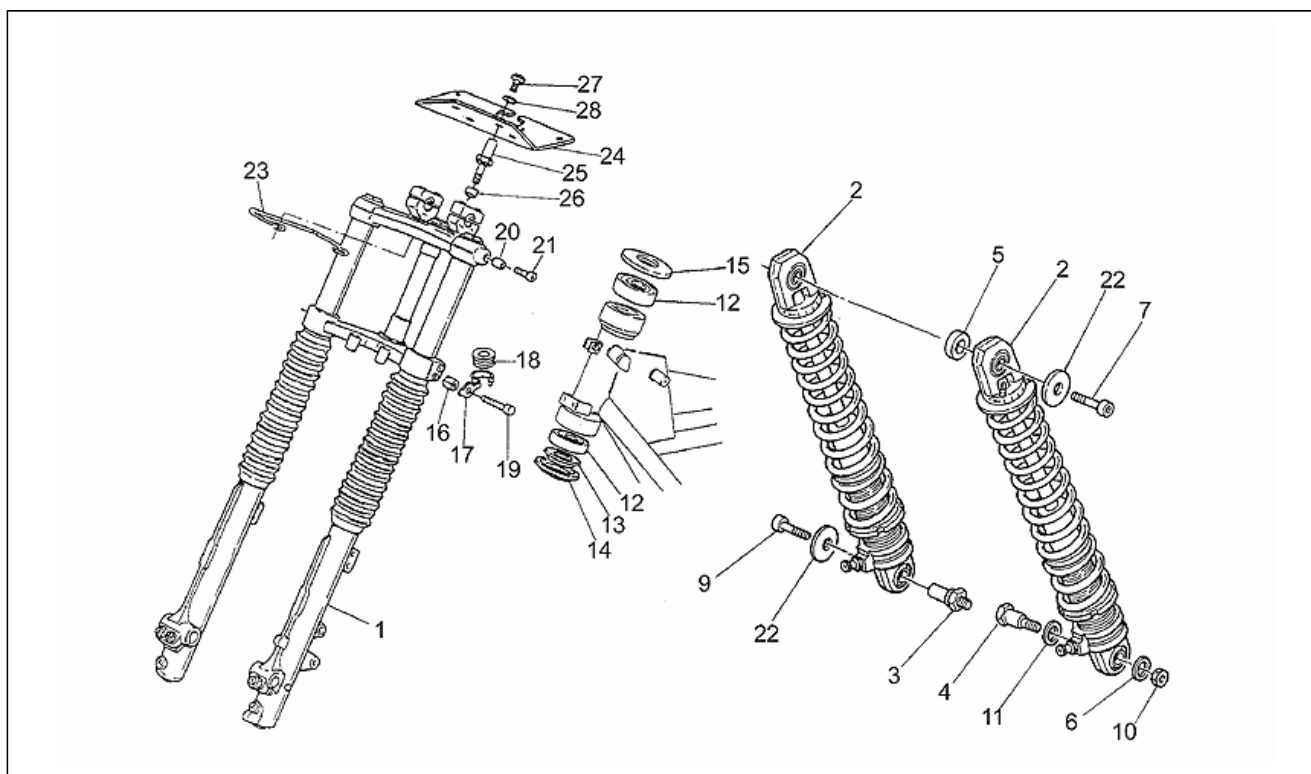
Pos.	Code	Description	Q.ty	Variants
1	GU27530501	Upper U-bolt, black	2	
3	GU66530501	Screw	2	
4	GU66500510	Lower U-bolt, black	2	
6	GU27530504	Pipe	2	
7	GU27530505	Cup	2	
8	GU27530506	Nut	2	
9	GU66530504	Screw	2	
10	GU27493170	Fork head black	1	
11	GU66530505	Screw M8x30	4	
12	GU27530575	Plug	2	
13	GU27530576	O-ring	2	
14	GU31526336	Pipe	2	
15	GU27494070	Bottom plate, black	1	
16	GU27530509	Nut	1	
17	GU27530510	Washer	1	
18	GU27530511	Ring nut	1	
19	GU98620335	Screw M6X35	4	
20	GU27525415	Sleeve	2	
21	GU31526636	Spring	2	
22	GU27530578	Plunger, complete	2	
23	GU27530579	Gasket ring	2	
24	GU27530580	Stop ring	2	
25	GU27530581	Dust cover	2	
26	GU27530582	Washer	4	
27	GU27530583	Snap ring	2	
28	GU27530584	Gasket ring 40x52x9,5	2	
29	GU27530585	Bush	2	
30	GU27522670	LH sleeve	1	Technical Specifications:Until frame <LX16499[T1]

Assembly	FRAME
Code	33.23
Description	Front shock absorber
Revision	1



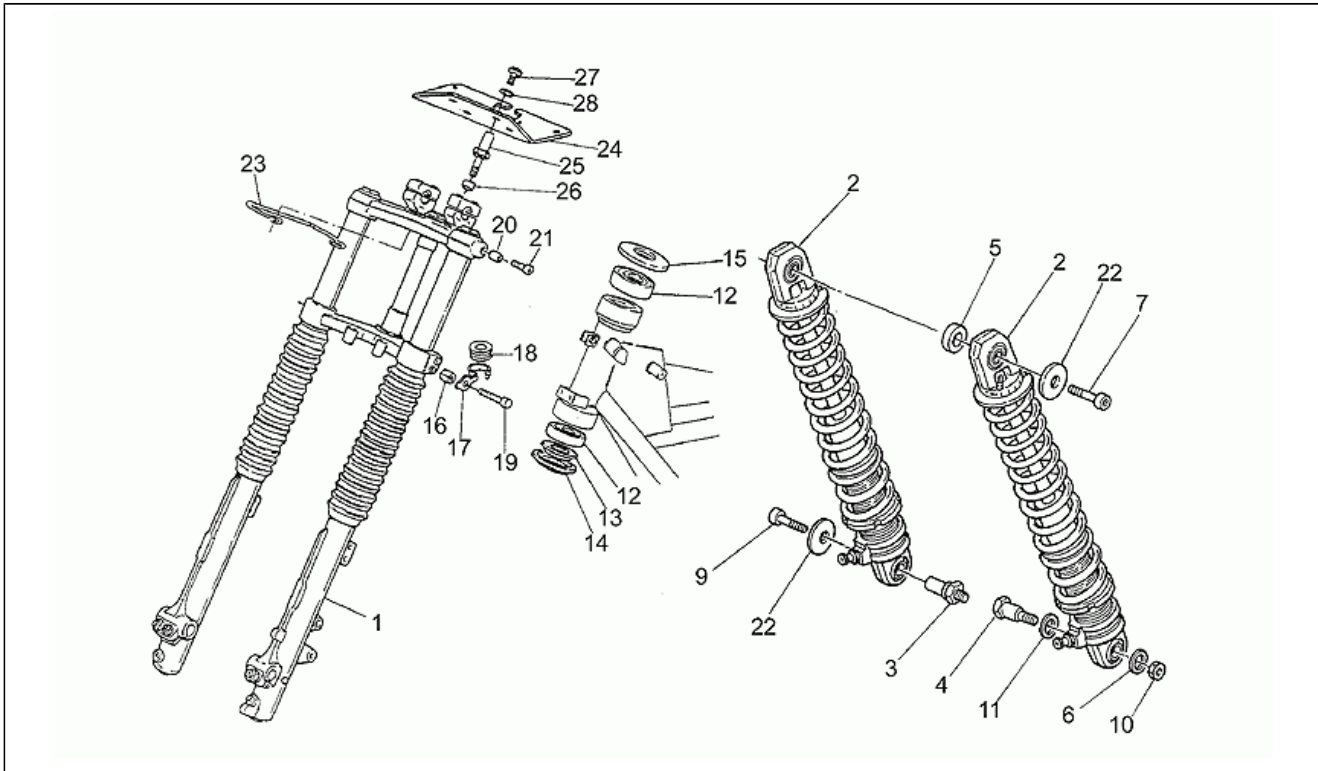
Pos.	Code	Description	Q.ty	Variants
30	GU31522637	RH sleeve	1	Technical Specifications: See spare parts comm.n.038 of 2000[03800N], From frame LX16500[T2]
31	GU27530523	Screw	2	
32	GU27530591	Washer	2	
33	GU27530592	Screw	2	
34	GU27530586	Hose clamp	2	
35	GU27530530	Anti-dust tube	2	
36	GU27530587	Hose clamp	2	
37	GU27522570	RH sleeve	1	Technical Specifications: Until frame <LX16499[T1]
37	GU31522537	RH sleeve	1	Technical Specifications: See spare parts comm.n.038 of 2000[03800N], From frame LX16500[T2]
38	GU27530522	Stud bolt	2	
39	GU27530521	Washer	2	
40	GU27530520	Self-locking nut	2	
41	GU27530531	Engine oil SAE 20	1	

Assembly	FRAME
Code	33.24
Description	Front/rear shock absorber
Revision	1



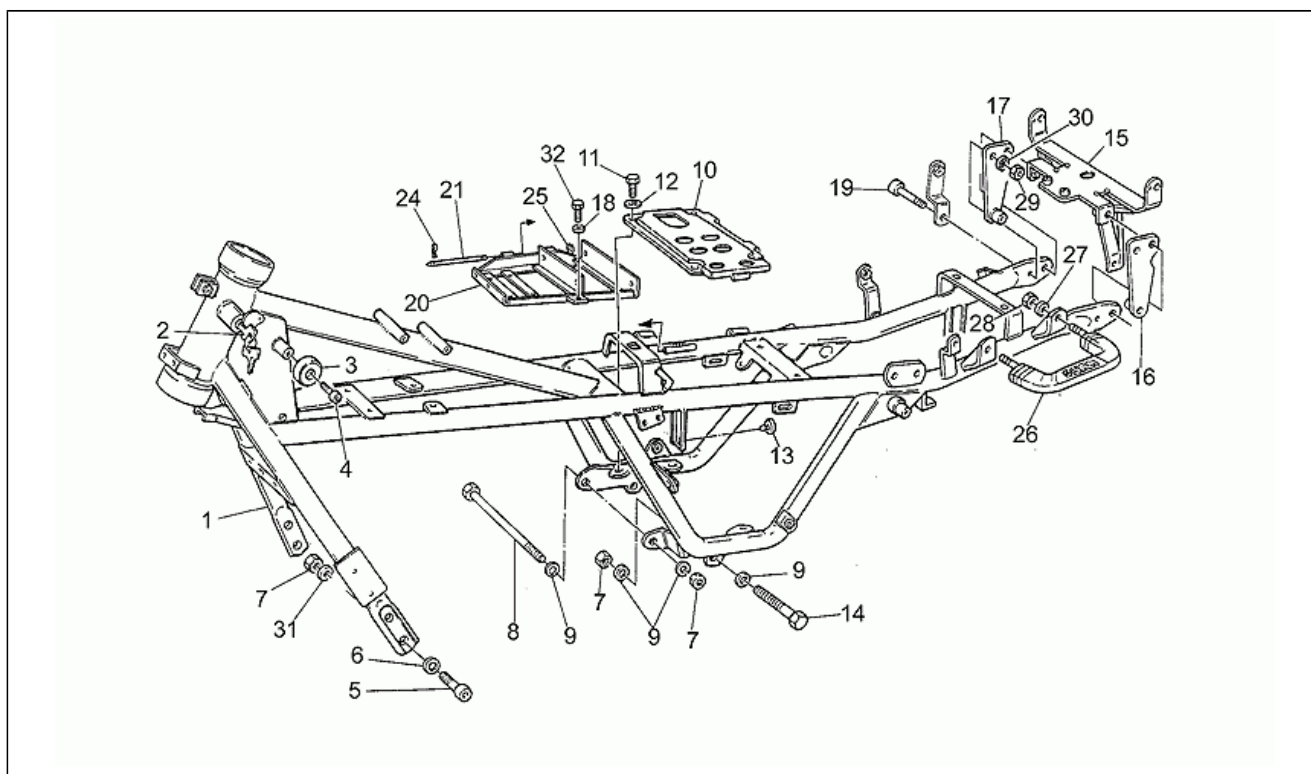
Pos.	Code	Description	Q.ty	Variants
1	GU31490236	Front fork	1	Technical Specifications: Until frame <LX16499[T1]
1	GU31490237	Front fork	1	Technical Specifications: See spare parts comm.n.038 of 2000[03800N], From frame LX16500[T2]
2	GU31550235	Bitubo rear shock absorber	2	
3	GU23555281	Pin	1	
4	GU23555280	Pin	1	
5	GU91181407	Spacer	2	
6	GU95007210	Washer	1	
7	GU98812420	Screw	2	
9	GU98812416	Screw	1	
10	GU92602411	Nut	1	
11	GU23557690	Washer	1	
12	GU92249225	Tap.roller bearing	2	
13	GU14516700	Clearance washer	2	
14	GU14517000	Dust cover	2	
15	GU14494600	Cup	1	
16	GU27504915	Spacer	1	
17	GU27658415	Cable-guide	2	
18	GU27658215	Ring	2	
19	GU98620335	Screw M6X35	1	
20	GU91180802	Spacer	1	
21	GU98620440	Screw M8X40	1	
22	GU95100256	Washer	3	
23	GU31658330	Fairlead	1	
24	GU31502335	Plate	1	
25	GU28500745	Stud bolt	4	
26	GU28462645	Spacer	4	
27	GU98230822	Top screw	4	

Assembly	FRAME
Code	33.24
Description	Front/rear shock absorber
Revision	1



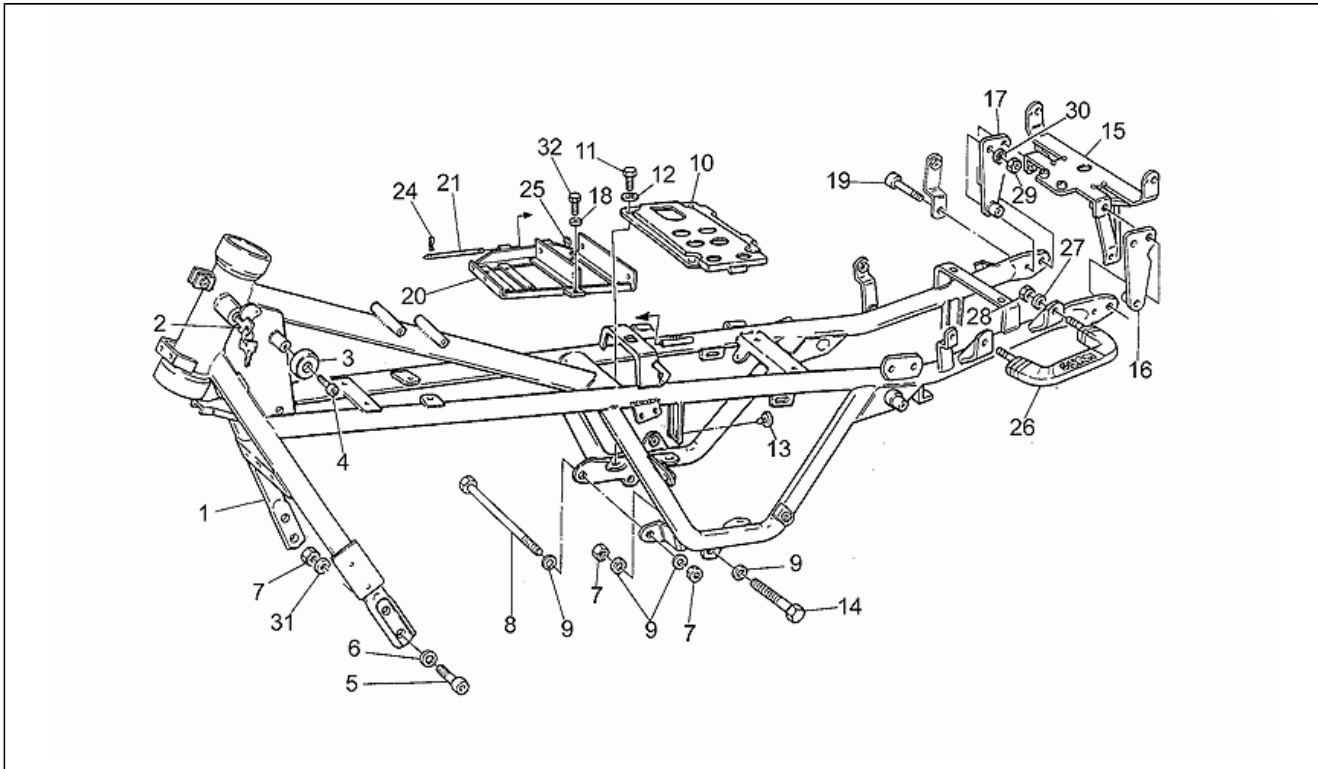
Pos.	Code	Description	Q.ty	Variants
28	GU14615901	Washer 8,4X13X0,8	4	

Assembly	FRAME
Code	33.25
Description	Frame
Revision	1



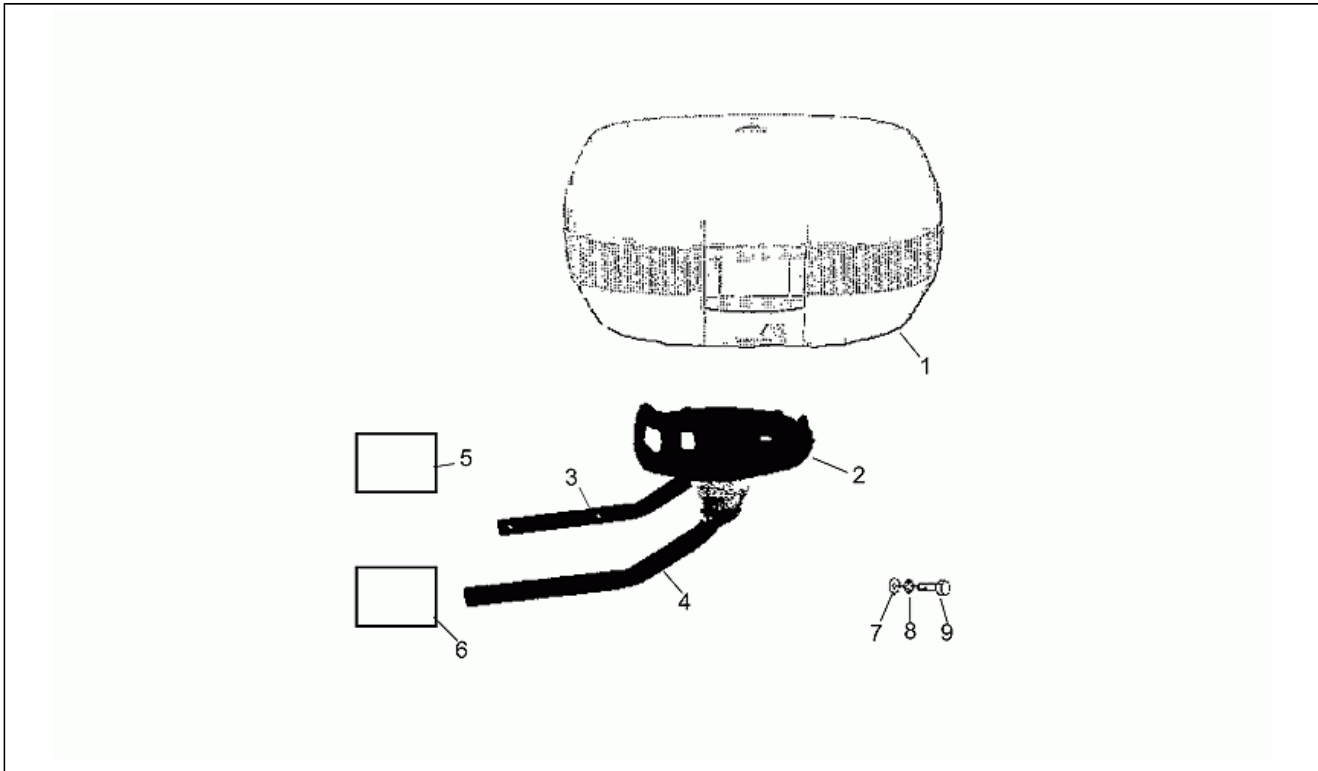
Pos.	Code	Description	Q.ty	Variants
1	GU31400136	Frame	1	Technical Specifications: Until frame <LX16499[T1]
1	GU31400137	Frame	1	Technical Specifications: See spare parts comm.n.038 of 2000[03800N], From frame LX16500[T2]
2	GU19782520	Lock	1	
3	GU66103415	Rubber spacer	2	
4	GU98622420	Screw	2	
5	GU98612525	Screw	2	
6	GU95120105	Washer	4	
7	GU92602210	Nut	7	
8	GU98110202	Screw	1	
9	GU95007210	Washer	6	
10	GU27418215	Plate	1	
11	GU98054416	Hex screw M8X16	4	
12	GU95000208	Washer	4	
13	GU19705900	Drift	2	
14	GU98072555	Hex screw M10X55	2	
15	GU31463635	Plate	1	
16	GU31439335	Plate	1	
17	GU31439235	Plate	1	
18	GU95004204	Washer	1	
19	GU98812420	Screw	3	
20	GU31477435	Support plate	1	
21	GU31479430	Pin	1	
24	GU95401218	Split pin	1	
25	GU90280005	Safety washer	1	
26	GU31464330	Battery handle	1	
27	GU95000208	Washer	2	
28	GU92630108	Nut	2	

Assembly	FRAME
Code	33.25
Description	Frame
Revision	1



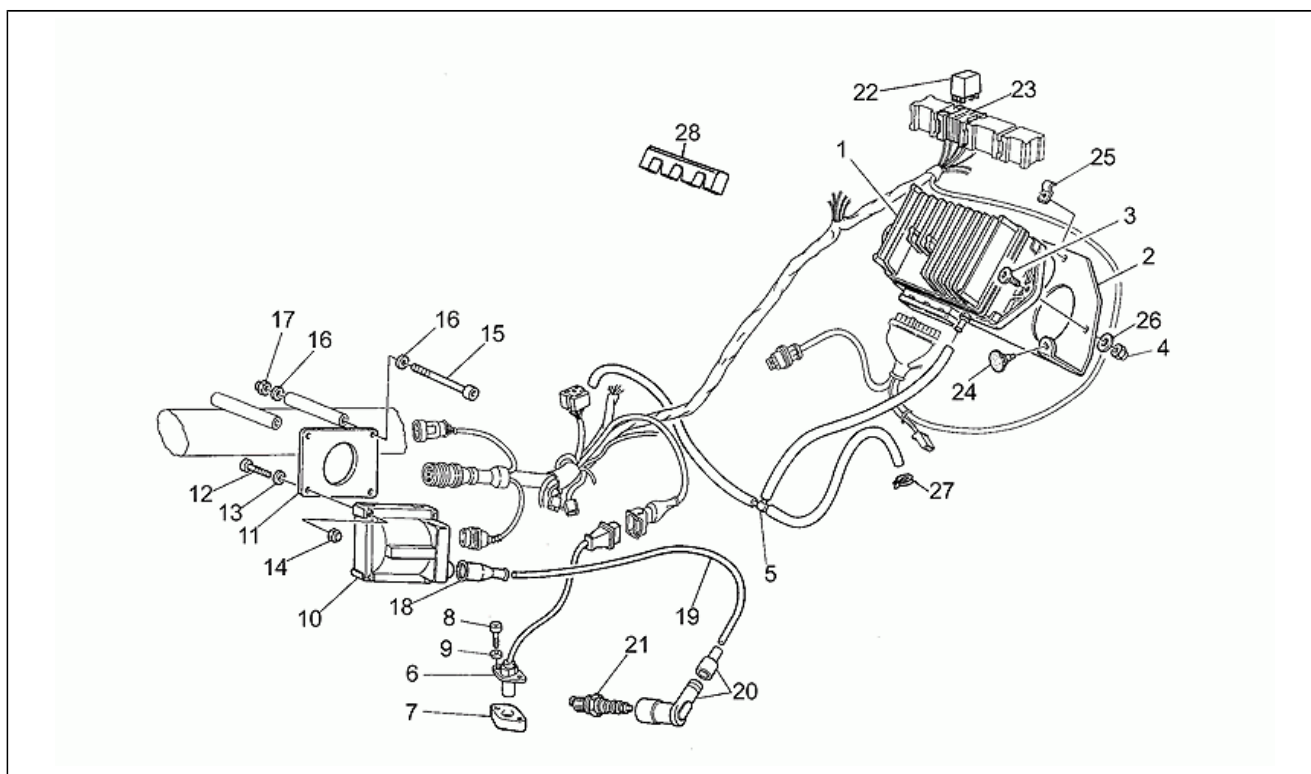
Pos.	Code	Description	Q.ty	Variants
29	GU92630508	Nut	2	
30	GU95004208	Washer	2	
31	GU95021110	Notched washer	4	
32	GU98054116	Screw	1	

Assembly	FRAME
Code	33.26
Description	Rome Police top box
Revision	1



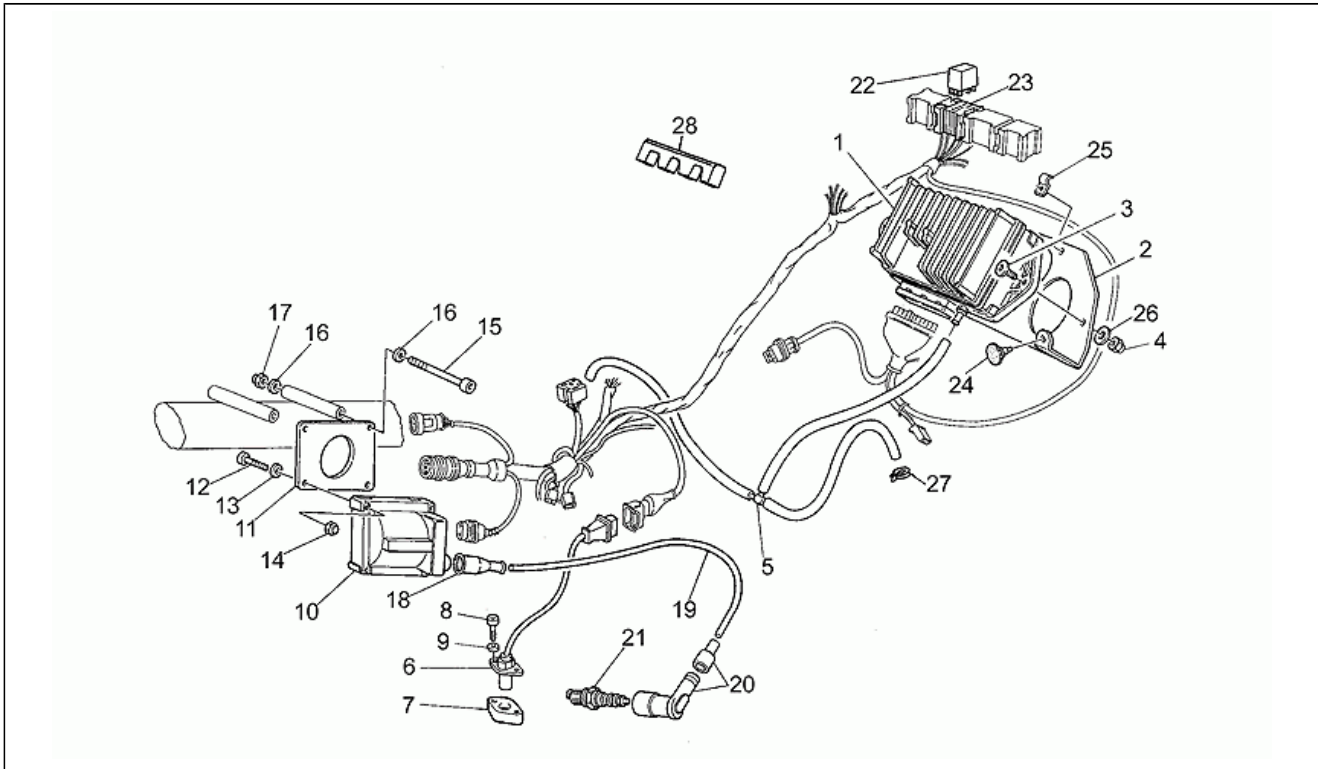
Pos.	Code	Description	Q.ty	Variants
1	GU31487637	Top box	1	Color:Municipal Police Roma[PR]
2	GU29487762	Support plate	1	Color:Municipal Police Roma[PR]
3	GU31487836	RH support GIVI	1	Color:Municipal Police Roma[PR]
4	GU31487837	LH support GIVI	1	Color:Municipal Police Roma[PR]
5	GU31487037	RH plate GIVI	1	Color:Municipal Police Roma[PR]
6	GU31487137	LH plate GIVI	1	Color:Municipal Police Roma[PR]
7	GU31488437	Spacer	4	Color:Municipal Police Roma[PR]
8	GU14615901	Washer 8,4X13X0,8	4	Color:Municipal Police Roma[PR]
9	GU98230830	Screw	4	Color:Municipal Police Roma[PR]

Assembly	FRAME
Code	33.27
Description	Digiplex electrical system
Revision	1



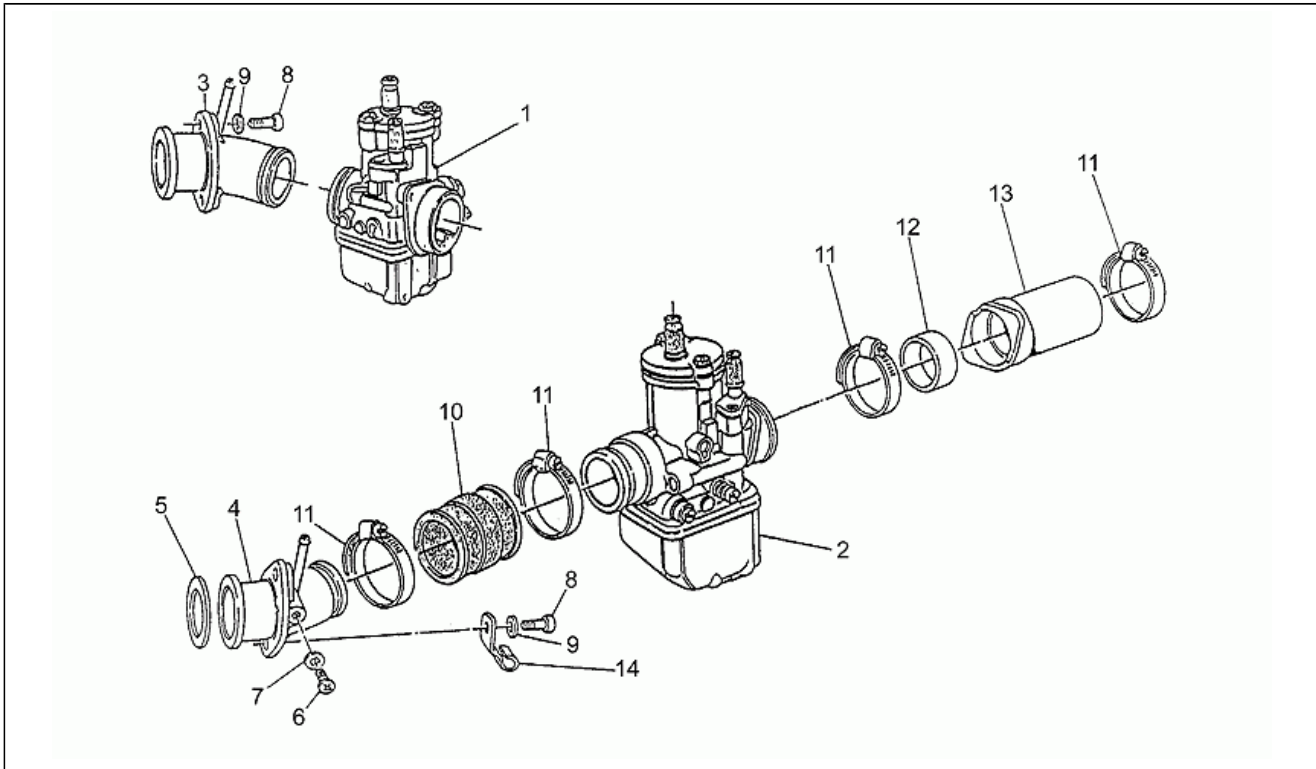
Pos.	Code	Description	Q.ty	Variants
1	GU31721465	ECU MED 501A	1	
2	GU31723835	Support	1	
3	GU98230622	Screw	2	
4	GU92630206	Nut M6x1	2	
5	GU20108120	Pipe switch.box tosuction lugs	1	
6	GU20721610	Phase/revolution sensor	1	
7	GU31722065	Flange	1	
8	GU98620222	Screw	2	
9	GU95004205	Washer	2	
10	GU30716500	HT coil	2	
11	GU20716720	Coil holder	2	
12	GU98610125	Screw	4	
13	GU95004204	Washer	4	
14	GU92630104	Nut M4x0,7	4	
15	GU98620360	Screw	2	
16	GU95004206	Washer 6,15x11x0,8	4	
17	GU92630106	Nut M6x1	2	
18	GU14717600	Cap	2	
19	GU17718350	HT cable	2	
20	GU30717410	Sparkplug cap NGK	2	
21	GU31717061	Spark plug NGK BR8ES	2	Technical Specifications: See spare parts comm.n.038 of 2000[03800N]
22	GU30732560	Relay Siemens A302/B1008	1	
23	GU30732400	Relais support	1	
24	GU19705900	Drift	2	
25	GU93301175	U-bolt	2	
26	GU95000206	Washer	2	
27	GU61108500	Hose clamp D9	3	

Assembly	FRAME
Code	33.27
Description	Digiplex electrical system
Revision	1



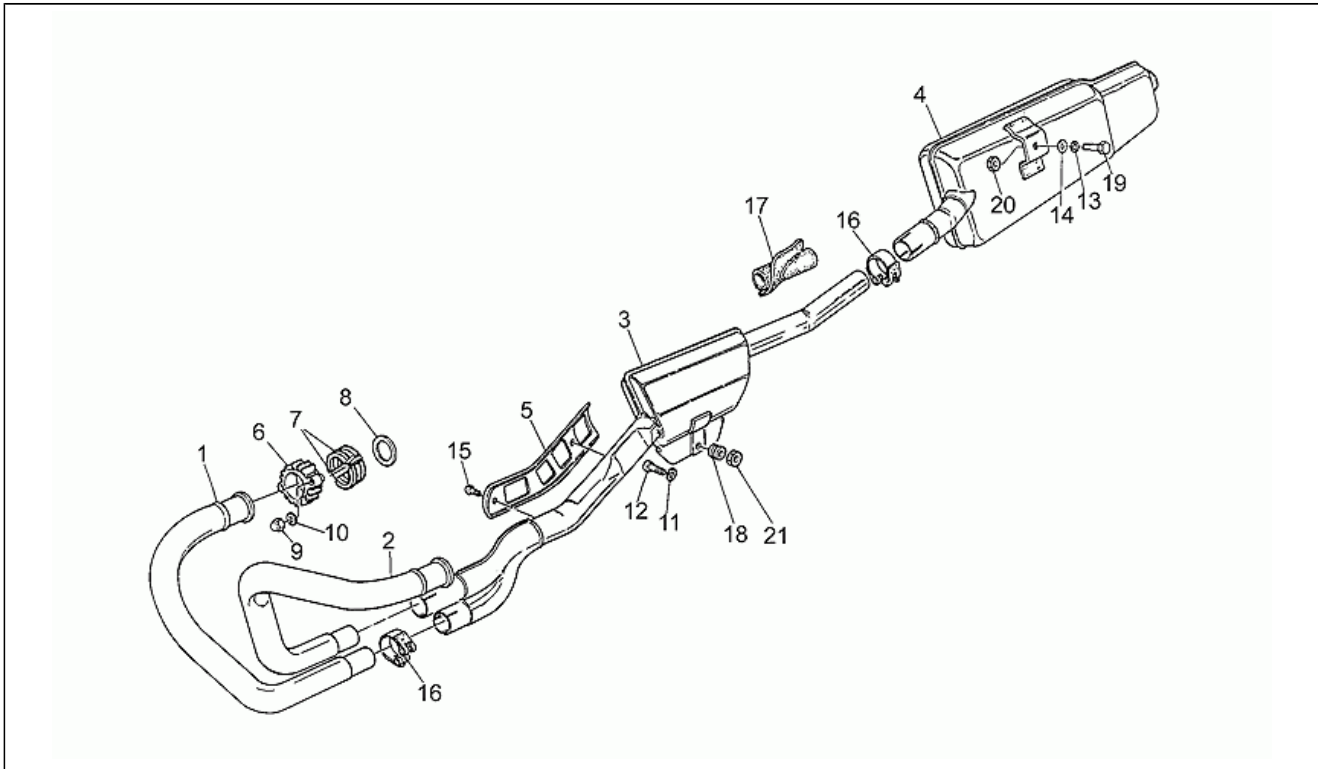
Pos.	Code	Description	Q.ty	Variants
28	GU19025300	Anti-vibration plate	1	

Assembly	FRAME
Code	33.29
Description	Fuel supply
Revision	1



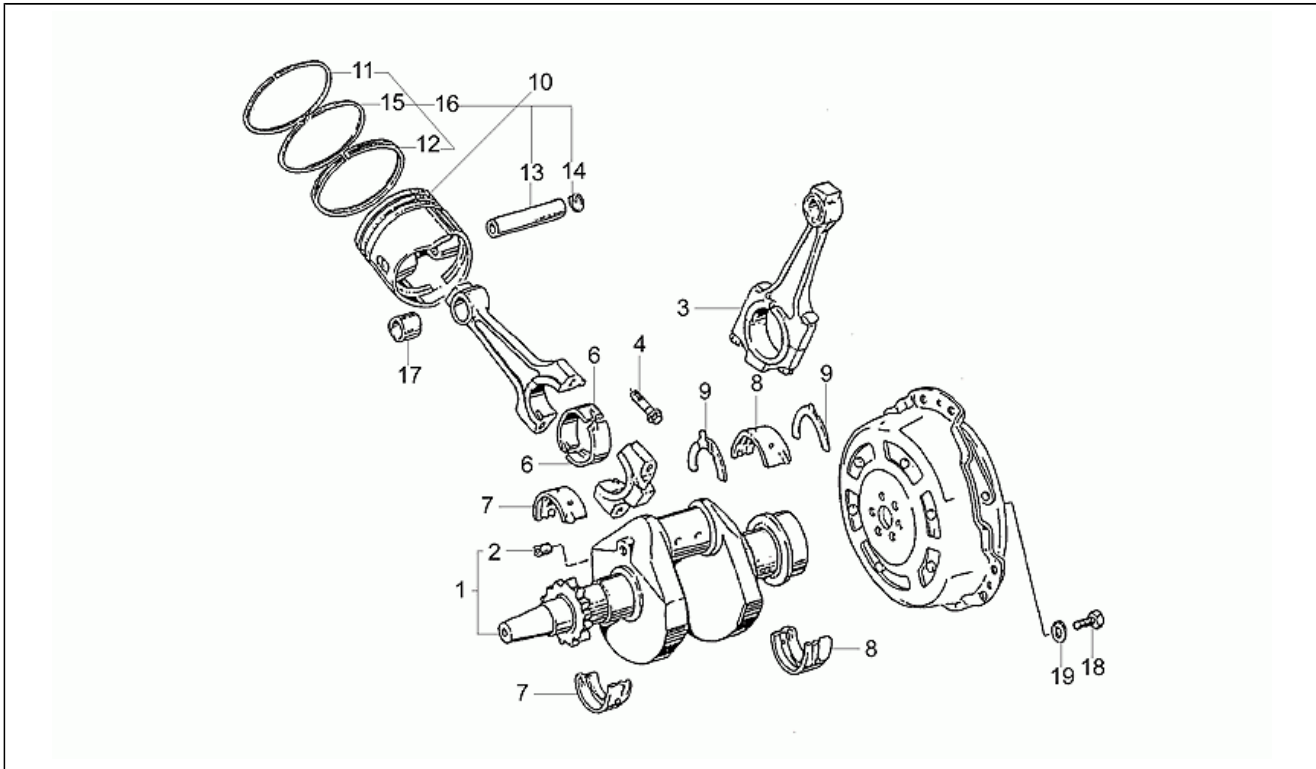
Pos.	Code	Description	Q.ty	Variants
1	GU23112674	Carburettor RH PHBH 30BD	1	Technical Specifications: Until frame <LX16499[T1]
1	GU31112630	Carburettor RH PHBH 30 BD	1	Technical Specifications: See spare parts comm.n.038 of 2000[03800N], From frame LX16500[T2]
2	GU23112675	Carburettor LH PHBH 30BS	1	Technical Specifications: Until frame <LX16499[T1]
2	GU31112631	Carburettor LH PHBH 30 BS	1	Technical Specifications: See spare parts comm.n.038 of 2000[03800N], From frame LX16500[T2]
3	GU31115037	RH intake manifold	1	
4	GU31115038	LH intake manifold	1	
5	GU19115580	Gasket	2	
6	GU98310611	Special screw M6X10	2	
7	GU95100116	Washer 6,25x10x1,5	2	
8	GU98612325	Screw M6x25	4	
9	GU61013800	Special washer	4	
10	GU19114360	Hose	2	
11	GU93305032	Hose clamp 32X52X8	8	
12	GU19114680	Gasket ring	2	
13	GU19114460	Air intake hose	2	
14	GU19718000	Hose clamp	2	

Assembly	FRAME
Code	33.37
Description	Exhaust unit
Revision	1



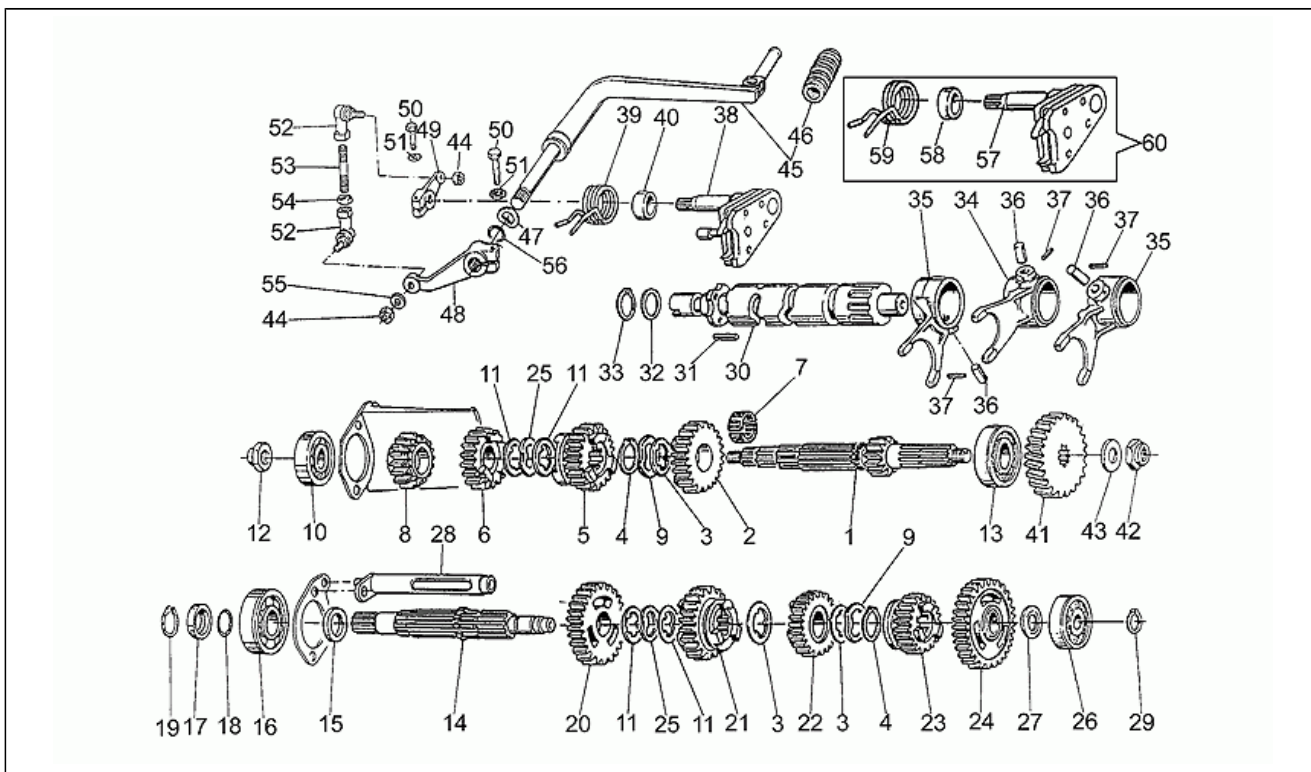
Pos.	Code	Description	Q.ty	Variants
1	GU31120730	RH exhaust pipe	1	
2	GU31120731	LH exhaust pipe	1	
3	GU27123915	Expansion chamber	1	
4	GU27122915	Silencer	1	
5	GU27121915	Exhaust pipes cover	1	
6	GU61025100	Ring nut	2	
7	GU19025460	Spacer	4	
8	GU19025280	Gasket	2	
9	GU92781082	Cap nut	4	
10	GU61013800	Special washer	4	
11	GU95100256	Washer	1	
12	GU98074420	Screw	1	
13	GU95000206	Washer	1	
14	GU95021106	Notched washer	1	
15	GU98290608	Screw	2	
16	GU27123415	Hose clamp	3	
17	GU27126615	Rubber spacer	1	
18	GU27128115	Rubber spacer	1	
19	GU98074316	Screw	1	
20	GU92601206	Nut	1	
21	GU92630108	Nut	1	

Assembly	ENGINE
Code	34.28
Description	Drive shaft
Revision	1



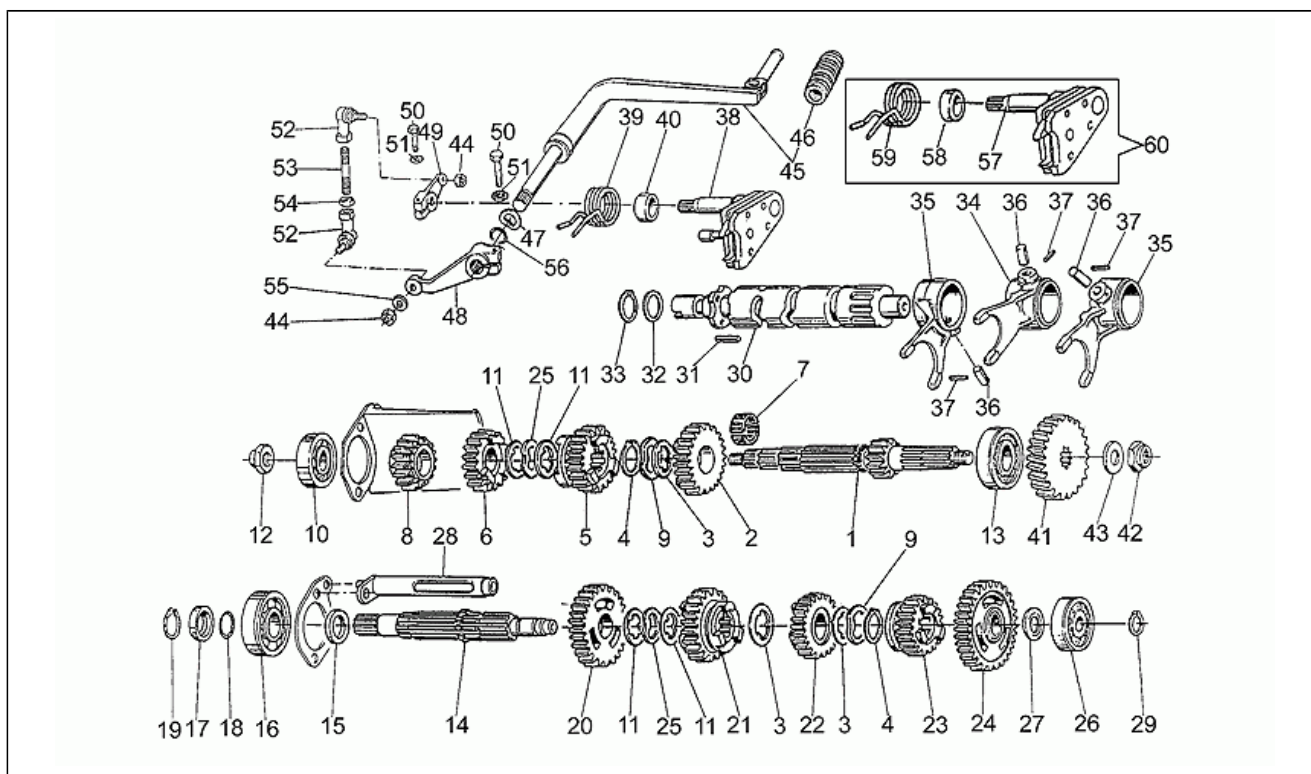
Pos.	Code	Description	Q.ty	Variants
1	GU27064185	Crankshaft cpl.	1	Technical Specifications: For generator/regolator BOSCH[B]
1	GU31064165	Crankshaft cpl.	1	Technical Specifications: For generator/regolator DUCATI[D]
2	GU19065400	Plug	1	
3	GU27061585	Connecting rod cpl.	2	
4	GU19062261	Screw	4	
6	GU27062060	Bearing half-shell	4	
7	GU27065660	Front main half-bearing	2	
8	GU27066560	Rear main half-bearing	2	
9	GU27066460	Half-clamp	2	
10	GU20060220	Piston assy	2	Technical Specifications: See spare parts comm.n.008 of 2000[00800N]
11	GU19060763	Slot piston ring	2	
12	GU19061063	Scraper ring	2	
13	GU27061285	Piston pin	2	
14	GU27061385	Stop ring	4	
15	GU27060860	Slot piston ring	2	
16	GU31060616	Pistonring set	2	
17	GU27061885	Bush	2	
18	GU19067700	Screw	6	
19	GU14615901	Washer 8,4X13X0,8	6	

Assembly	ENGINE
Code	34.30
Description	Gear box
Revision	1



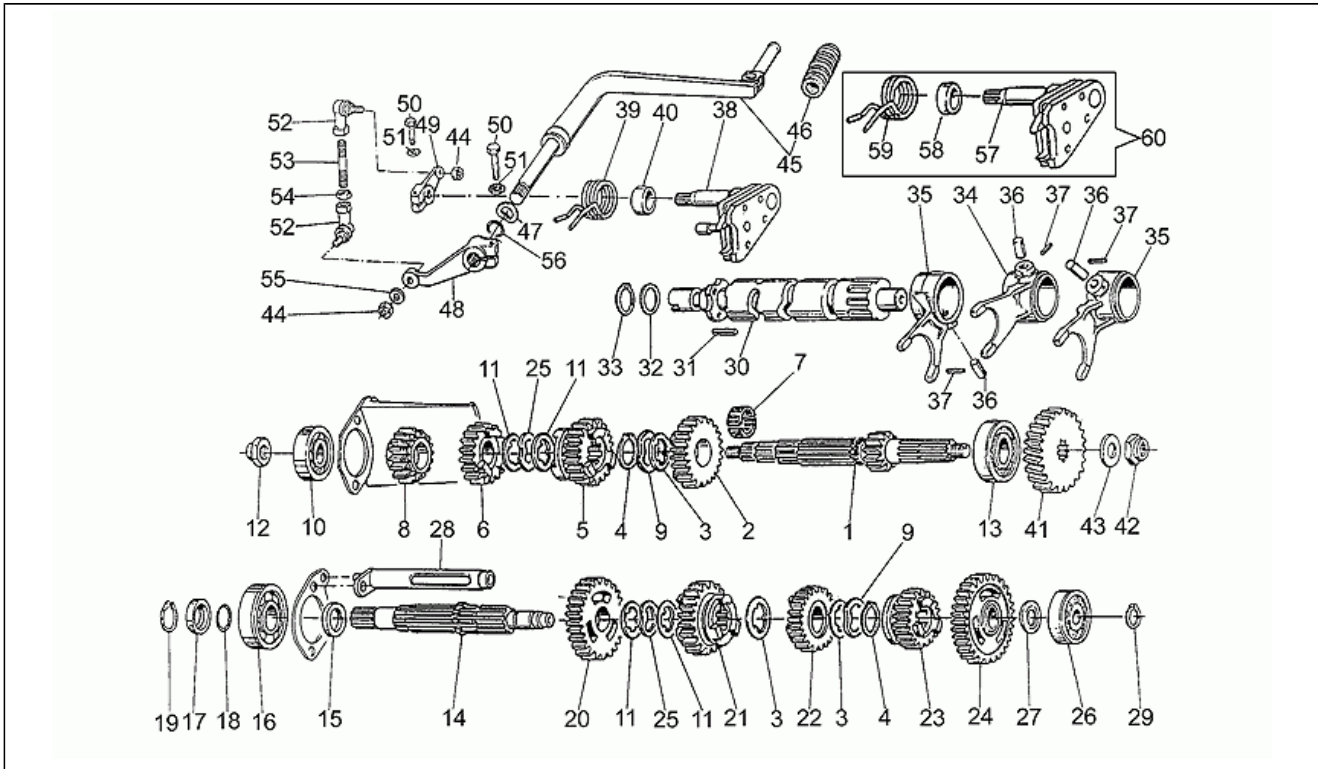
Pos.	Code	Description	Q.ty	Variants
1	GU23210570	Primary gear shaft Z=11	1	
2	GU23212070	Gear 5a AP Z=20	1	
3	GU19215460	Thrust washer	3	
4	GU90271127	Circlip	2	
5	GU19211861	Gear 4a AP Z=18	1	
6	GU19211460	Gear 3a AP Z=18	1	
7	GU92251023	Roller cage	1	
8	GU19211361	Gear 2a AP Z=14	1	Technical Specifications:Until gear >GP16327[C1]
8	GU23211372	Gear 2a AP Z=14	1	Technical Specifications:From gear GP16328[C2]
9	GU19218062	Washer	2	
10	GU92218417	Bearing AP 17x40x17,5	1	
11	GU19214660	Clearance washer	4	
12	GU10054100	Nut	1	
13	GU92230320	Bearing AP 20x37x17	1	
14	GU19213661	Driven shaft	1	
15	GU19212900	Spacer	1	
16	GU92201220	Bearing 20X47X14	1	
17	GU19213720	Spacer	1	
18	GU90706188	Gasket ring 18,77X1,78	1	
19	GU90271121	Circlip	1	
20	GU23214571	Gear 2a AS Z=23	1	Technical Specifications:Until gear >GP16327[C1]
20	GU23214572	Gear 2a AS Z=23	1	Technical Specifications:From gear GP16328[C2]
21	GU19214860	Gear 3a AS Z=23	1	
22	GU19215161	Gear 4a AS Z=19	1	
23	GU23215270	Gear 5a AS Z=18	1	
24	GU23214071	Gear 1a AS Z=26	1	
25	GU19218061	Washer	2	
26	GU92234716	Bearing	1	

Assembly	ENGINE
Code	34.30
Description	Gear box
Revision	1



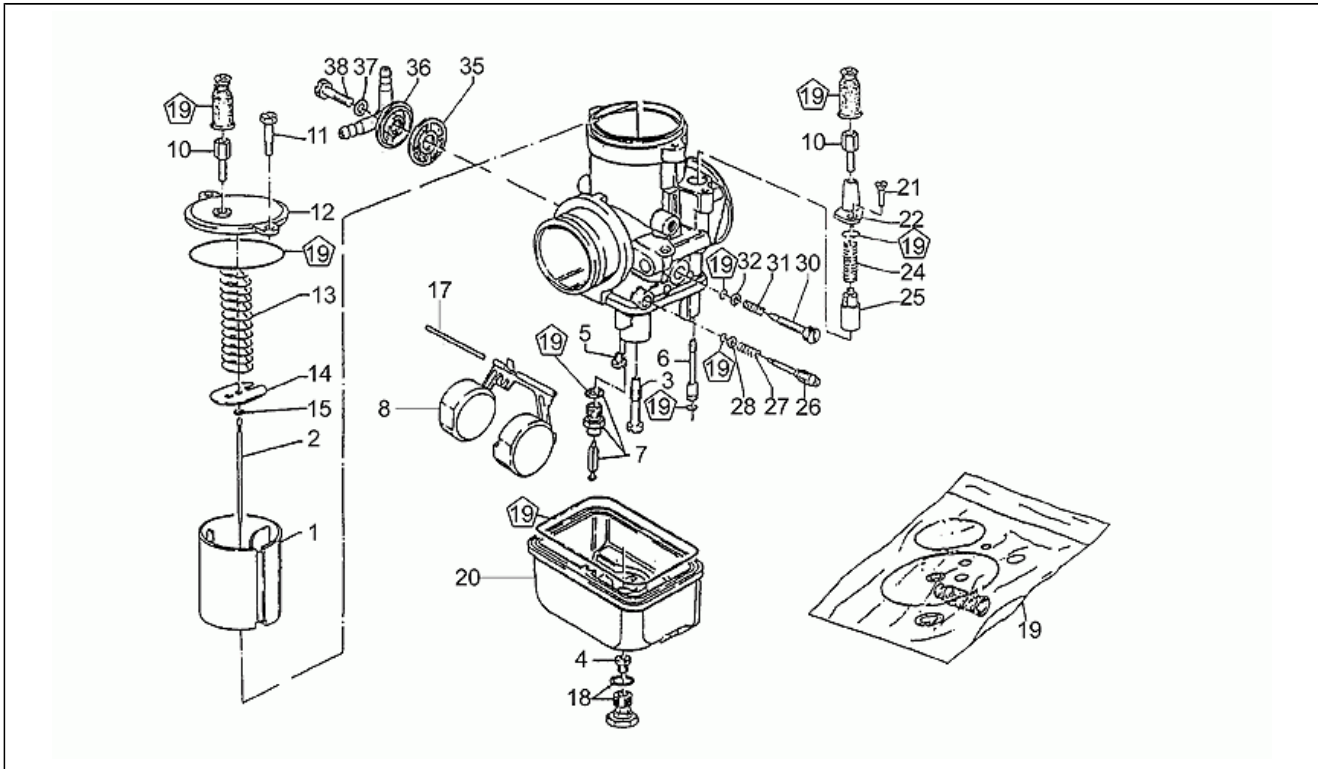
Pos.	Code	Description	Q.ty	Variants
27	GU10214301	Spacer 1,7 mm	1	
27	GU10214302	Spacer 1,8 mm	1	
27	GU10214303	Spacer 1,9 mm	1	
27	GU10214304	Washer 2 mm	1	
27	GU10214305	Spacer 2,1 mm	1	
28	GU23202074	Gutter	1	
29	GU90271117	Circlip	1	
30	GU19234420	Shift cam	1	
31	GU19234600	Pin	4	
32	GU19355300	Spacer 1 mm	1	
33	GU90271020	Snap ring	1	
34	GU19231220	Fork AP	1	
35	GU19231020	Fork AS	2	
36	GU92297909	Roller	3	
37	GU95520316	Pin	3	
38	GU20999520	Pre-selector kit	1	Technical Specifications: See spare parts comm.n.013 of 1997[01397N]
39	GU61238200	Spring	1	
40	GU91182010	Bush	1	
41	GU19211160	Gear Z=22	1	
42	GU10054100	Nut	1	
43	GU39238100	Clearance washer	1	
44	GU92630106	Nut M6x1	2	
45	GU27250815	Gear lever	1	
46	GU27251015	Rubber spacer	1	
47	GU95129260	Spring washer	1	
48	GU19256920	Lever	1	
49	GU19258220	Shift lever	1	

Assembly	ENGINE
Code	34.30
Description	Gear box
Revision	1



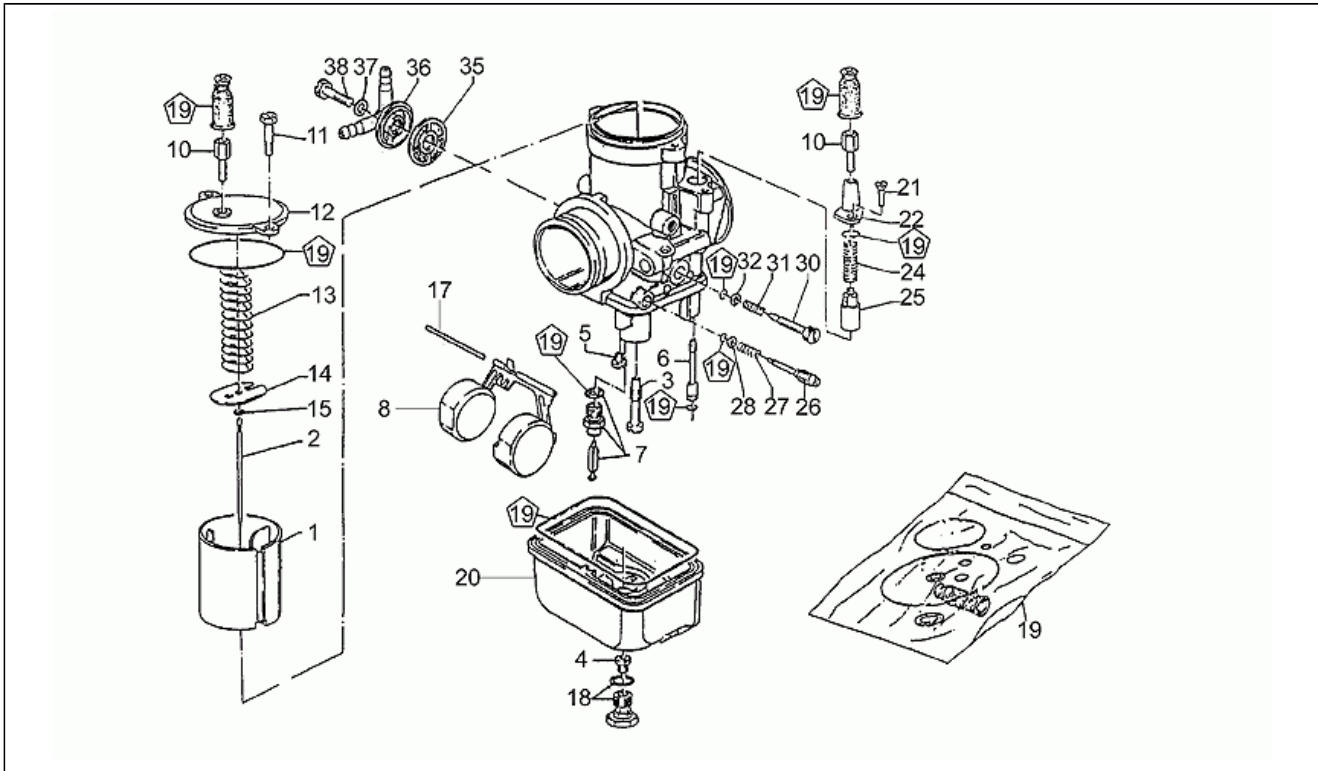
Pos.	Code	Description	Q.ty	Variants
50	GU98052325	Screw	2	
51	GU95021106	Notched washer	2	
52	GU28258160	Fork	2	
53	GU27257715	Stud bolt	1	
54	GU92602206	Nut	2	
55	GU95000206	Washer	1	
56	GU90706141	O-ring	2	
57	GU20236220	Preselection complete	1	Technical Specifications: See spare parts comm.n.013 of 1997[01397N]
58	GU20208520	Spacer	1	Technical Specifications: See spare parts comm.n.013 of 1997[01397N]
59	GU28238261	Spring	1	Technical Specifications: See spare parts comm.n.013 of 1997[01397N]
60	GU20999520	Pre-selector kit	1	Technical Specifications: See spare parts comm.n.013 of 1997[01397N]

Assembly	ENGINE
Code	34.31
Description	Carburettor
Revision	1



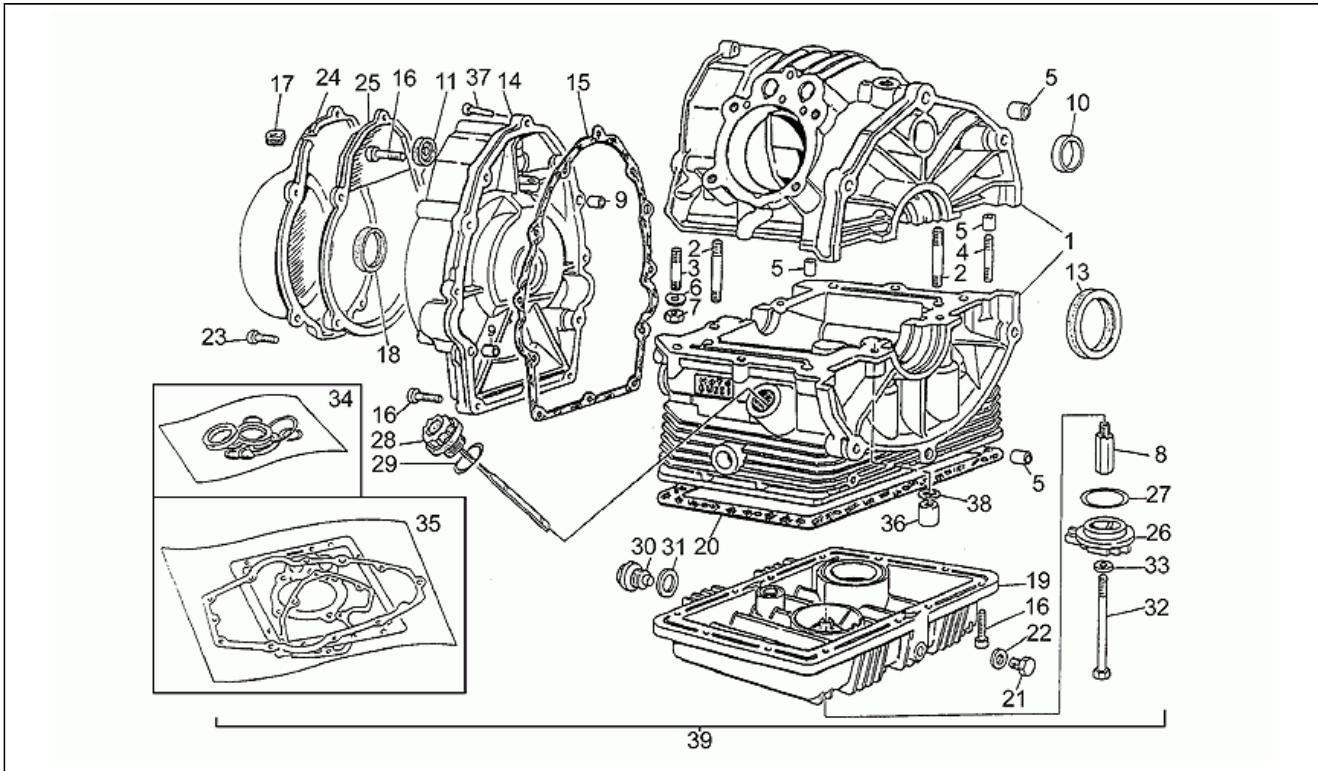
Pos.	Code	Description	Q.ty	Variants
1	GU23934870	Gas valve 45	2	
2	GU19934960	Conical pin 8	2	
3	GU19935580	Needle valve 268T	2	
4	GU19935750	Main jet 105	2	
5	GU27935960	Idle jet 38	2	
6	GU19936000	Starter jet 60	2	
7	GU19934600	Needle valve	2	
8	GU27934315	Float gr.9,5	2	
10	GU12937200	Wire tensioner screw	4	
11	GU14934650	Screw	2	
12	GU19935080	Cover	2	
13	GU19937180	Gas valve return spring	2	
14	GU19938580	Plate	2	
15	GU65933600	Conical pin clip	2	
17	GU13933100	Float pin	2	
18	GU27933720	Float chamber fix.plug	2	
19	GU19939980	Gaskets set	1	
20	GU19934480	Aluminium float chamber	2	
20	GU31934460	Float chamber plastica	2	Technical Specifications: See spare parts comm.n.033 of 1999[03399N]
21	GU13937900	Screw	2	
22	GU17937450	Starter device cover	2	
24	GU39937600	Valve spring	2	
25	GU13937800	Starter valve	2	
26	GU13936200	Adj.min.eng.speed screw	2	
27	GU13936300	Spring	2	
28	GU65933700	Flat washer	2	
30	GU13936600	Gas valve adjuster screw	2	

Assembly	ENGINE
Code	34.31
Description	Carburettor
Revision	1



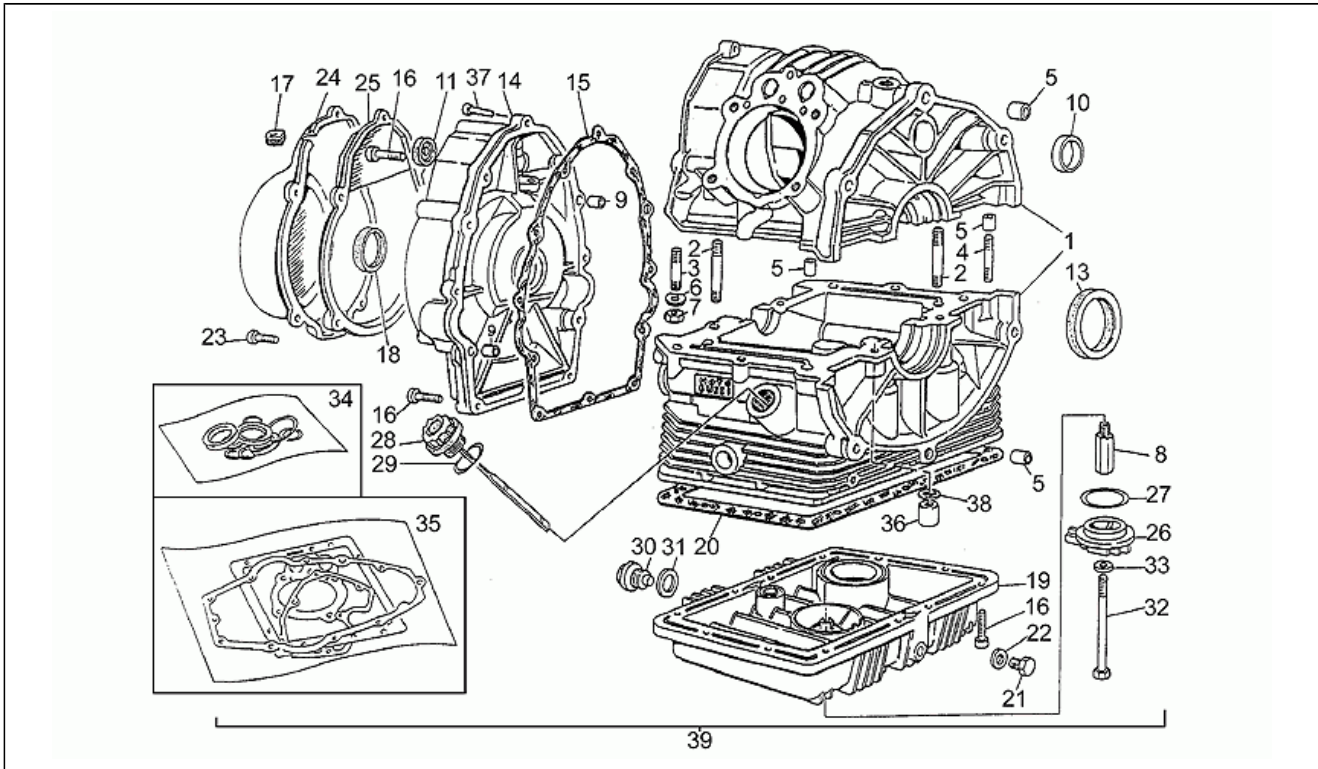
Pos.	Code	Description	Q.ty	Variants
31	GU13936700	Spring	2	
32	GU14931650	Flat washer	2	
35	GU43934000	Fuel filter	2	
36	GU13934600	Fuel pipe union cap	2	
37	GU13934700	Gasket	2	
38	GU10934900	Cap fixing screw	2	

Assembly	ENGINE
Code	34.32
Description	Crankcase
Revision	1



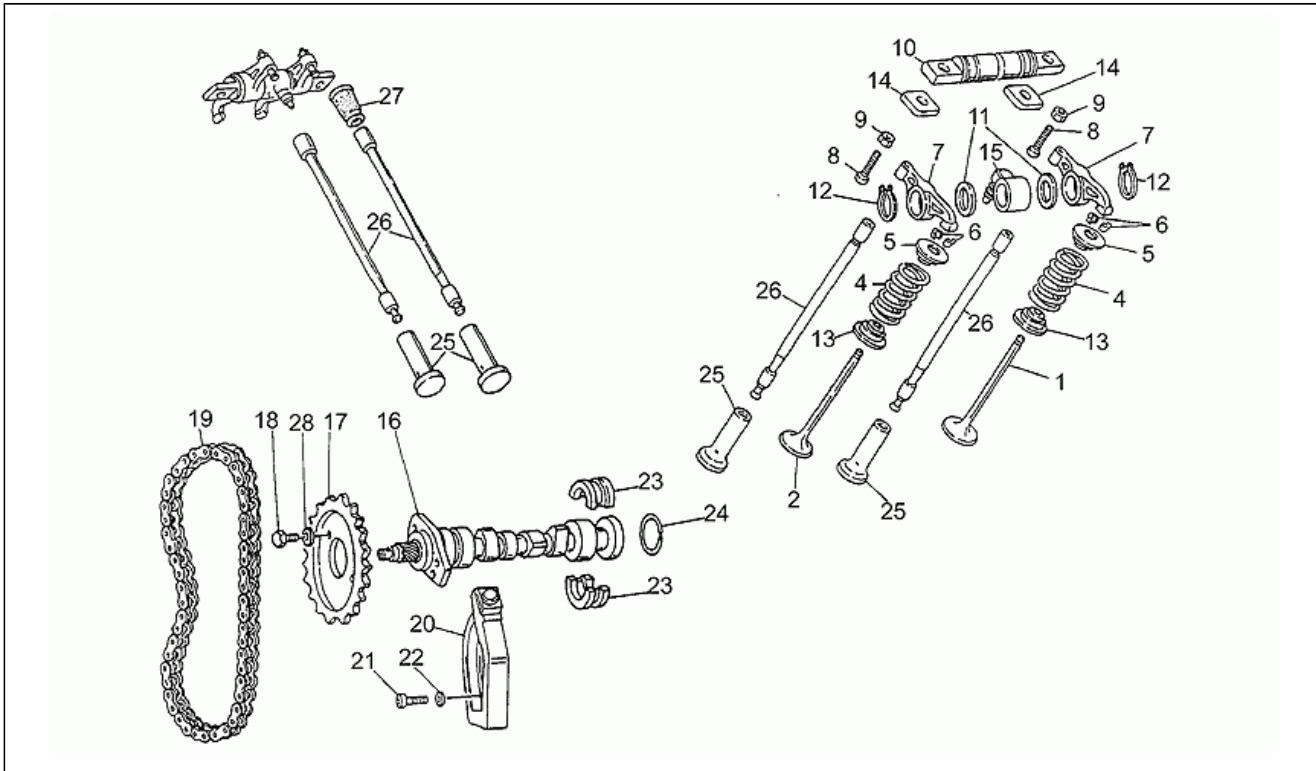
Pos.	Code	Description	Q.ty	Variants
1	GU3100331	Crankcase	1	
2	GU96451560	Stud bolt	4	
3	GU96451430	Stud bolt	4	
4	GU96508055	Stud bolt	2	
5	GU19015020	Bush	4	
6	GU61270300	Spring washer 8x15x0,3	6	
7	GU92602208	Nut M8X1,25	6	
8	GU19003800	Union	1	
9	GU19002020	Bush 6,6x9x13	2	
10	GU19016320	Plug	1	
11	GU90401530	Gasket ring	1	
13	GU90405367	Gasket ring	1	
14	GU31001431	Timing system cover	1	
15	GU19001200	Gasket	1	
16	GU98610325	Screw	22	
17	GU19007700	Rubber spacer	1	
18	GU90402840	Gasket ring 28x38x7	1	
19	GU31003531	Motor oil cup	1	
20	GU19003602	Gasket	1	
21	GU31003766	Oil unload plug M10X1	1	
22	GU10528900	Gasket	1	
23	GU98610335	Hex socket screw M6x18	4	
24	GU27001636	Cover	1	
25	GU27001136	Flange	1	
26	GU31003431	Plug	1	
27	GU90706444	O-ring	1	
28	GU27004985	Oil load plug	1	
29	GU90706282	Gasket ring	1	

Assembly	ENGINE
Code	34.32
Description	Crankcase
Revision	1



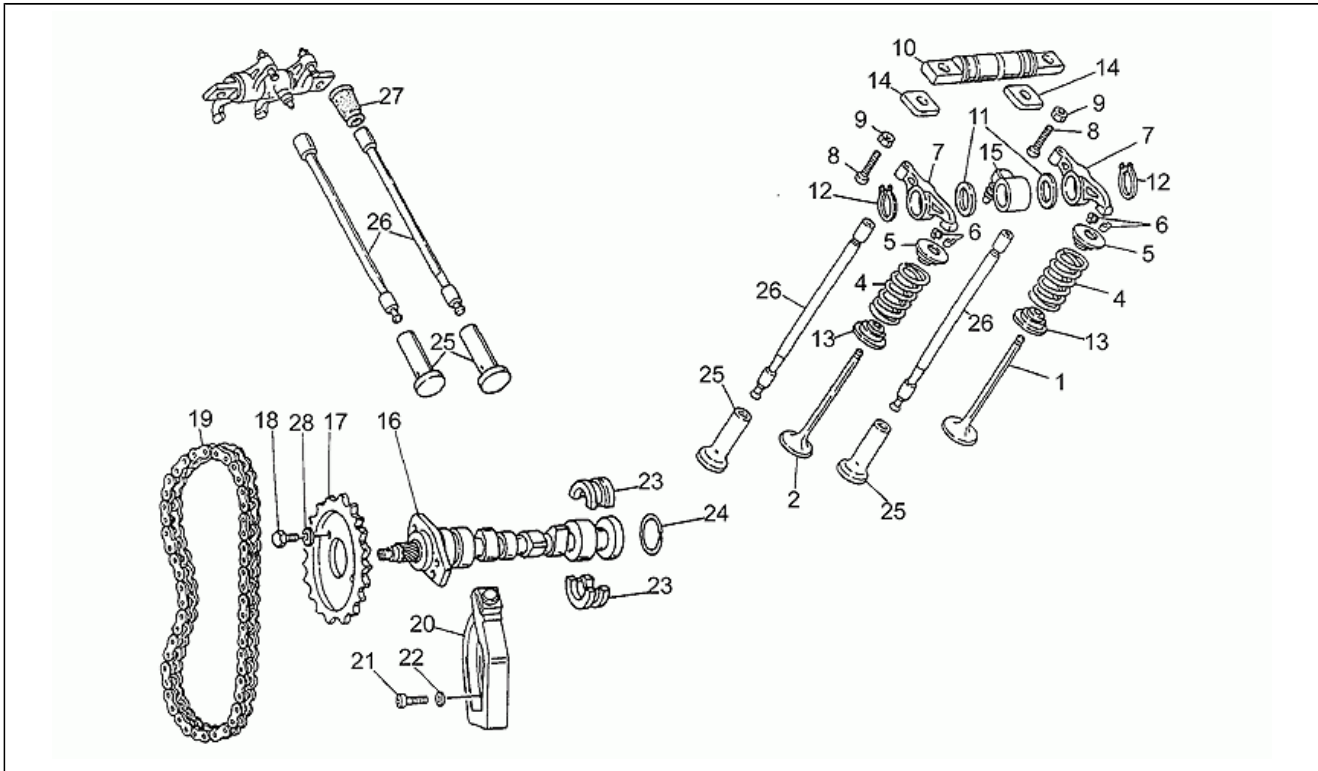
Pos.	Code	Description	Q.ty	Variants
30	GU28004950	Oil filler plug	1	
31	GU95100709	Gasket 20,1x28x2	1	
32	GU27152885	Bolt	1	
33	GU12154200	Gasket 8,25x15x1	1	
34	GU31999565	Oil seals - set	1	
35	GU27999060	Gasket set	1	
36	GU13021900	Column nut	4	
37	GU98610330	Screw M6x30	2	
38	GU95129180	Washer 10,5X18X0,8	4	
39	GU31991036	Engine w/o gearbox	1	Technical Specifications: For generator/regolator DUCATI[D]
39	GU31991037	Engine w/o gearbox	1	Technical Specifications: For generator/regolator BOSCH[B]

Assembly	ENGINE
Code	34.33
Description	Timing system
Revision	1



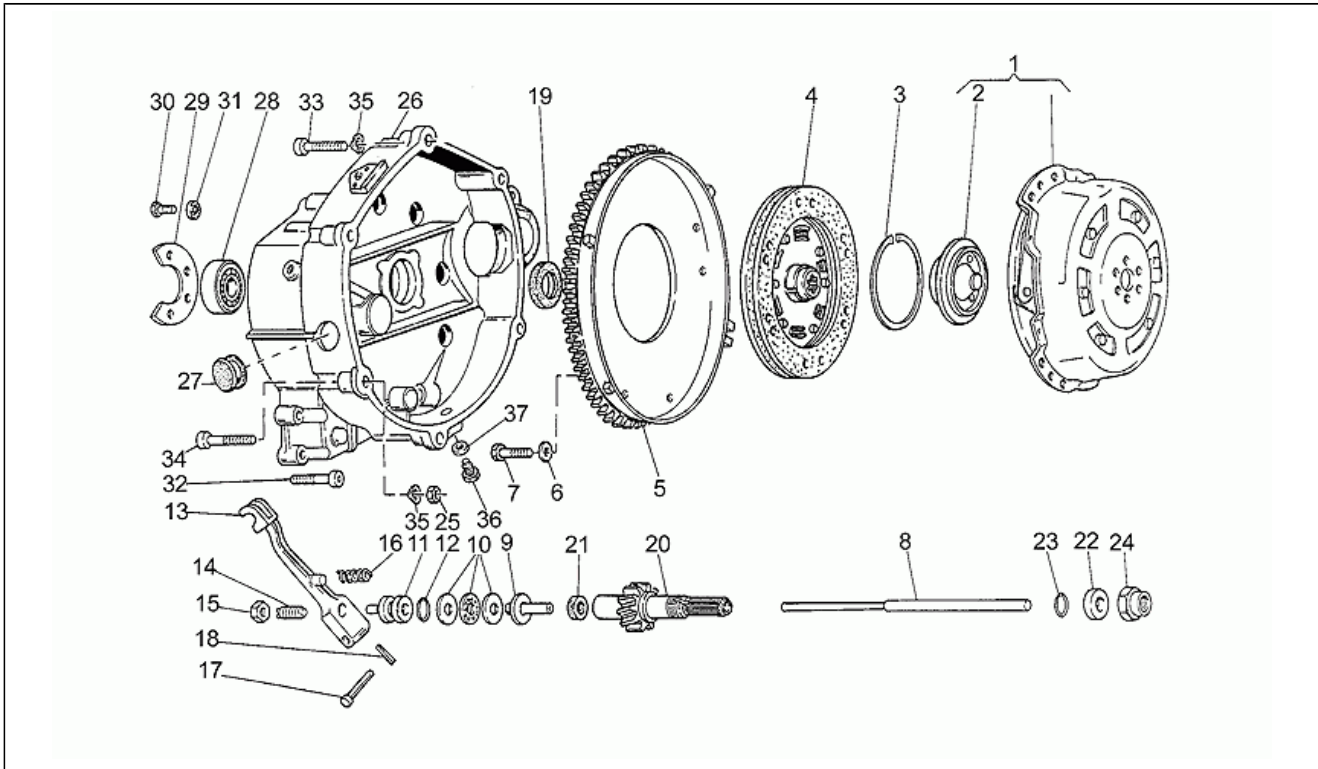
Pos.	Code	Description	Q.ty	Variants
1	GU19036082	Intake valve	2	
2	GU19036183	Exhaust valve	2	
4	GU27037521	Spring	4	
5	GU31038015	Upper cup	4	
6	GU61038100	Half-cone	8	
7	GU19030500	Rocker arm assy.	4	
8	GU19034000	Screw	4	
9	GU92602406	Nut M6x1	4	
10	GU19032080	Rocker shaft	2	
11	GU19032380	Thrust washer	4	
12	GU90271018	Circlip	4	
13	GU31037015	Lower cup	4	
14	GU19032980	Spacer	4	
15	GU19027500	Hose	2	
16	GU27053463	Camshaft	1	Technical Specifications: Until frame <LX16499[T1]
16	GU27053464	Camshaft	1	Technical Specifications: See spare parts comm.n.038 of 2000[03800N], From frame LX16500[T2]
17	GU19054521	Timing system gear	1	
18	GU61054900	Bolt	2	
19	GU19058021	Camshaft chain	1	
20	GU19058220	Chain stretching drive	1	
21	GU98822316	Screw	1	
22	GU95129115	Washer	1	
23	GU19055700	Sector	2	
24	GU90353029	Snap ring	1	
25	GU19045861	Tappet	4	
26	GU31045015	Rocker arm rod	4	
27	GU27045420	Cap	4	

Assembly	ENGINE
Code	34.33
Description	Timing system
Revision	1



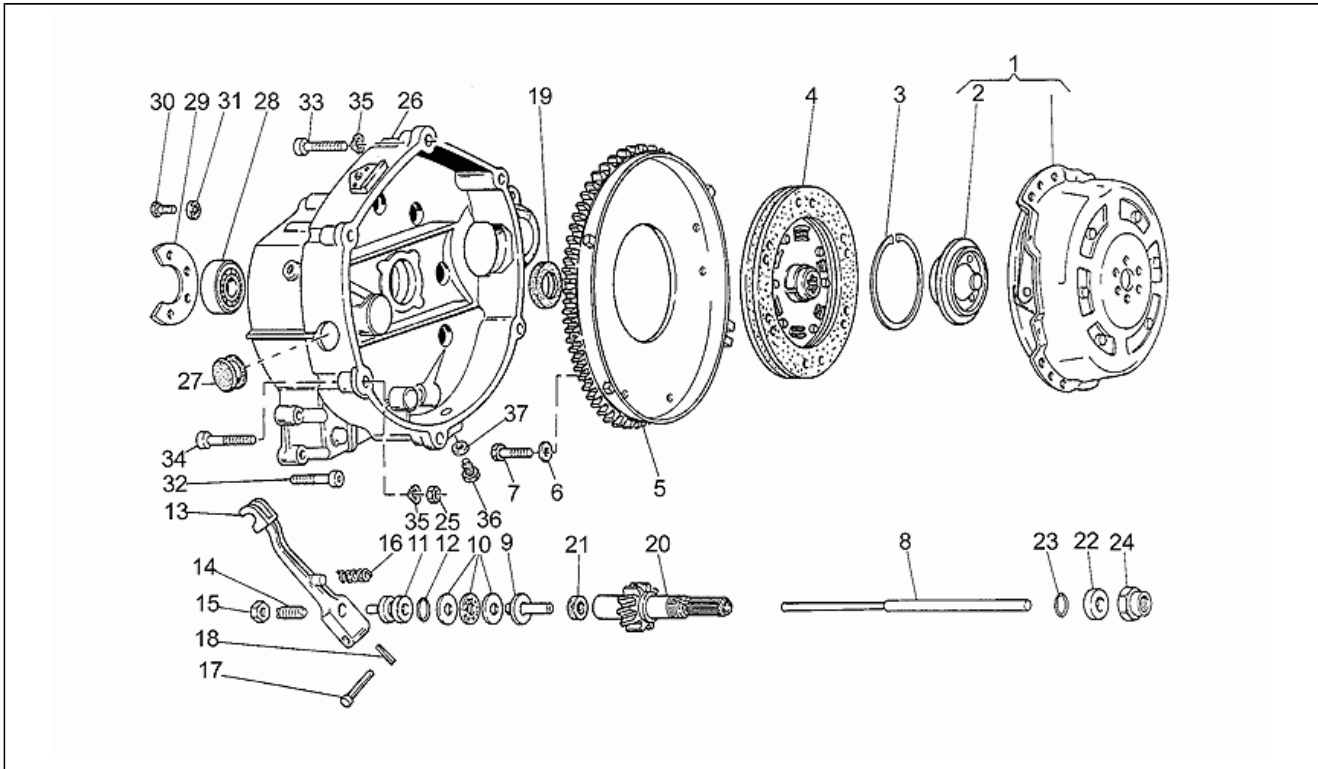
Pos.	Code	Description	Q.ty	Variants
28	GU23217800	Safety washer	2	

Assembly	ENGINE
Code	34.34
Description	Clutch
Revision	1



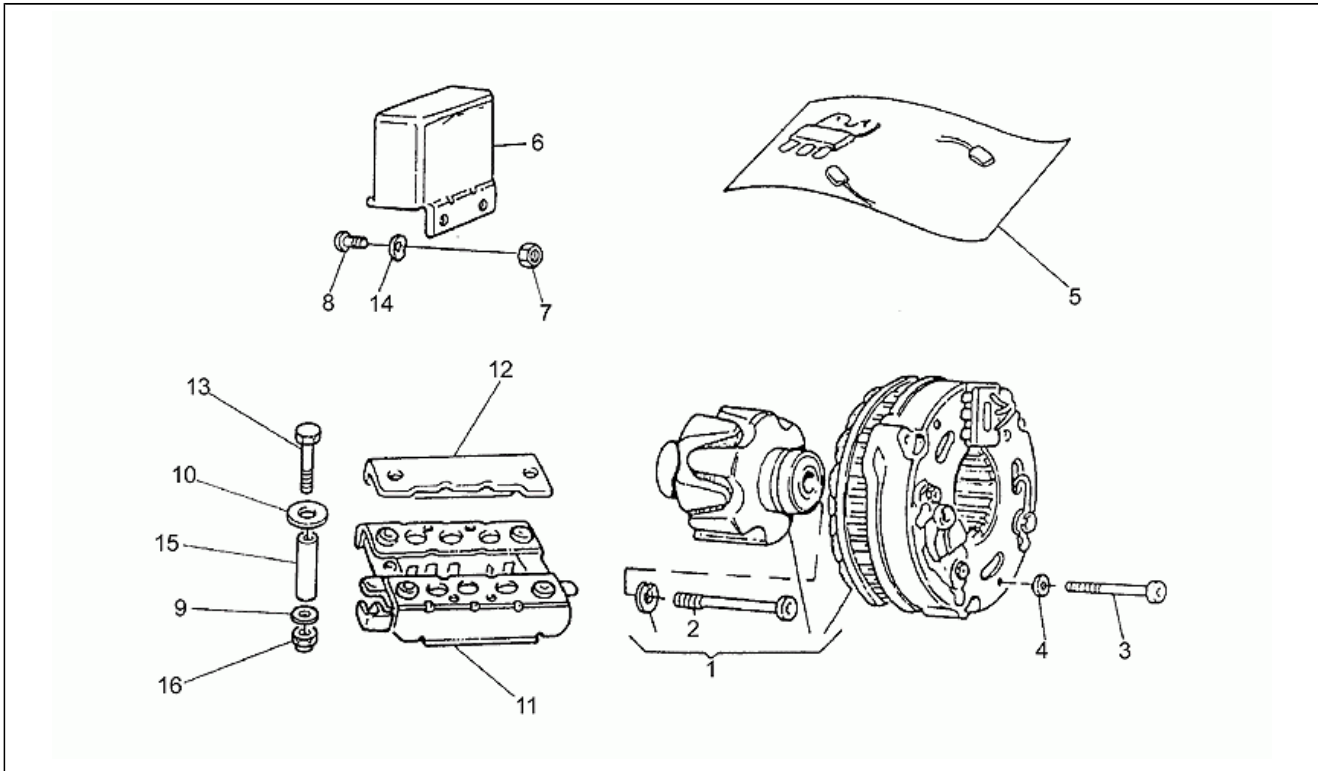
Pos.	Code	Description	Q.ty	Variants
1	GU27080160	Clutch AP	1	
2	GU19083462	New cup type	1	
3	GU90272075	Snap ring	1	
4	GU27084460	Driven clutch disc	1	
5	GU31067965	Chain ring Digiplex	1	
6	GU14217901	Washer 6,4x10x0,7	6	
7	GU98054316	Hex screw M6X16	6	
8	GU20085720	Rod	1	Technical Specifications: See spare parts comm.n.038 of 2000[03800N]
9	GU14086000	Inner body	1	
10	GU12087001	Thrust bearing	1	
11	GU14086100	Outer body	1	
12	GU90706170	O-ring 17,13x2,62	1	
13	GU14090201	Clutch release shaft	1	
14	GU14090400	Adjuster screw	1	
15	GU92602508	Nut M8X1	1	
16	GU94321105	Lever return spring	1	
17	GU95780271	Pin 7x39	1	
18	GU95500222	Split pin	1	
19	GU90403245	Gasket ring	1	
20	GU19210760	Transmission shaft Z=15	1	
21	GU90400616	Gasket ring 6x16x7	1	
22	GU19213760	Spacer	1	
23	GU90706235	O-ring 23,52x1,78	1	
24	GU19356760	Nut	1	
25	GU92602208	Nut M8X1,25	1	
26	GU31200431	Clutch drum	1	
27	GU93180220	Plug	1	

Assembly	ENGINE
Code	34.34
Description	Clutch
Revision	1



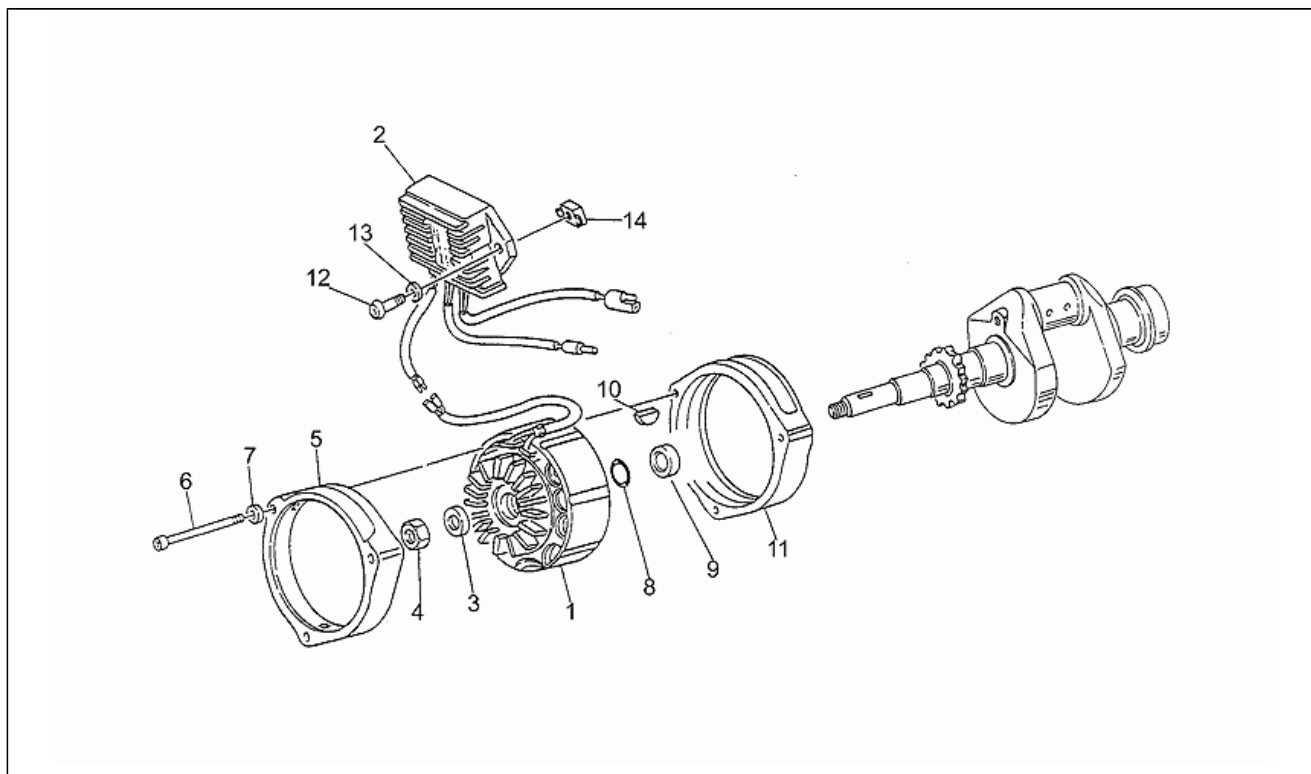
Pos.	Code	Description	Q.ty	Variants
28	GU92201225	Bearing 25x52x15	1	
29	GU19203460	Bearing fixing plate	1	
30	GU98054314	Screw	3	
31	GU14217901	Washer 6,4x10x0,7	3	
32	GU98610330	Screw M6x30	11	
33	GU98610435	Screw	5	
34	GU98610450	Screw	1	
35	GU61270300	Spring washer 8x15x0,3	6	
36	GU31003766	Oil unload plug M10X1	1	
37	GU95004210	Washer 10,2x18x2	1	

Assembly	ENGINE
Code	34.35
Description	Bosch ignition
Revision	1



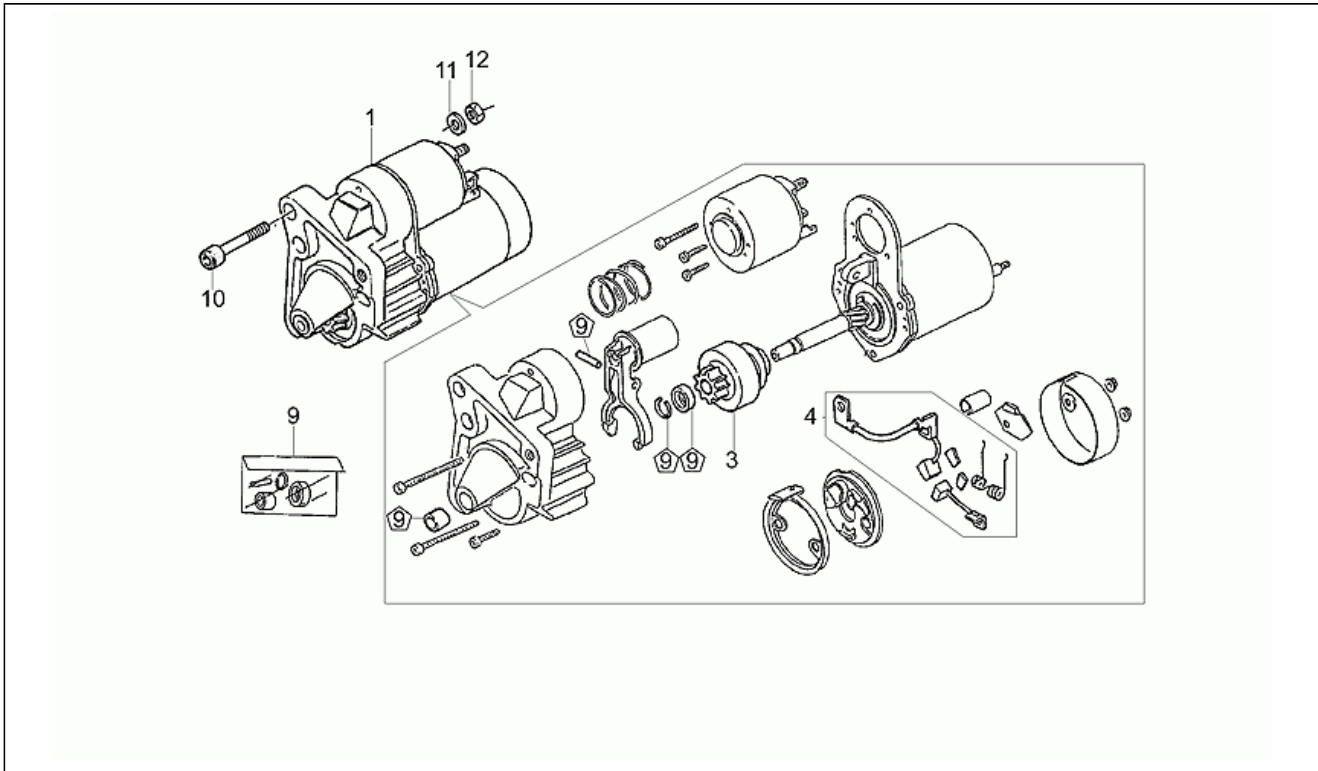
Pos.	Code	Description	Q.ty	Variants
1	GU17712400	Bosch alternator	1	
2	GU14712459	Screw	1	
3	GU98620245	Hex socket screw M5X45	3	
4	GU95021105	Notched washer	3	
5	GU17719900	Repairing kit	1	
6	GU29703800	Voltage regulator BOSCH	1	
7	GU92630206	Nut M6x1	2	
8	GU98230612	Screw	2	
9	GU95129100	Spring washer 5,3X10X0,5	4	
10	GU95100118	Washer 6,2X18X1	4	
11	GU17704300	Bosch rectifier	1	
12	GU14704205	Cover	1	
13	GU98052245	Screw	4	
14	GU95000206	Washer	2	
15	GU91180627	Spacer	4	
16	GU92630105	Nut	4	

Assembly	ENGINE
Code	34.36
Description	Ducati ignition
Revision	1



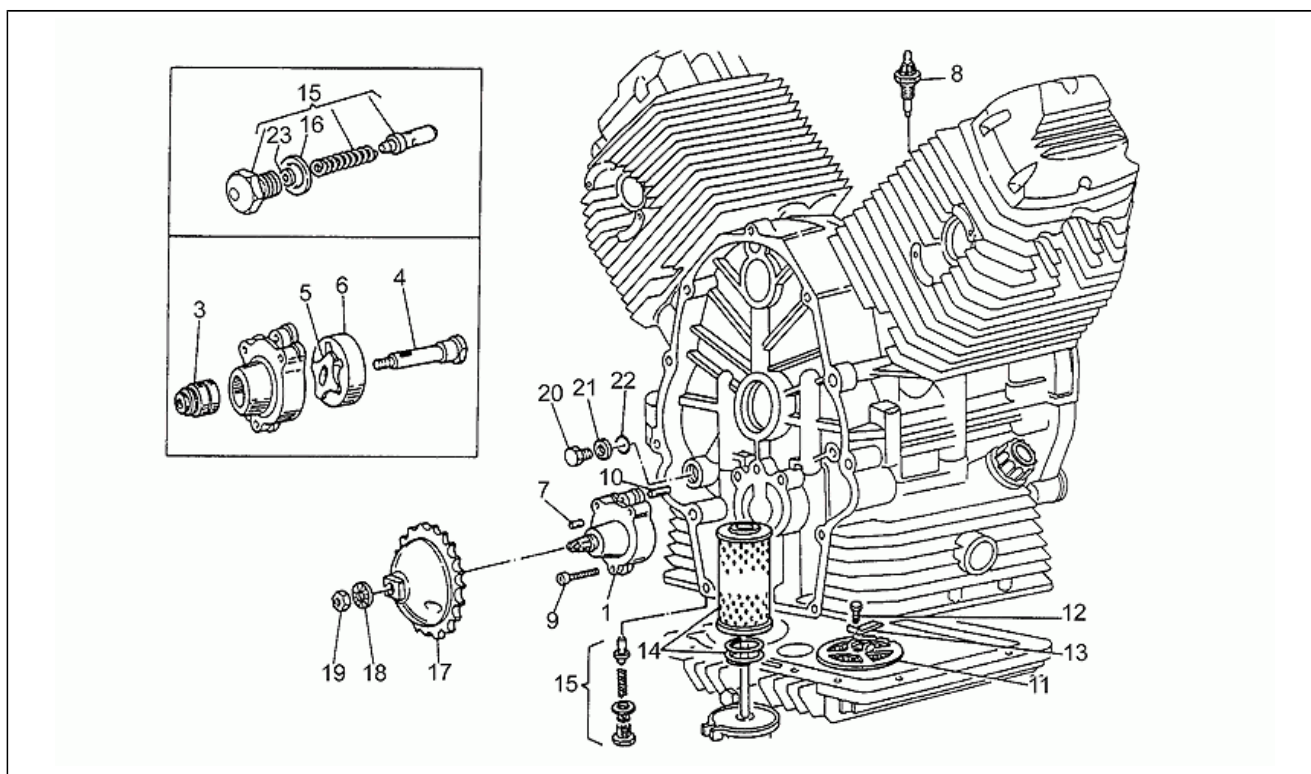
Pos.	Code	Description	Q.ty	Variants
1	GU37712405	Generator	1	
2	GU37703805	Voltage regulator	1	
3	GU30714201	Washer 16,25x24,5x5	1	
4	GU92603516	Nut M16X1,5	1	
5	GU29711460	Front calotte	1	
6	GU98620265	Screw	3	
7	GU29217960	Washer 5,9X3X0,8	3	
8	GU90706178	O-ring 17,86X2,62	1	
9	GU31712365	Spacer	1	
10	GU91600450	Transmission key	1	
11	GU29711960	Rear cap	1	
12	GU98622320	Screw	2	
13	GU95001206	Washer	2	
14	GU92660601	Captive nut	2	

Assembly	ENGINE
Code	34.38
Description	Starter motor
Revision	1



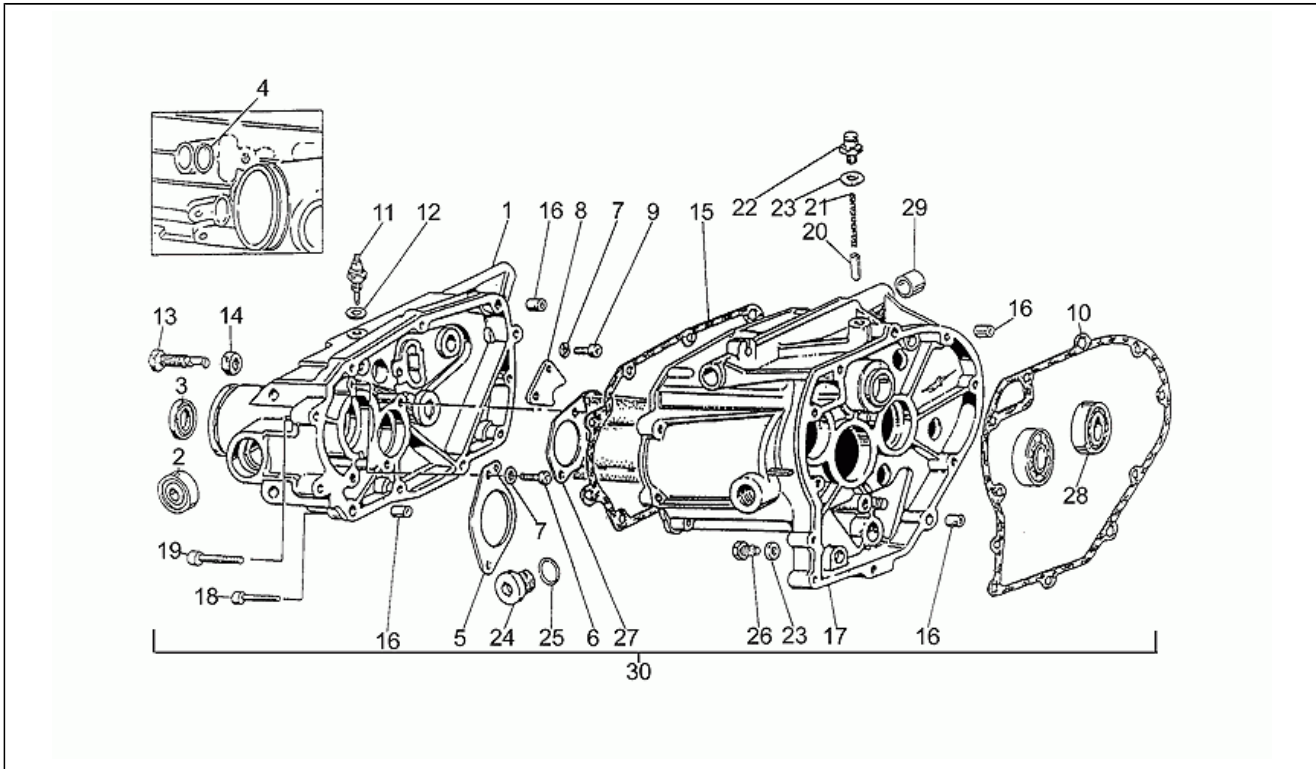
Pos.	Code	Description	Q.ty	Variants
1	GU30730711	Starter motor Valeo	1	
3	GU30530510	Pinion assy	1	
4	GU30530511	Brush revision set	1	
9	GU30530512	Starter motor revision kit	1	
10	GU98052435	Hex screw M8X35	2	
11	GU95004208	Washer	2	
12	GU92602208	Nut M8X1,25	2	

Assembly	ENGINE
Code	34.39
Description	Oil pump
Revision	1



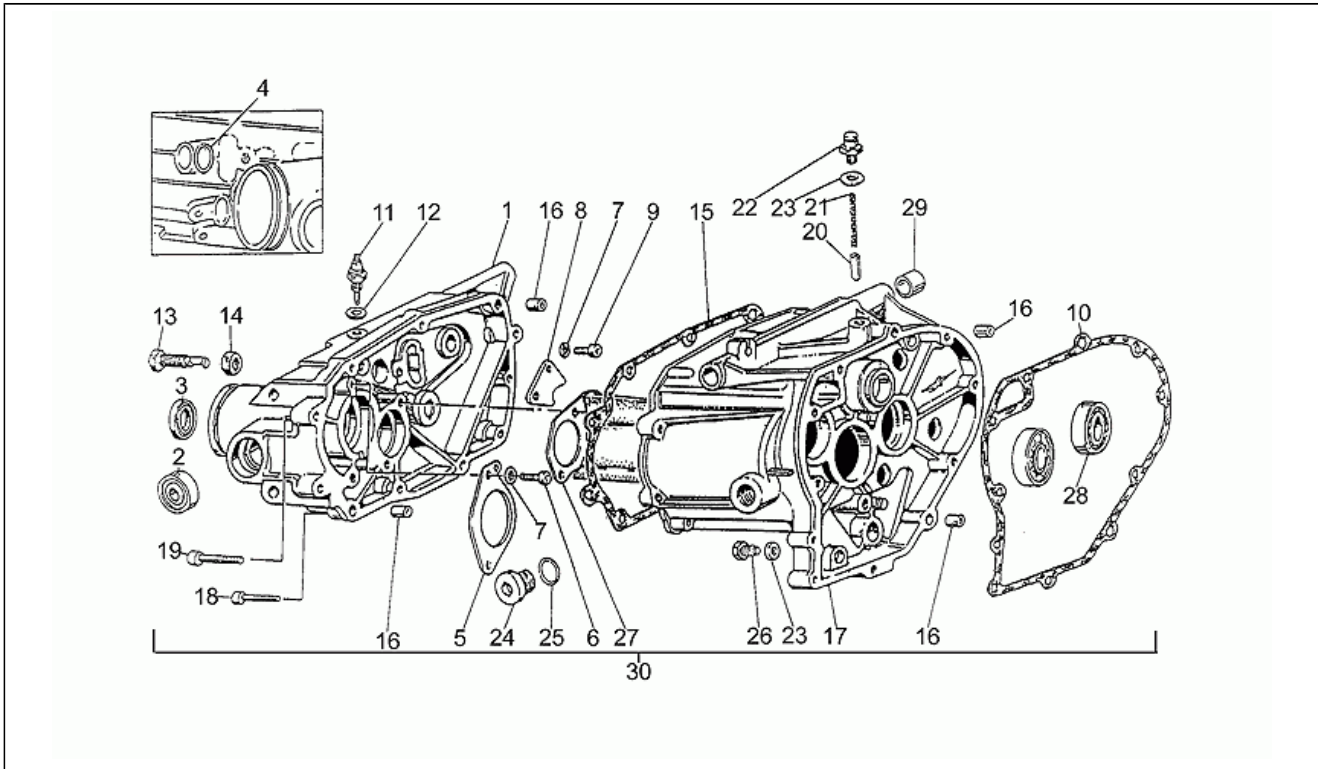
Pos.	Code	Description	Q.ty	Variants
1	GU19146422	Oil pump	1	
3	GU92252210	Roller bearing 10x22x20	1	
4	GU20147810	Oil pump shaft assy.	1	
5	GU20148410	Inner rotor	1	
6	GU20148610	Outer rotor	1	
7	GU92296726	Guide roller	1	
8	GU31999581	Pressure sensor	1	Technical Specifications: See spare parts comm.n.022 of 2001[02201N]
9	GU98620335	Screw M6X35	3	
10	GU19018920	Pin	2	
11	GU19152200	Oil filter	1	
12	GU98054314	Screw	1	
13	GU95187006	Plate	1	
14	GU27153085	Oil filter	1	
15	GU31158250	Oil pressure valve	1	
16	GU18144350	Washer 18,25x24x1	3	
17	GU20147710	Pump gear	1	
18	GU19149800	Washer 10,5x16x1	1	
19	GU92602510	Nut M10x1,25	1	
20	GU31016050	Plug	1	
21	GU18161150	Gasket 14,25	1	
22	GU90706111	O-ring	1	
23	GU95004206	Washer 6,15x11x0,8	1	

Assembly	ENGINE
Code	34.40
Description	Transmission cage
Revision	1



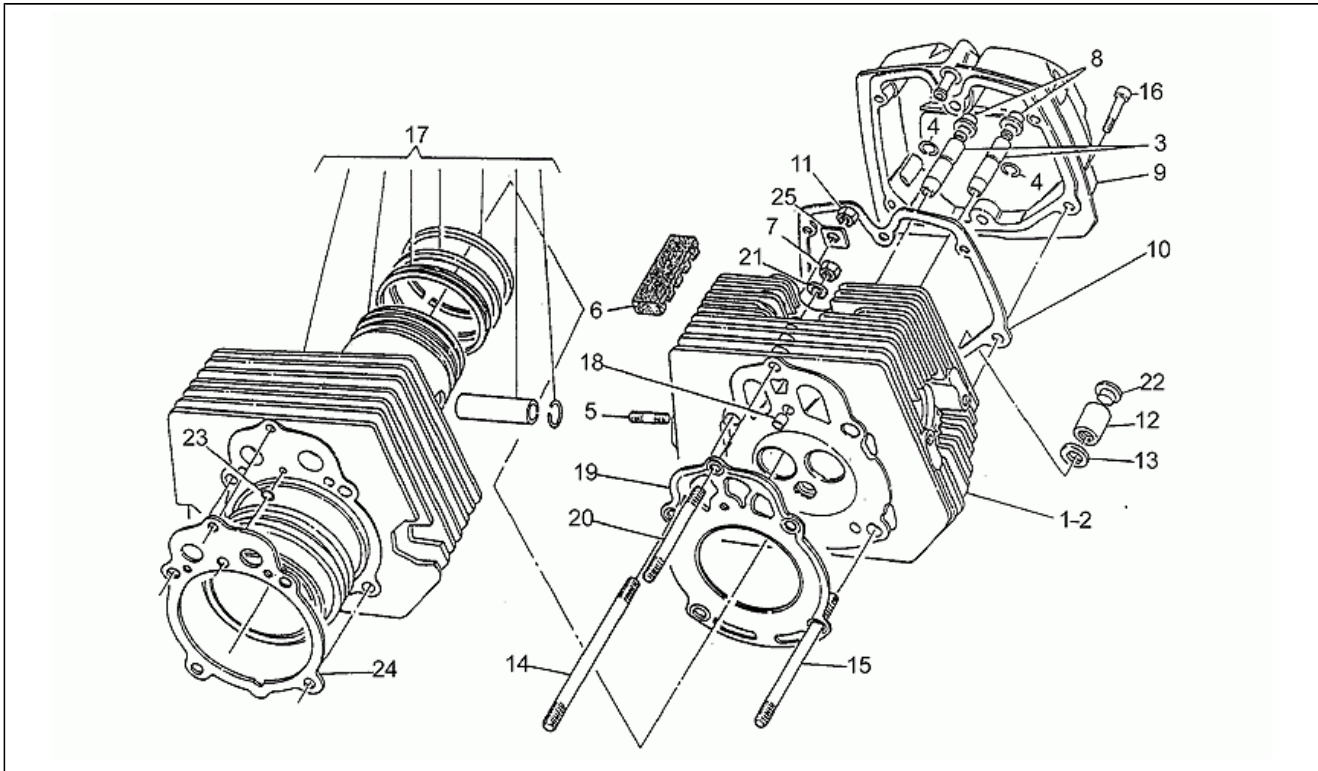
Pos.	Code	Description	Q.ty	Variants
1	GU31200831	Box cover	1	
2	GU92204215	Bearing 15x35x11	2	
3	GU90402841	Gasket ring 28x40x7	1	
4	GU90706140	O-ring 13,95x2,92	1	
5	GU23213870	Plate	1	Technical Specifications: Until gear >GP16327[C1]
5	GU23213872	Plate	1	Technical Specifications: From gear GP16328[C2]
6	GU98622314	Screw	4	
7	GU14217901	Washer 6,4x10x0,7	6	
8	GU19235800	Plate	1	
9	GU98622314	Screw	2	
10	GU23200370	Gasket	1	
11	GU19207220	Sensor	1	
12	GU12154200	Gasket 8,25x15x1	1	
13	GU19237800	Screw M12x1,25	1	
14	GU92602512	Low nut M12x1,25	1	
15	GU19201120	Gasket	1	
16	GU19002020	Bush 6,6x9x13	4	
17	GU31200231	Transmission cage	1	
18	GU98610330	Screw M6x30	5	
18	GU98610335	Hex socket screw M6x18	2	
19	GU98610435	Screw	4	
20	GU55234700	Pawl	1	
21	GU94321067	Lever return spring	1	
22	GU31206500	Breather plug	1	
23	GU10528900	Gasket	2	
24	GU31351200	Oil filler plug	1	
25	GU90706203	O-ring 20,24x2,62	1	
26	GU31003766	Oil unload plug M10X1	1	

Assembly	ENGINE
Code	34.40
Description	Transmission cage
Revision	1



Pos.	Code	Description	Q.ty	Variants
27	GU19208220	Oil bulhead	1	Technical Specifications: Until gear >GP16327[C1]
27	GU23208272	Oil bulhead	1	Technical Specifications: From gear GP16328[C2]
28	GU92201120	Ball bearing 20x42x12	1	
29	GU19202320	Bush 10,25x15,7x8	1	
30	GU23991572	Transmission cage	1	

Assembly	ENGINE
Code	34.41
Description	Cylinder head
Revision	1



Pos.	Code	Description	Q.ty	Variants
1	GU31022131	RH head	1	
2	GU31022231	LH head	1	
3	GU61036801	Valve guide	4	
4	GU90353009	Snap ring	4	
5	GU96506042	Stud bolt	4	
6	GU19025300	Anti-vibration plate	4	
7	GU19021920	Nut	2	
8	GU19037820	Oil seal	4	
9	GU31023531	Valves cover	2	
10	GU19023700	Gasket	2	
11	GU92603010	Nut M10X1,5	4	
12	GU31021900	Nut	4	
13	GU95129180	Washer 10,5X18X0,8	4	
14	GU96510214	Stud bolt M10x214	4	
15	GU96510181	Stud bolt M10x182	4	
16	GU98610325	Screw	12	
17	GU31060131	Cylinder with piston	2	
18	GU19021360	Bush	2	
19	GU27022060	Gasket	2	
20	GU96508145	Stud bolt M8x143	2	
21	GU61270300	Spring washer 8x15x0,3	2	
22	GU93180245	Plug	4	
23	GU61027200	O-ring	2	
24	GU27020820	Gasket	2	
25	GU19032980	Spacer	4	